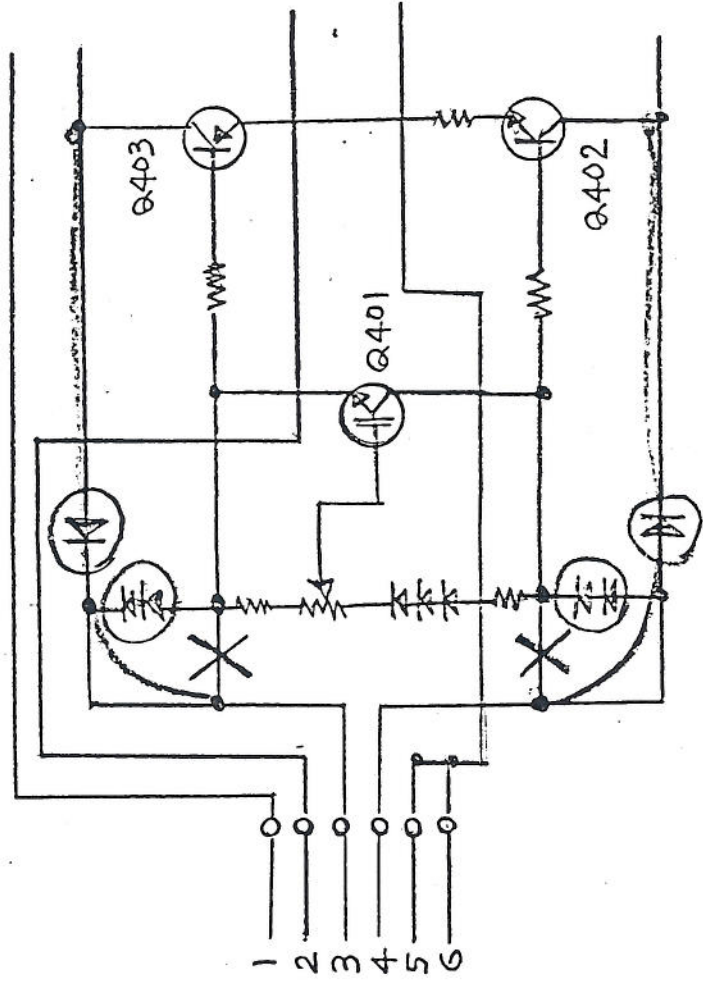
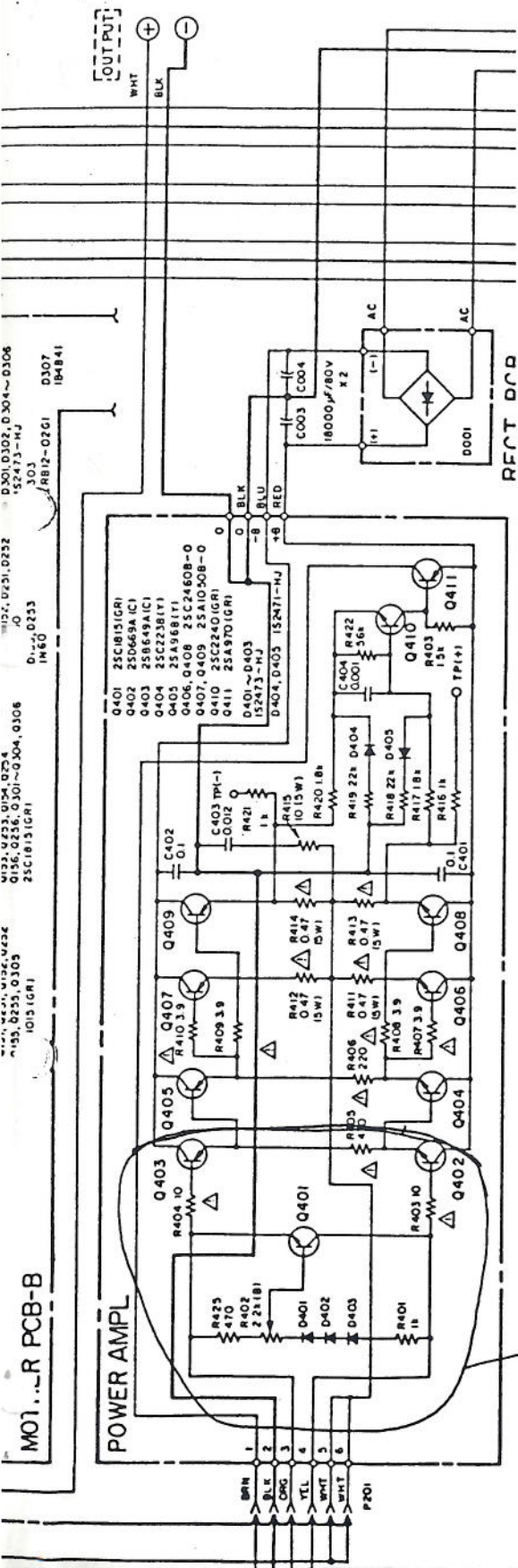
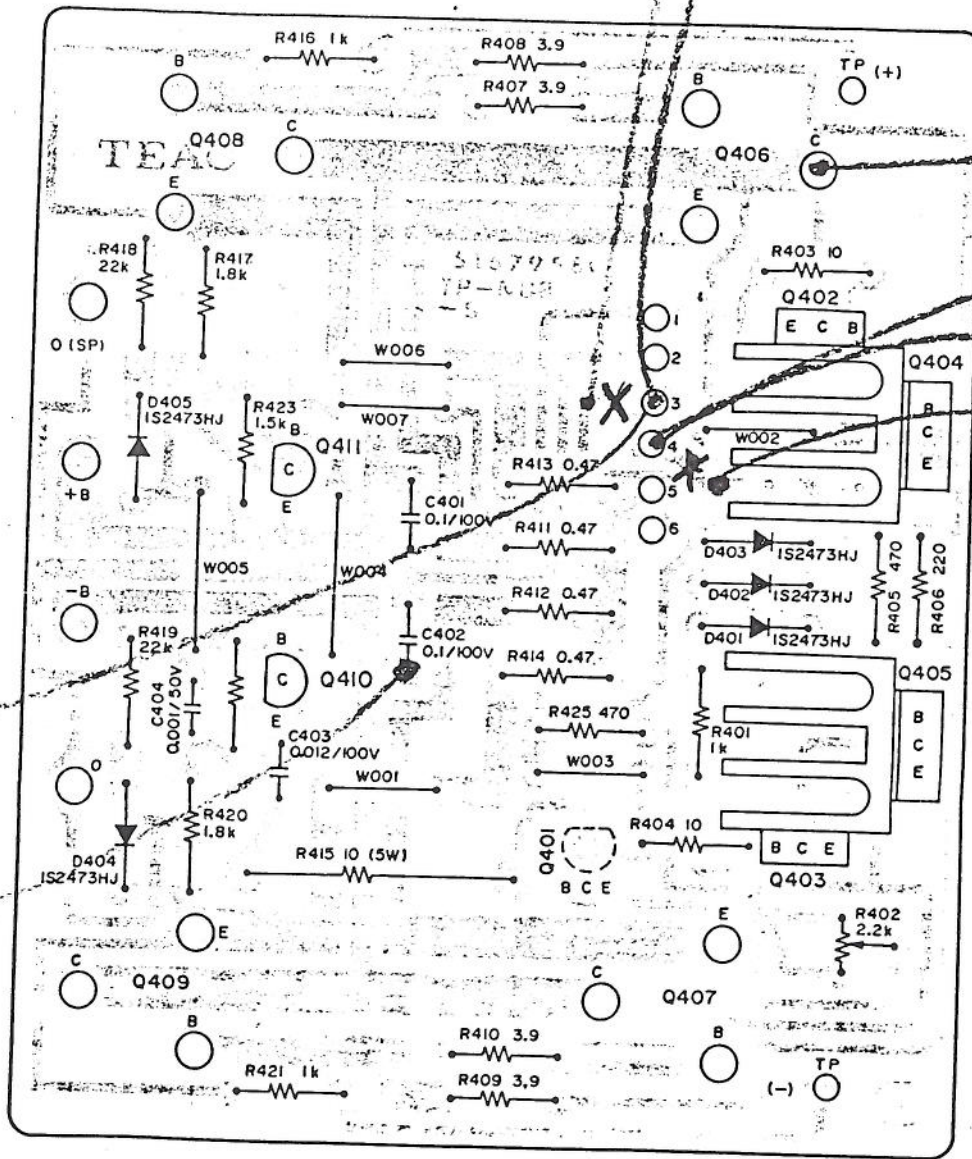


Modification on Power Amp PCB Assy



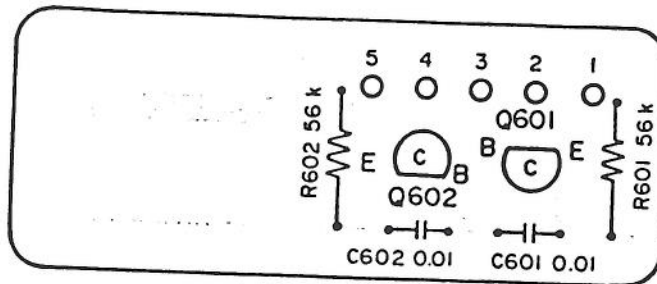
POWER AMPL PCB ASSY



P-1076

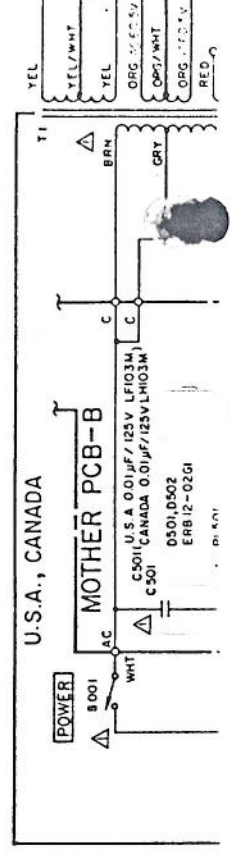
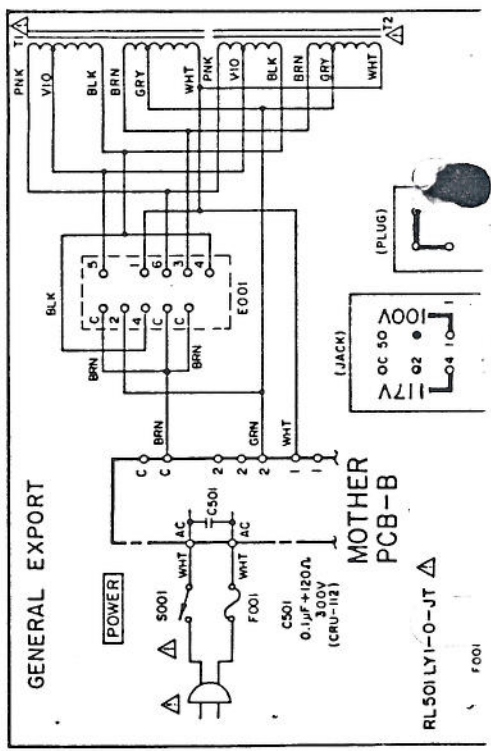
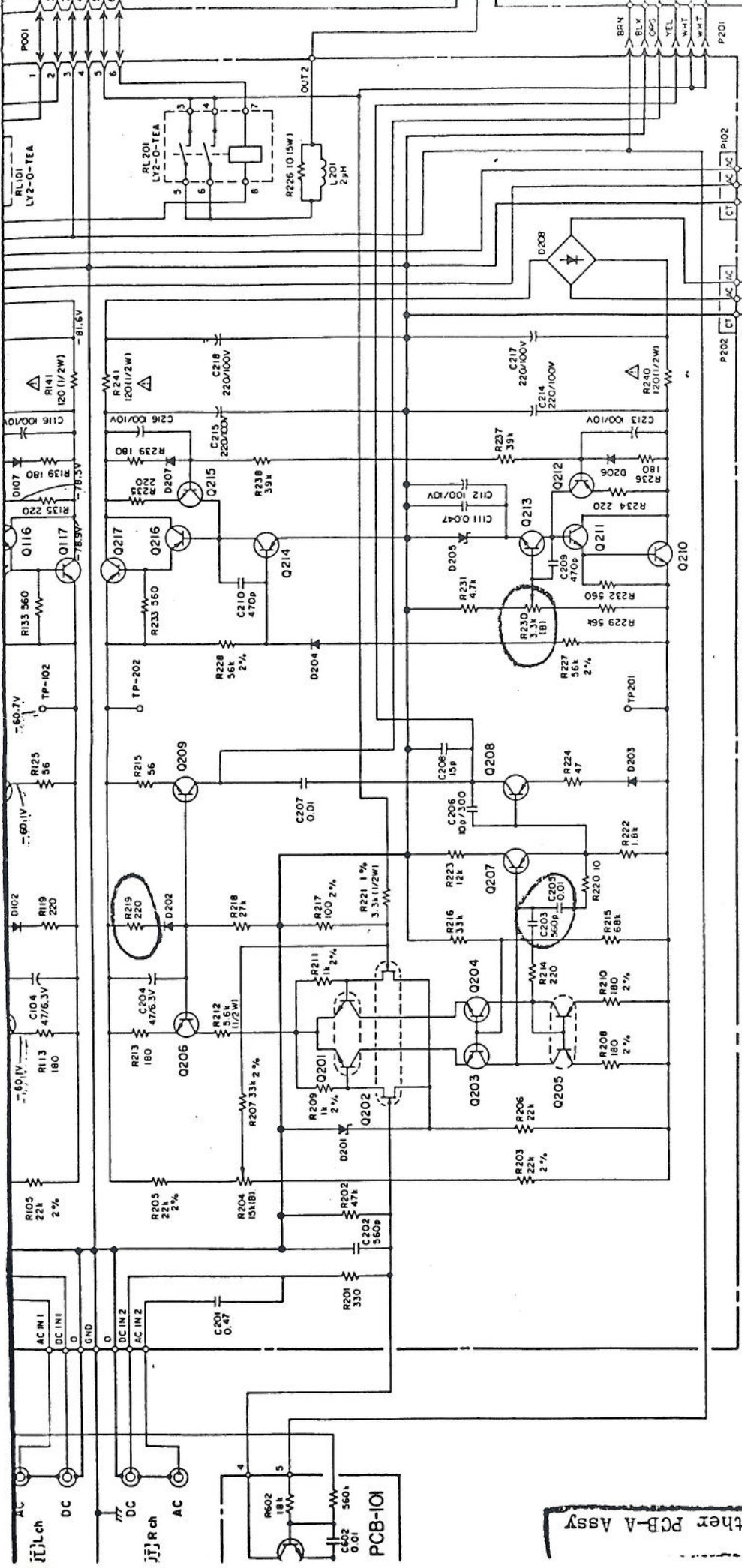
Cut the PCB pattern at X points and bridge it with 6 diode per channel.

LIMITER PCB ASSY



P-1077

Modification on Mother PCB-A Assy



Modification Procedure on MA-7 Power Amplifire

1. Replace 4 power transistors Q407/Q409, Q406/Q408.
Q407/Q409 --- 2SA1050B-0 - 2SA1073
Q406/Q408 --- 2SC2460B-0 - 2SC2523
2. Replace 2 resistors and 4 capacitors on the Mother PCB-A Assy.
R119/R219 --- 220 ohm - 150 ohm
C103/C203 --- 560PF - 0.0027uF (Mylar)
C105/C205 --- 0.001uF - 0.01uF
3. Turn the VR130/VR230 3.3Kohm potentiometer on the Mother PCB-A Assy fully clockwise.
4. Make circuit modification of Power Amplifire PCB Assy refer to the illustration and circuit diagram attached.