

INTEGRATED STEREO AMPLIFIER

TA-1055

*US, Canadian, AEP, UK
and E Model*

SUPPLEMENT

No. 1
November, 1973

Subject: Modification of TA-1055

TA-1055 (USA, Canada, AEP, and UK Model) has been modified. This supplement contains revised diagrams and the changed and additional electrical parts list. File this supplement with TA-1055 Service Manual (USA, Canada, AEP, UK and E Model).

Note: E Model applies to this supplement from the sets with the serial number 400,001

The existing TA-1055 Service Manual (USA, Canada, AEP, UK and E Model) is valid except the followings:

<u>Page*</u>	<u>Section</u>	<u>Description</u>
9	3	REPACKING
10	4-1	Front Subchassis Wiring Diagram
11	4-2	Mounting Diagram
13	4-3	Schematic Diagram
16	5	EXPLODED VIEWS (1)
17	5	EXPLODED VIEWS (2)
18	6	ELECTRICAL PARTS LIST ▲

* Pages in TA-1055 Service Manual (USA, Canada, AEP, UK and E Model)

▲ Parts which are listed in TA-1055 Service Manual but not mentioned in this supplement remain valid.

Applicable Serial Number:

USA Model	No. 804,001 and later
Canada Model	No. 701,301 and later
AEP Model	No. 513,301 and later
UK Model	No. 652,501 and later
E Model	No. 400,001 and later

SONY®
SERVICE MANUAL

TABLE OF CONTENTS

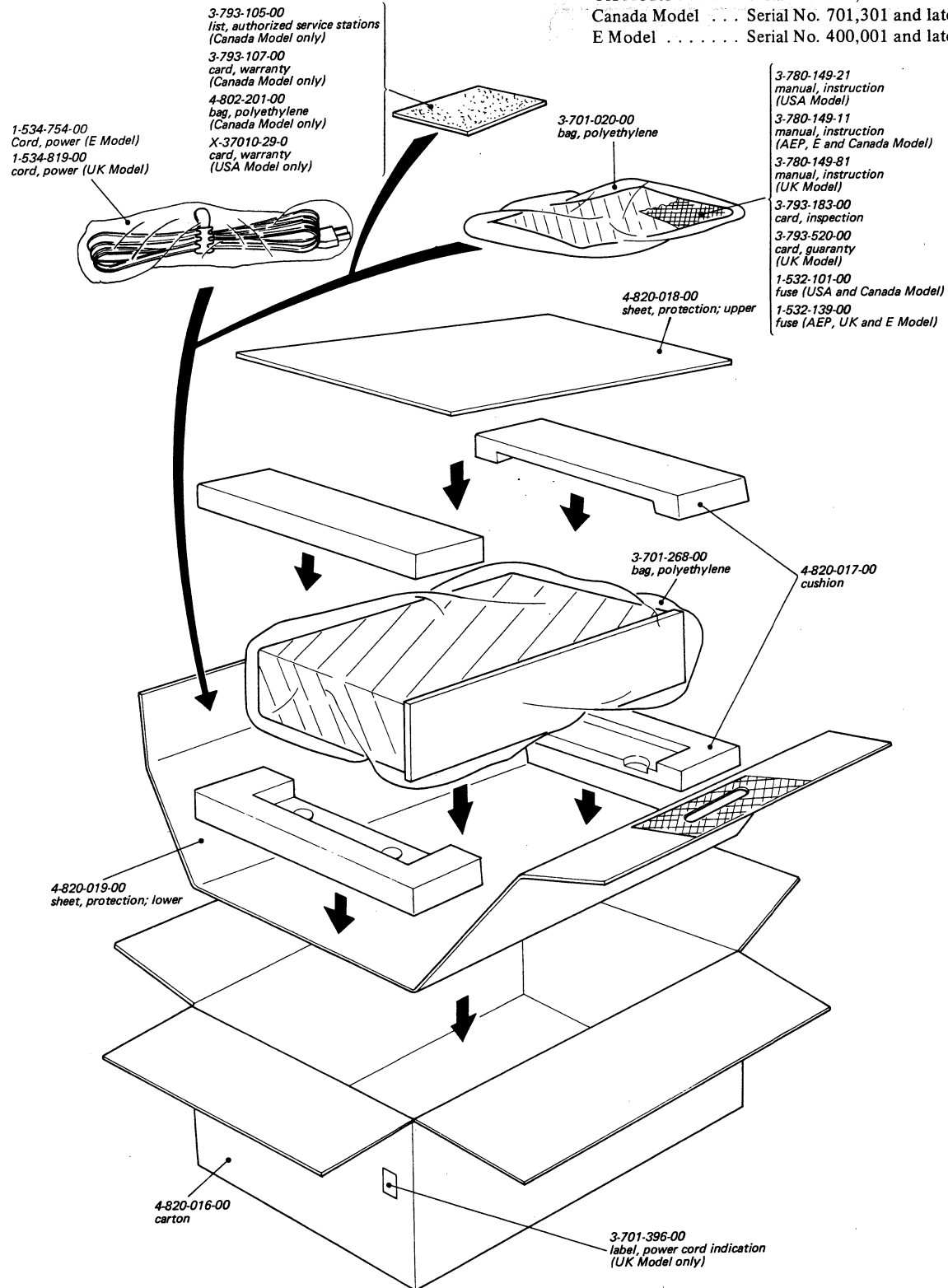
<u>Section</u>	<u>Description</u>	<u>Page</u>
1.	REPACKING	1
2.	DIAGRAMS	
2-1.	Front Subchassis Wiring Diagram	2
2-2.	Mounting Diagram	3
2-3.	Schematic Diagram	5
3.	EXPLODED VIEWS	7
4.	ELECTRICAL PARTS LIST	
4-1.	Changed Electrical Parts	9
4-2.	Additional Electrical Parts	9

SECTION 1
REPACKING

The original shipping carton and packing materials are ideal containers for shipping the unit. For the maximum protection, the amplifier must

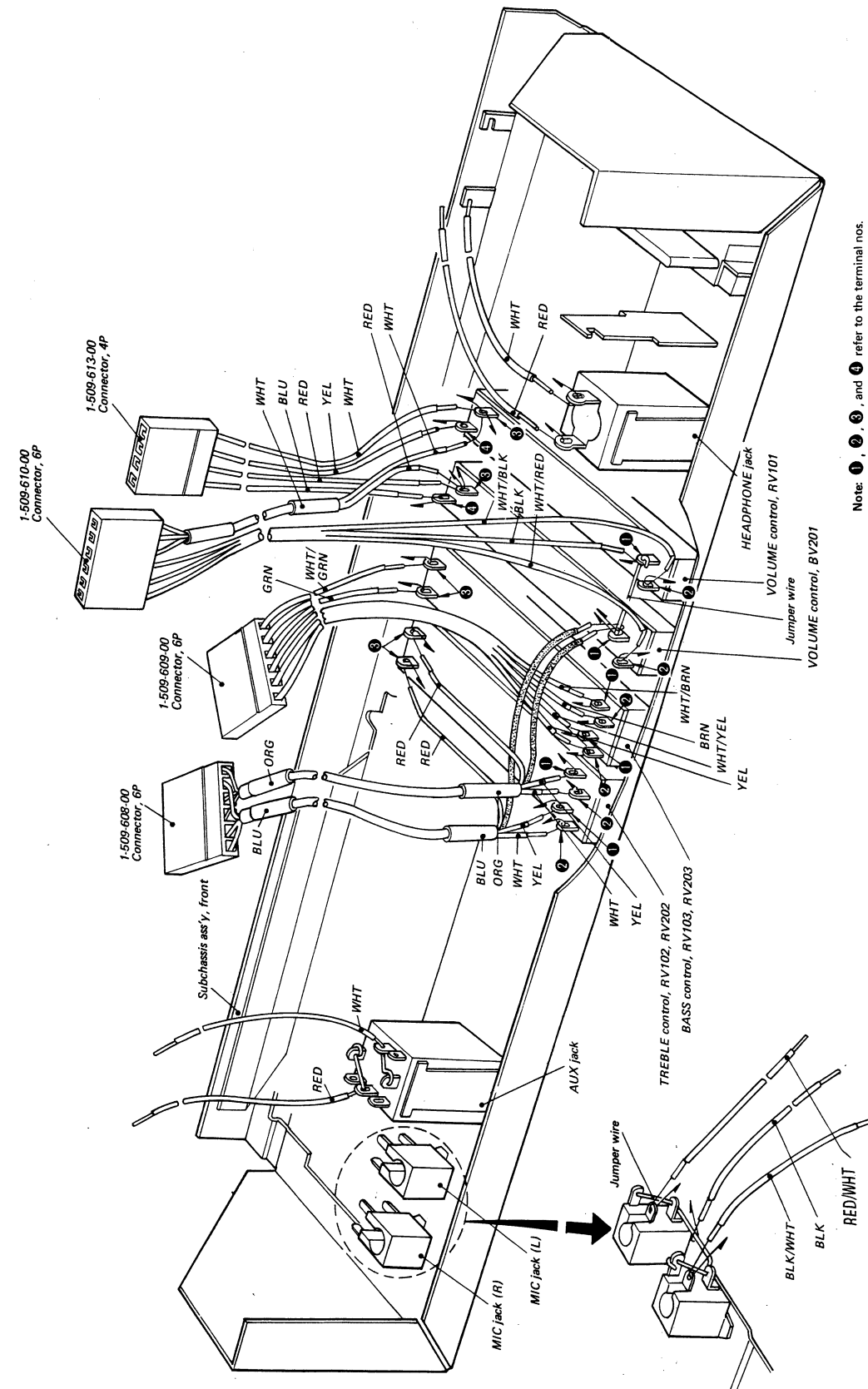
be repacked in these materials precisely as before as shown in the figure below.

Note: USA Model Serial No. 804,001 and later
 AEP Model Serial No. 513,301 and later
 UK Model Serial No. 652,501 and later
 Canada Model Serial No. 701,301 and later
 E Model Serial No. 400,001 and later



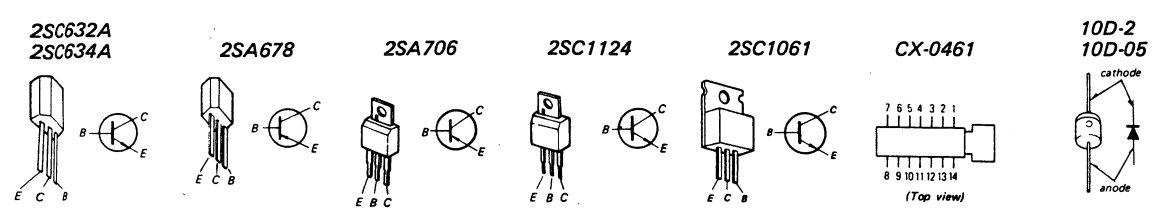
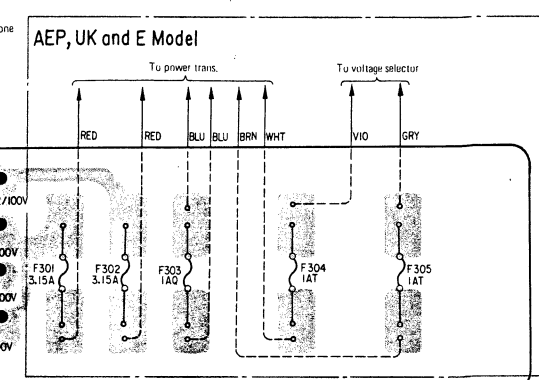
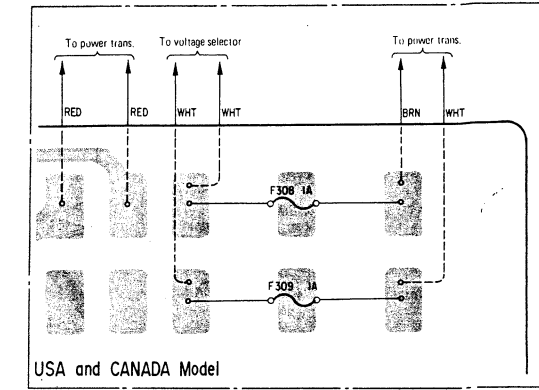
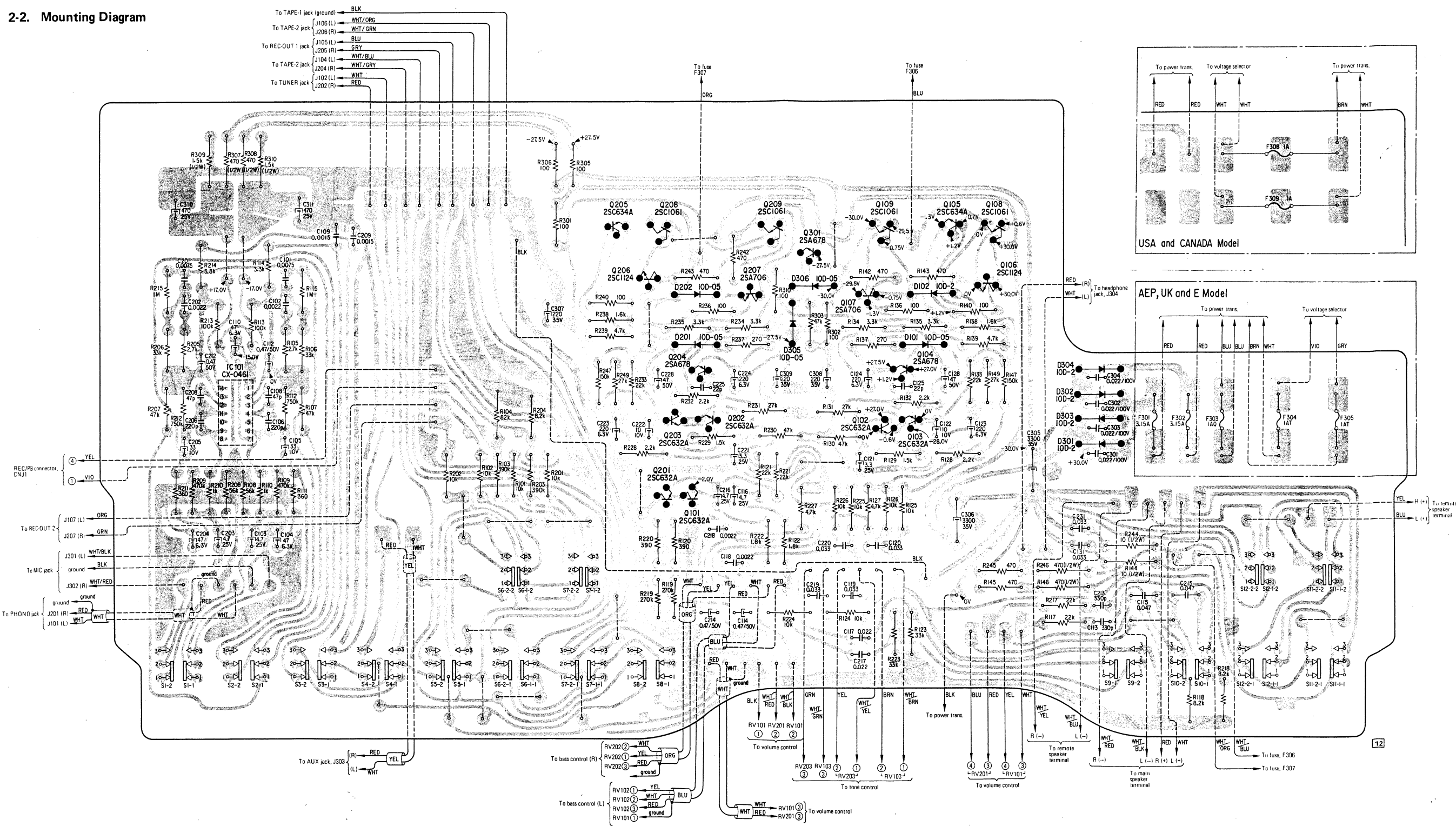
SECTION 2
DIAGRAMS

2-1. Front Subchassis Wiring Diagram



Note: 1, 2, 3, and 4 refer to the terminal nos. in the wiring diagrams (VOLUME and TONE controls) on page 6.

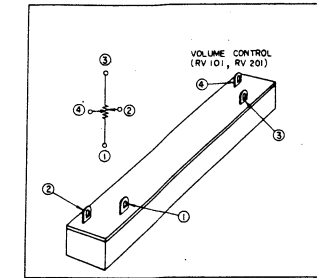
2-2. Mounting Diagram



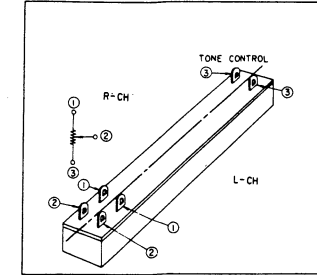
TA-1055 TA-1055

2.3. Schematic Diagram

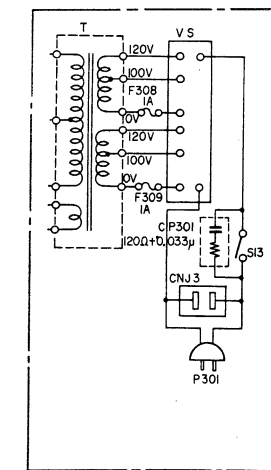
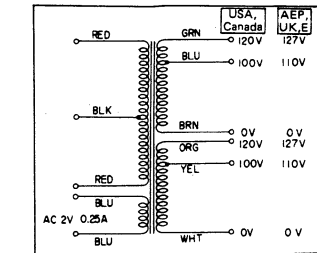
VOLUME Control Wiring



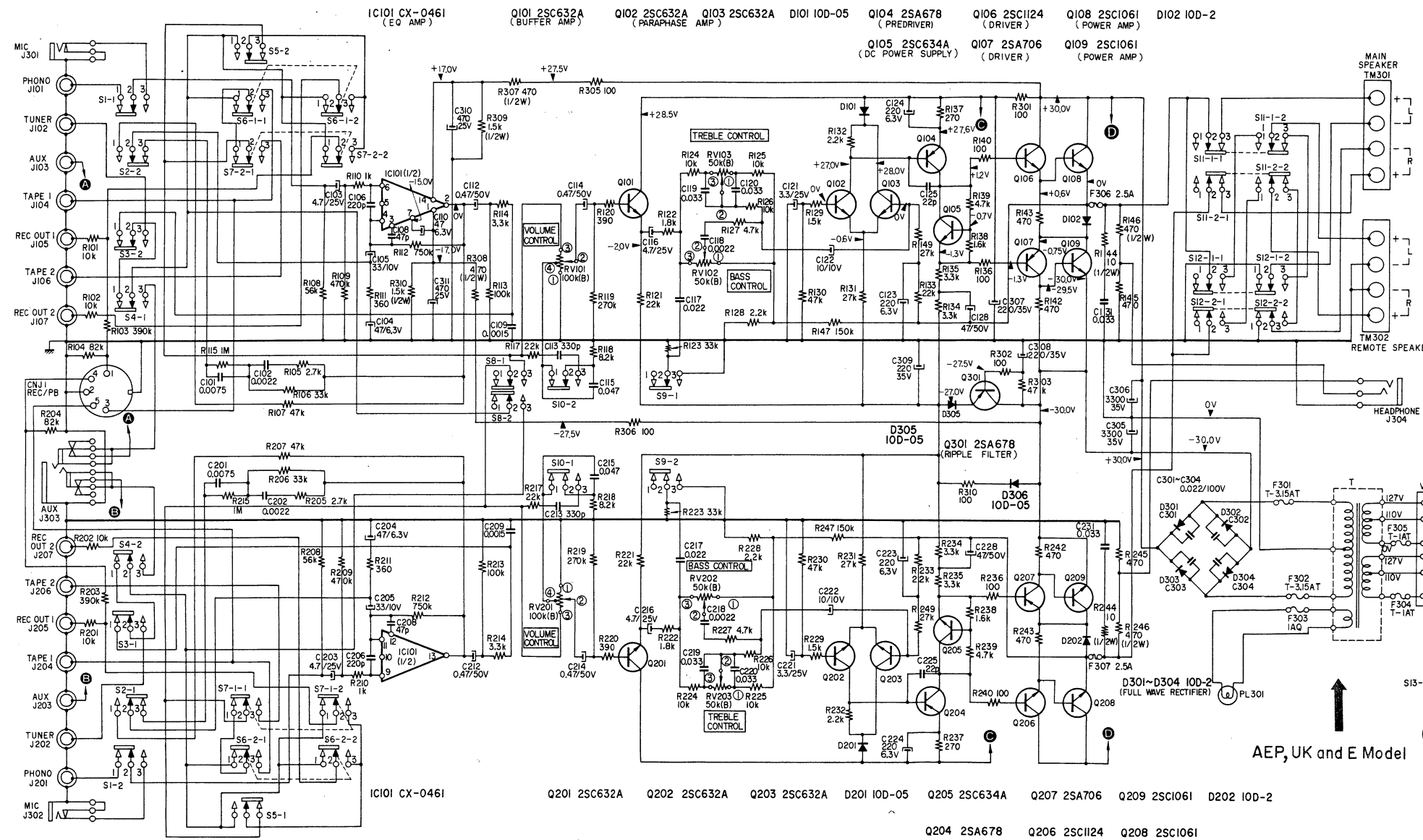
TONE Control Wiring



Power Transformer Wiring



USA and Canada Model



AEP, UK and E Model

Ref. No.	Description	Position	Ref. No.	Description	Position
S1, S2	FUNCTION SW (PHONO-MIC)	PHONO	S8	MODE SW (STEREO-MONO)	STEREO
S3	FUNCTION SW (TUNER ON/OFF)	OFF	S9	HIGH FILTER SW	OFF
S4	FUNCTION SW (AUX ON/OFF)	OFF	S10	LOUDNESS SW	OFF
S5	MONITOR SW (TAPE-SOURCE)	SOURCE	S11	MAIN SPEAKER SW	ON
S6	MONITOR SW (TAPE 1-SOURCE)	SOURCE	S12	REMOTE SPEAKER SW	OFF
S7	MONITOR SW (TAPE 2-SOURCE)	SOURCE	S13	POWER SW	OFF

Note: All resistance values are in ohms. k = 1000, M = 1000 k.
 All capacitance values are in μF except as indicated with p, which means μM F.
 All voltages are dc measured with a VOM having 20 k ohms/volt input impedance. No signal in.
 Voltage variations may be noted due to normal production tolerances.

Applicable Serial No.

USA Model	804,001 and later
Canada Model	701,301 and later
AEP Model	513,301 and later
UK Model	652,501 and later
E Model	400,001 and later

SECTION 4

ELECTRICAL PARTS LIST

4-1. Changed Electrical Parts

	<u>Ref. No.</u>	<u>Former Part No.</u>	<u>New Part No.</u>	<u>Description of New Parts</u>
COMPLETE CIRCUIT BOARD*		8-982-680-29	{ A-4404-001-A A-4404-002-A	Preamp/Power amp/Power supply Board (USA and Canada Model) Preamp/Power amp/Power supply Board (AEP, UK and E Model)
CAPACITORS	C107 (C207)	1-102-110-11	-----	- deleted -
	C305	1-123-048-11	1-123-118-11	3,300 μ F 35 V electrolytic
	C306	1-123-048-11	1-123-118-11	3,300 μ F 35 V electrolytic
	C307	1-121-261-11	1-121-063-11	220 μ F 35 V electrolytic
	C308	1-121-261-11	1-121-063-11	220 μ F 35 V electrolytic
	C309	1-121-411-11	1-121-063-11	220 μ F 35 V electrolytic
	C310	1-121-416-11	1-121-733-11	470 μ F 25 V electrolytic
	C311	1-121-416-11	1-121-733-11	470 μ F 25 V electrolytic
RESISTORS	R108 (R208)	1-244-713-11	1-244-715-11	56 k
	R109 (R209)	1-244-742-11	1-244-737-11	470 k
SWITCHES		{ 1-516-136-00 1-516-138-00	1-516-260-00 1-516-261-00	switch, lever/seesaw, POWER (AEP, UK and E Model) switch, lever/seesaw; POWER (USA and Canada Model)
MISCELLANEOUS	CNJ2	1-509-445-00	1-509-546-00	connector, ac input; 3 p (AEP, UK and E Model only)
	J101, J103 (J201, J203)	1-507-353-00	1-507-430-00	jack, phono; 6 p
	J104, J107 (J204, J207)	1-507-354-00	1-507-429-00	jack, phono; 8 p
	TM301 } TM302 }	1-536-284-00	1-536-446-00	board, terminal; 4 p

* The former and the new circuit boards are not interchangeable.

4-2. Additional Electrical Parts

<u>Part No.</u>	<u>Description</u>
1-508-648-00	connector, 4 P (male)
1-508-649-00	connector, 6 P (male)
1-508-650-00	connector, 10 P (male)
1-509-607-00	connector, 10 P; INPUT (female)
1-509-608-00	connector, 6 P; TREBLE (female)
1-509-609-00	connector, 6 P; BASS (female)
1-509-610-00	connector, 6 P; VOLUME (female)
1-509-611-00	connector, 6 P; SPEAKER (female)
1-509-612-00	connector, 4 P; REC OUT (female)
1-509-613-00	connector, 4 P; LOUDNESS (female)
1-534-819-00	cord, power (UK Model only)

TA-1055

9-958-019-81

Sony Corporation
© 1974

77J0505-4
Printed in Japan