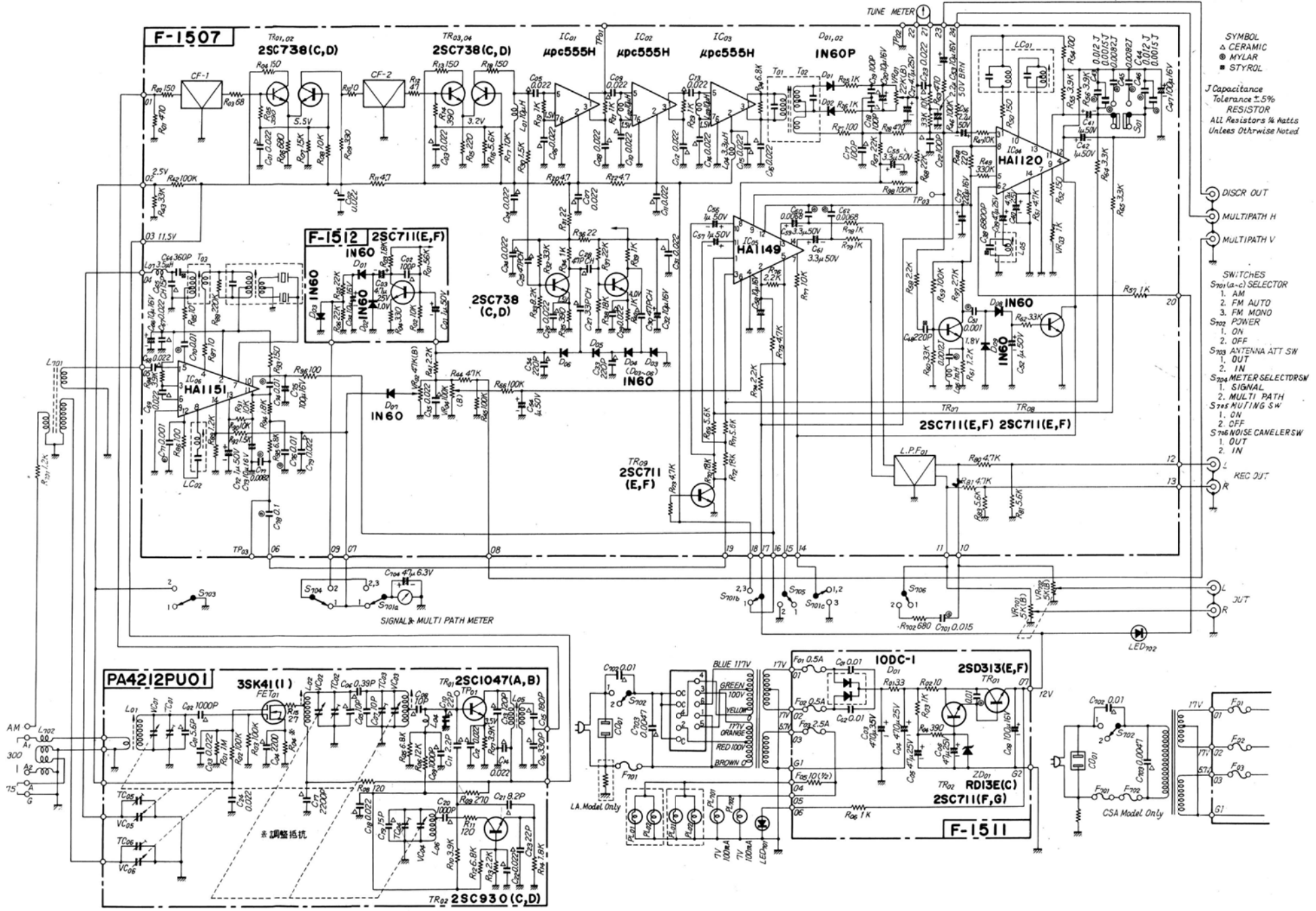


SCHEMATIC DIAGRAM

* Design and specifications subject to change without notice for improvements.



SYMBOL
 △ CERAMIC
 ○ MYLAR
 ■ STYROL

J Capacitance
 Tolerance ±5%
 RESISTOR
 All Resistors ¼ Watts
 Unless Otherwise Noted

DISC OUT
 MULTIPATH H
 MULTIPATH V

SW:ChES
 S701(a-c) SELECTOR
 1. AM
 2. FM AUTO
 3. FM MONO
 S702 POWER
 1. ON
 2. OFF
 S703 ANTENNA ATT SW
 1. OUT
 2. IN
 S704 METER SELECTOR SW
 1. SIGNAL
 2. MULTI PATH
 S705 MUTEING SW
 1. ON
 2. OFF
 S706 NOISE CANELERSW
 1. OUT
 2. IN

REC DJT
 12
 13
 20
 11
 10
 19
 18
 17
 16
 15
 14

LED702
 17V
 01
 02
 03
 04
 05
 06
 07
 08
 09
 10
 11
 12
 13
 14
 15
 16
 17
 18
 19
 20

*調整括弧

L.A. Model Only

CSA Model Only