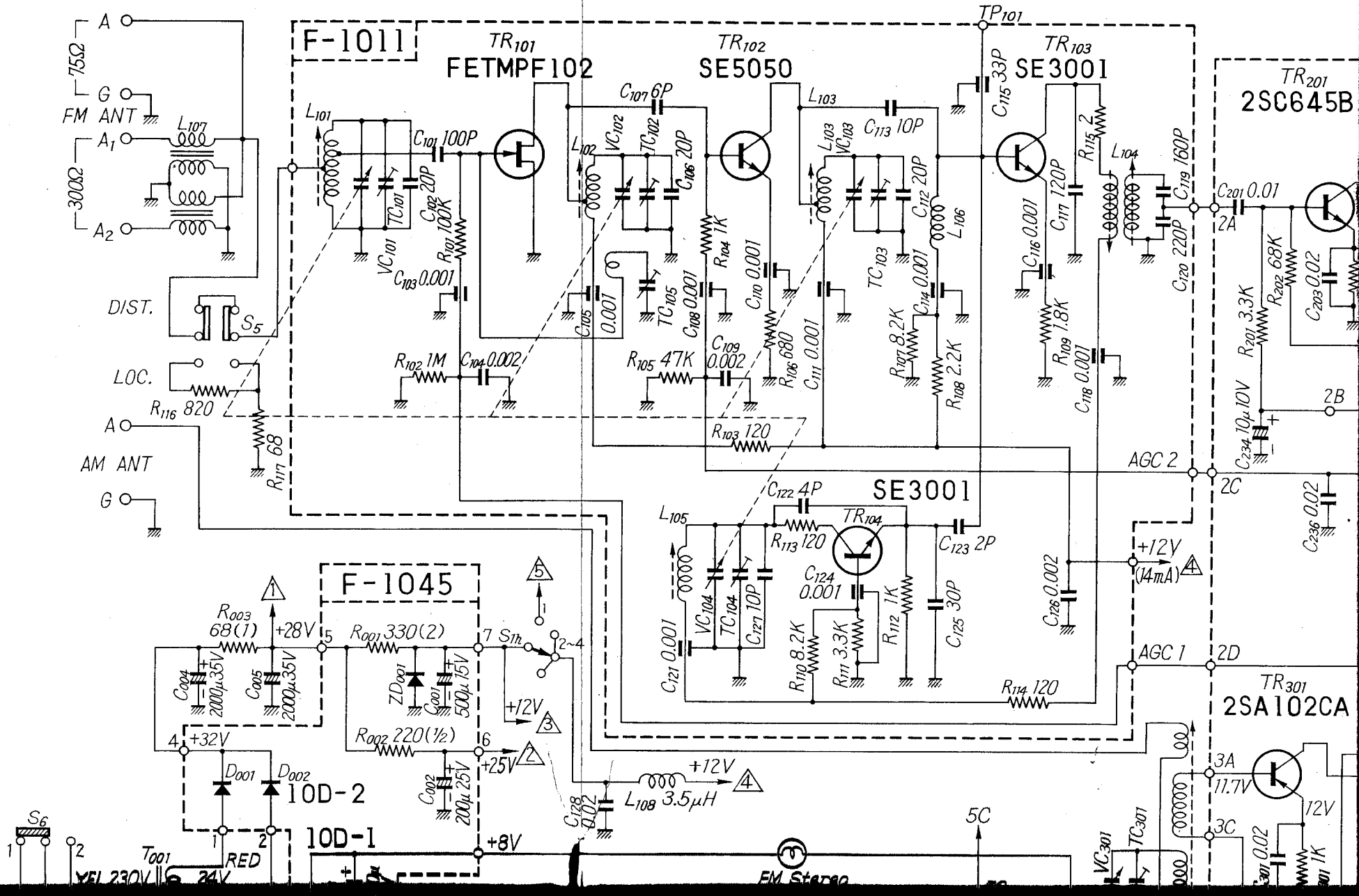
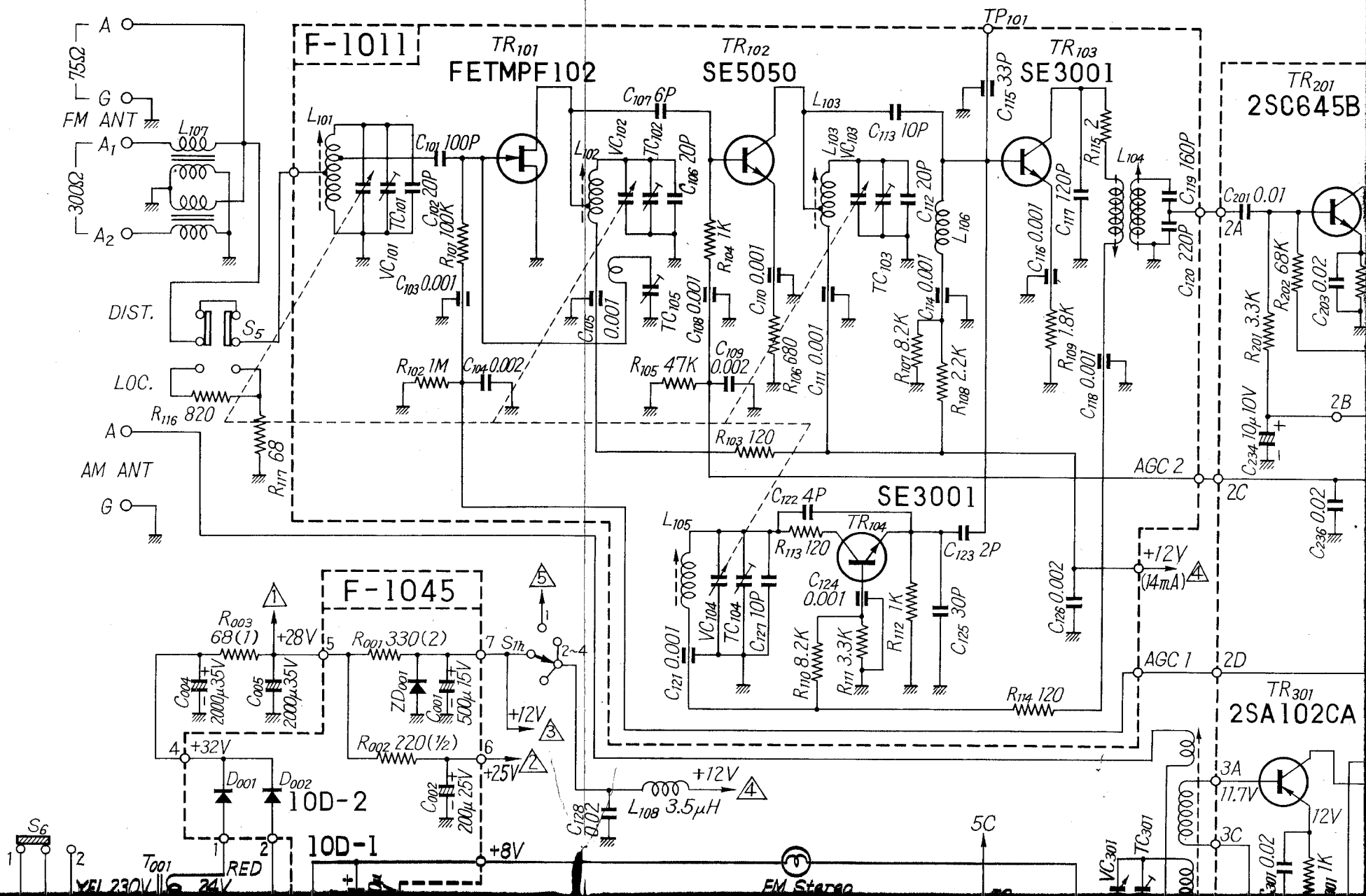


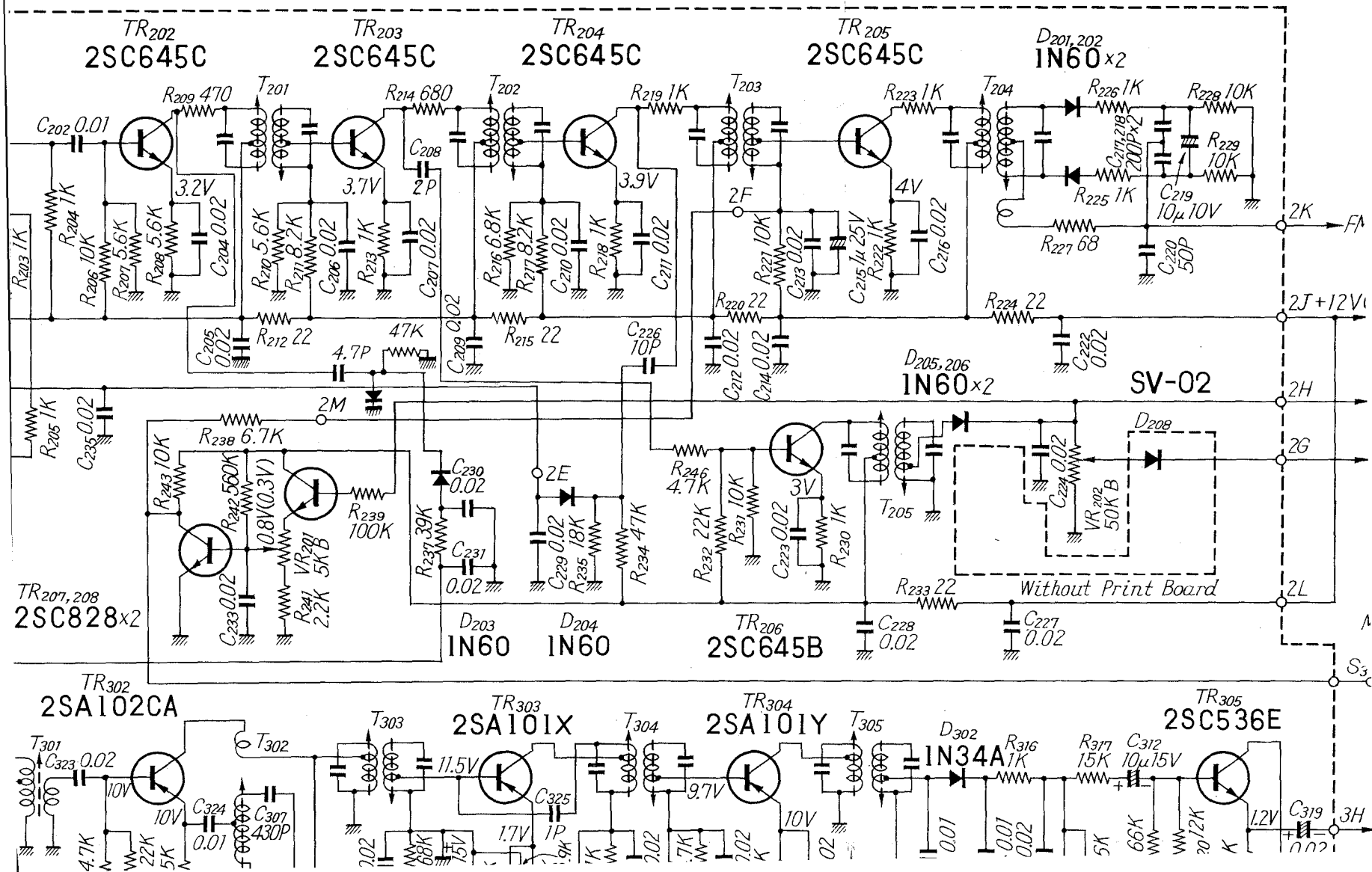
SANSUI TU-777 SCH

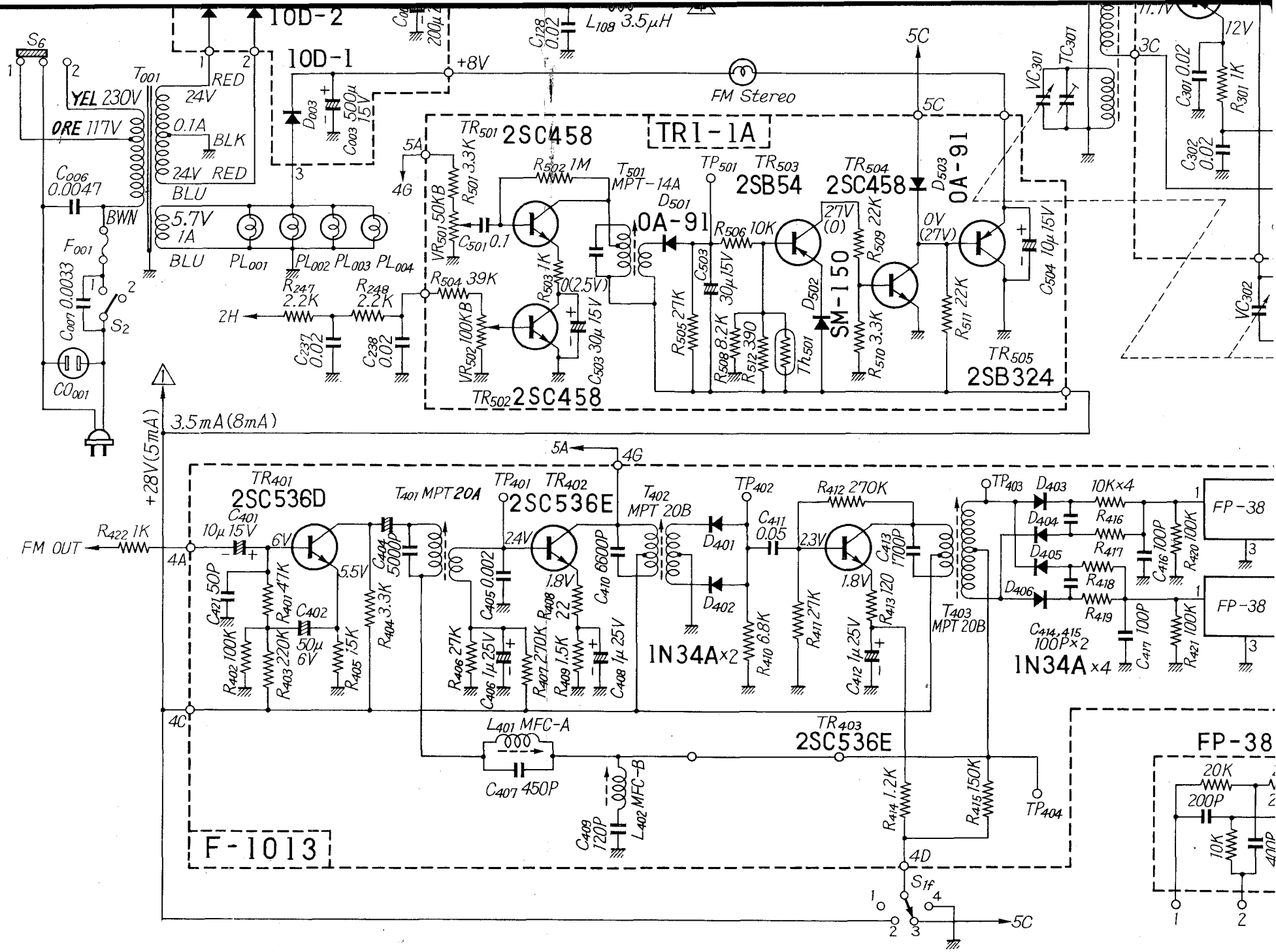


SANSUI TU-777 SCH

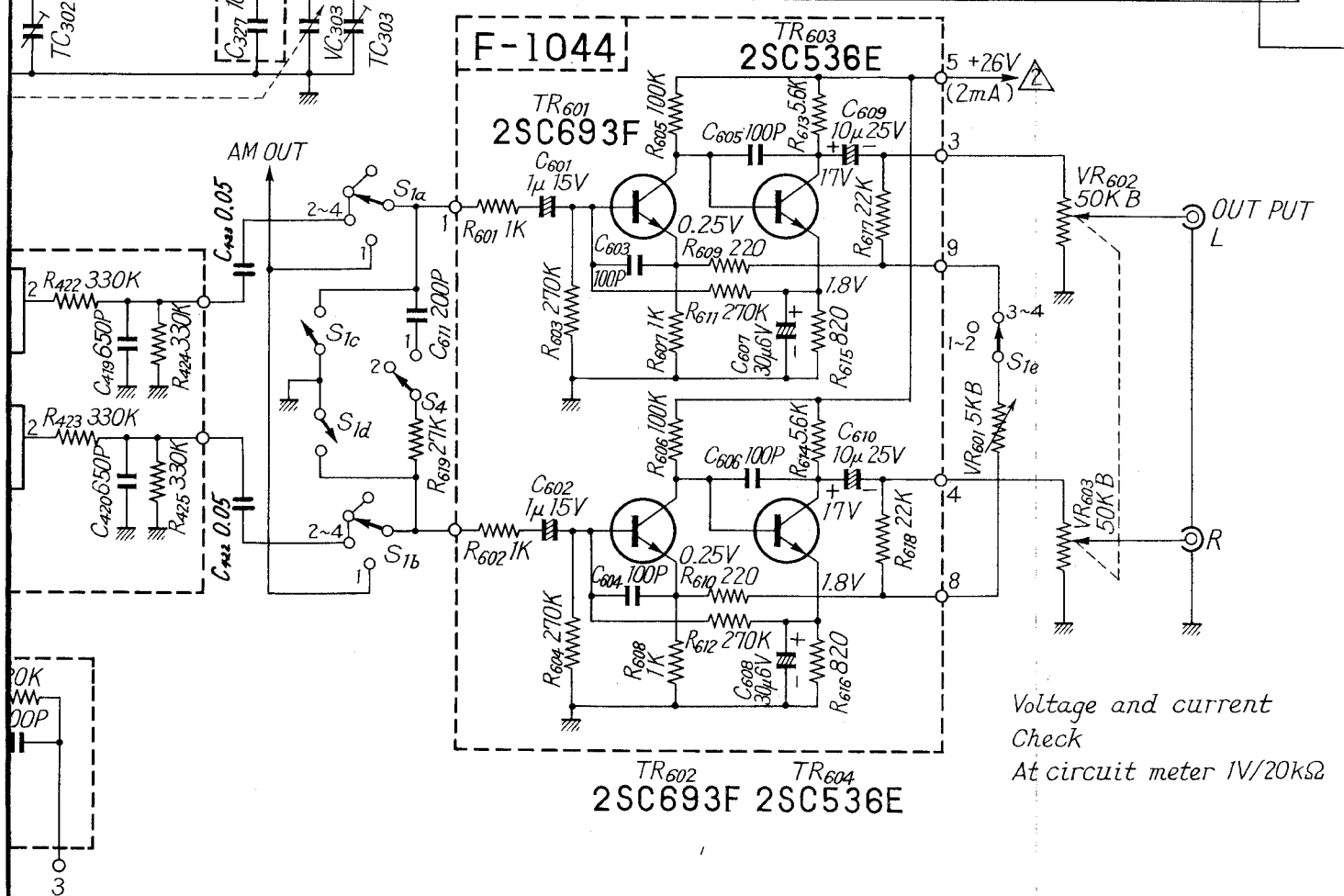
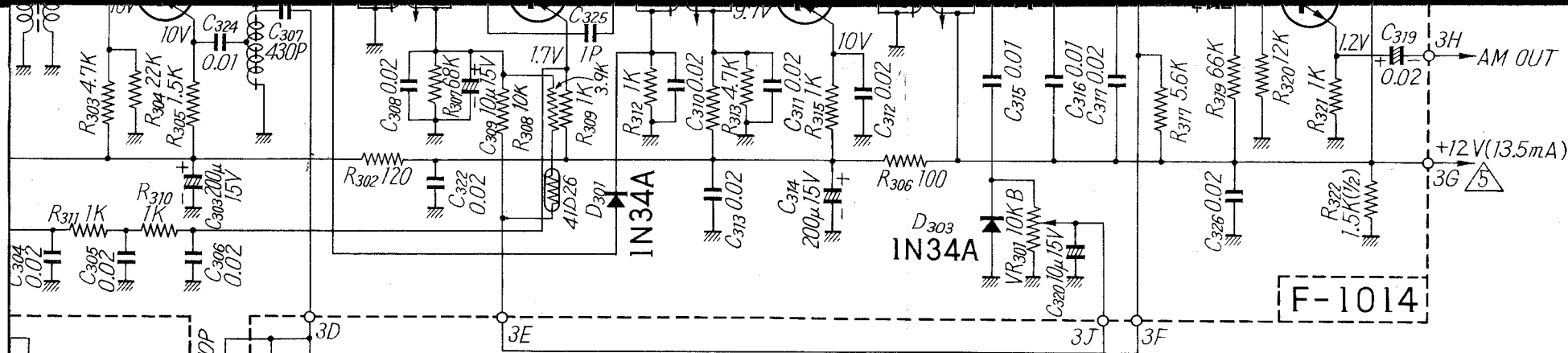


SCHEMATIC DIAGRAM



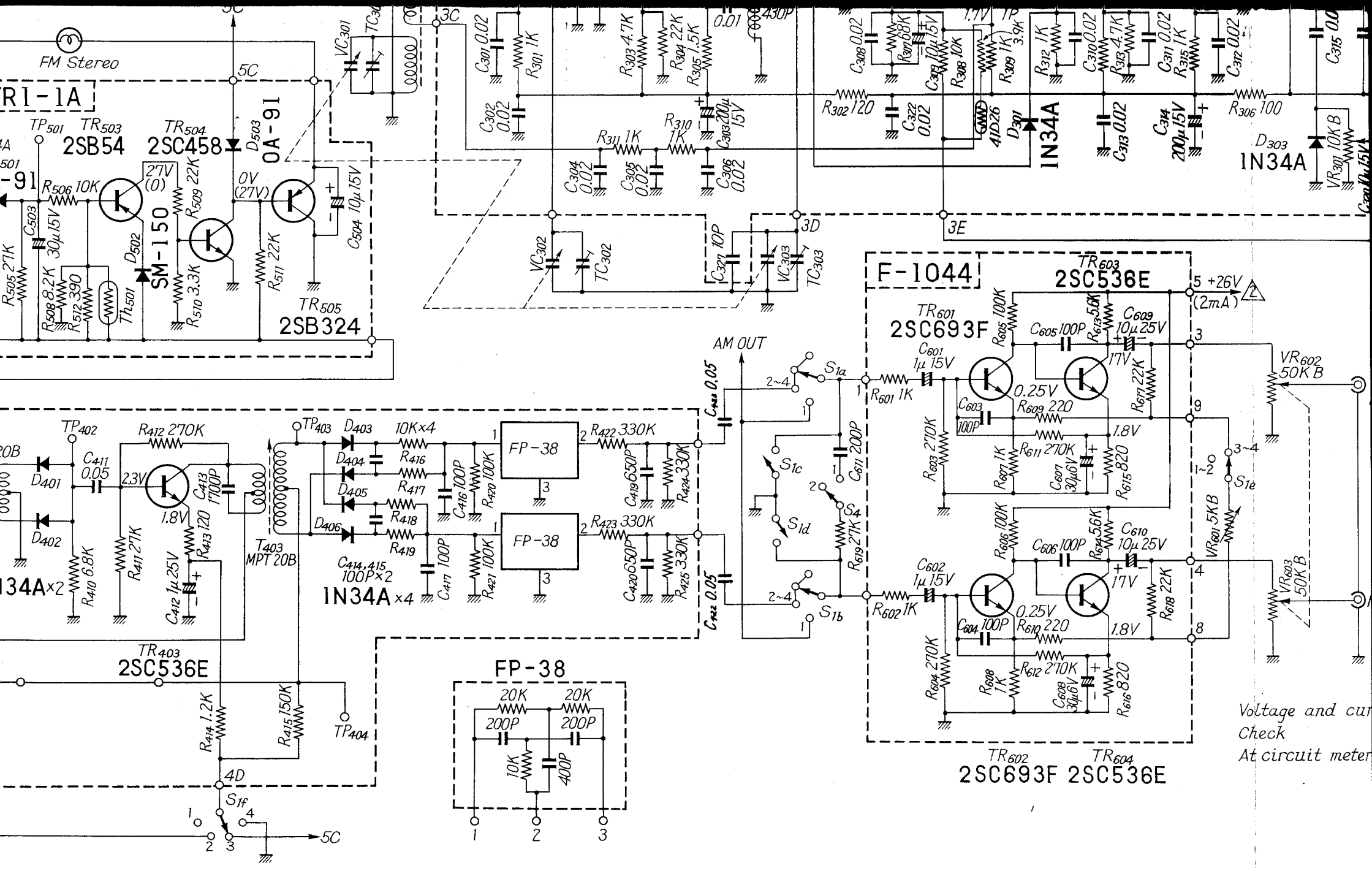


* All rights reserve specifications subject to change without notice.



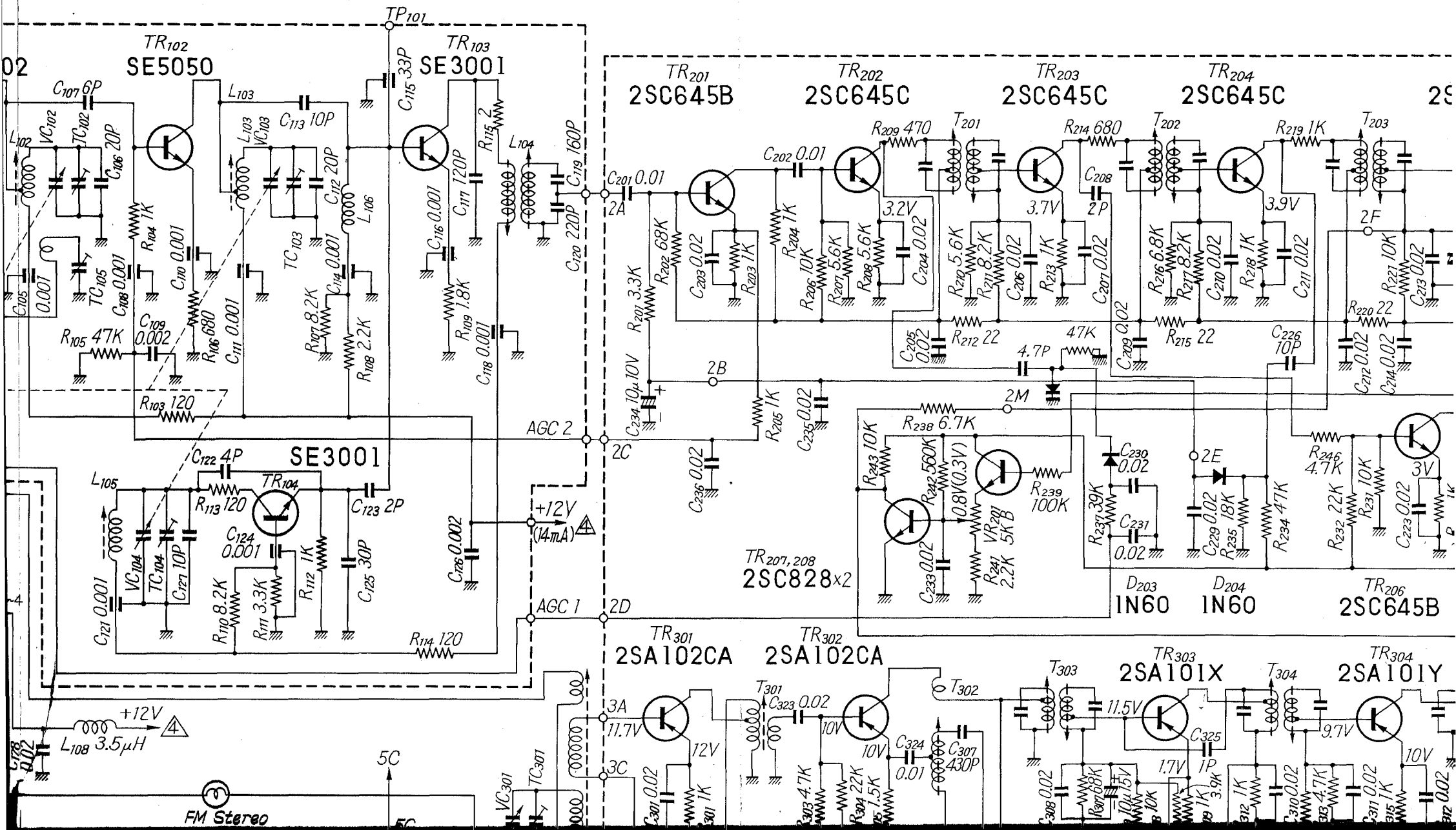
- 2~4 → FM Meter
- Tuning Meter
- S_1 SELECTOR (a~h)
- 1 AM
 - 2 FM-MONO
 - 3 FM-AUTO
 - 4 FM-STEREO
- S_2 POWER
- 1 ON
 - 2 OFF
- S_3 MUTING
- 1 ON
 - 2 OFF
- S_4 MPX NOISE CANCELER
- 1 ON
 - 2 OFF
- S_5 ANT ATT
- 1 DIST
 - 2 LOC
- S_6 POWER
- 1 117V
 - 2 220V~240V

Voltage and current
Check
At circuit meter 1V/20kΩ

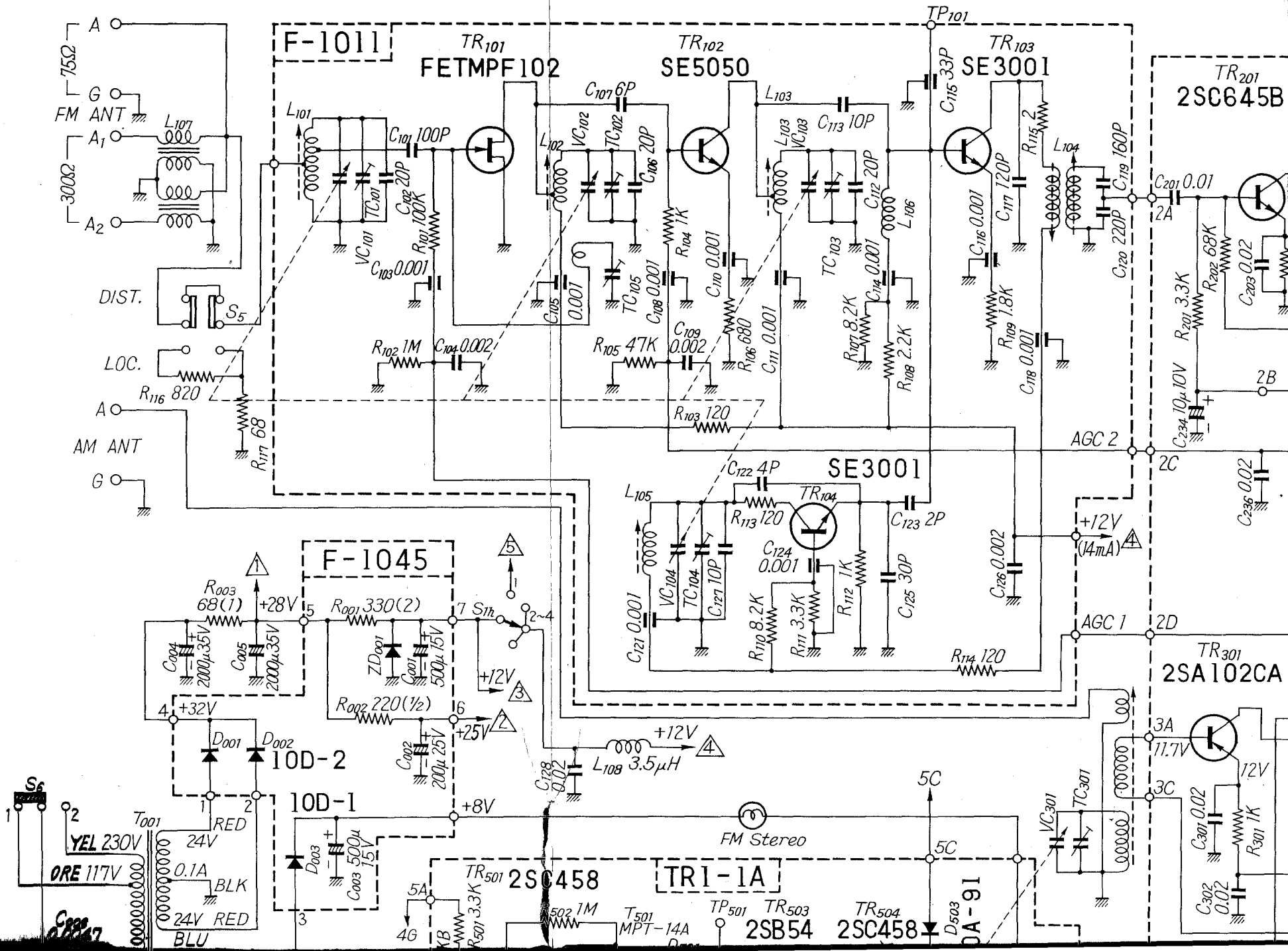


Voltage and cur
 Check
 At circuit meter

SANSUI TU-777 SCHEMATIC DIAGRAM



SANSUI TU-777 SCH



EMATIC DIAGRAM

