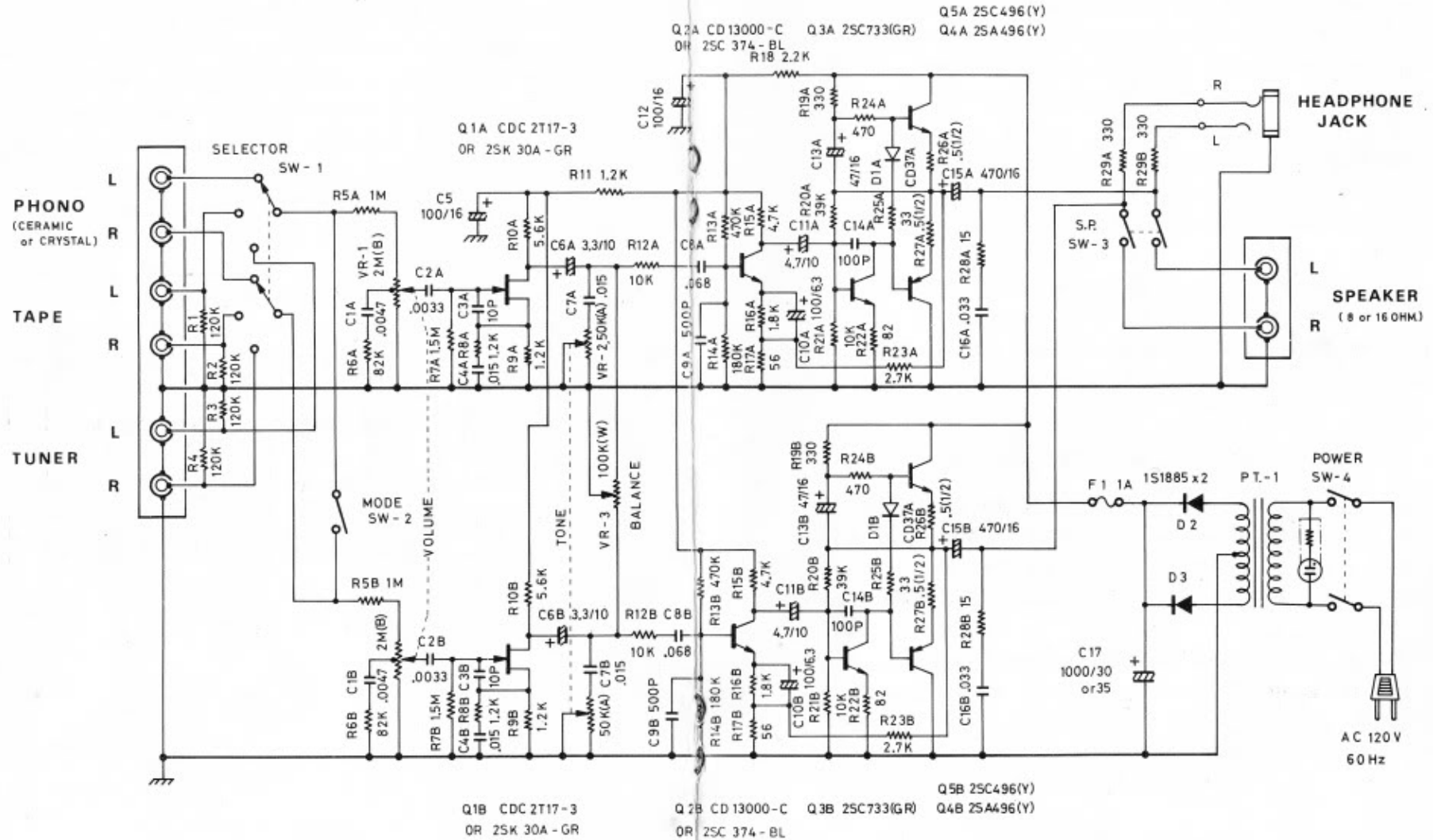


SCHEMATIC DIAGRAM



Note: 1 All resistance values are in ohm
 (K=1,000, M=1,000,000).
 2 All capacitance values are in μ F
 (P=PFD).