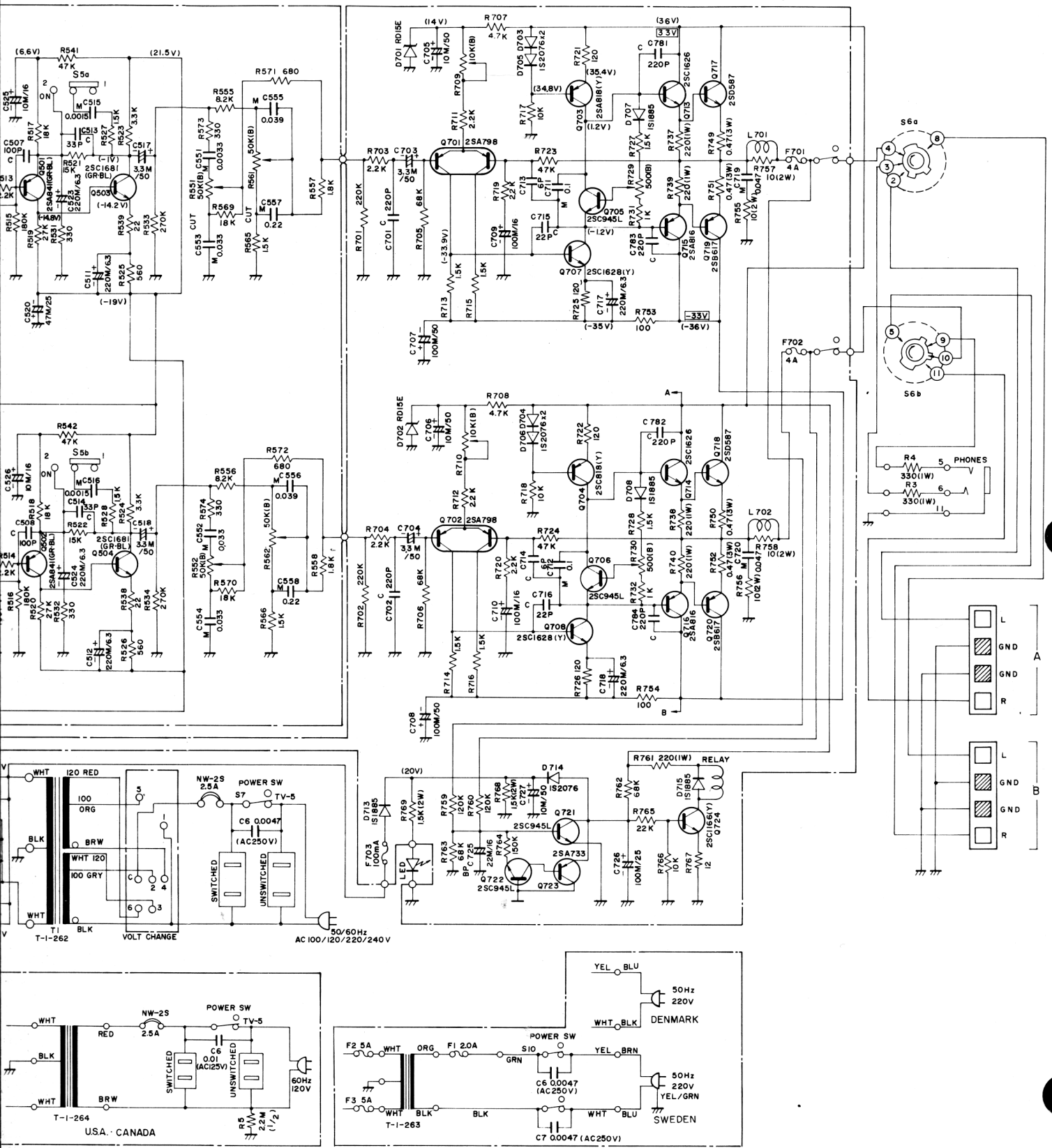


- | | | | |
|----------|----------------|----------|-------------|
| S1 a ~ b | SELECTOR | S4 a ~ b | LOUDNESS |
| 1 | PHONO | 1 | OFF |
| 2 | TUNER | 2 | ON |
| 3 | AUX | | |
| S2 a ~ b | TAPE MONITOR 1 | S5 a ~ b | HIGH FILTER |
| 1 | SOURCE | 1 | OFF |
| 2 | MON. 1 | 2 | ON |
| S3 a ~ b | TAPE MONITOR 2 | S6 a ~ b | SPEAKER |
| 1 | SOURCE | 1 | OFF |
| 2 | MON. 2 | 2 | A |
| | | 3 | B |
| | | 4 | A + B |

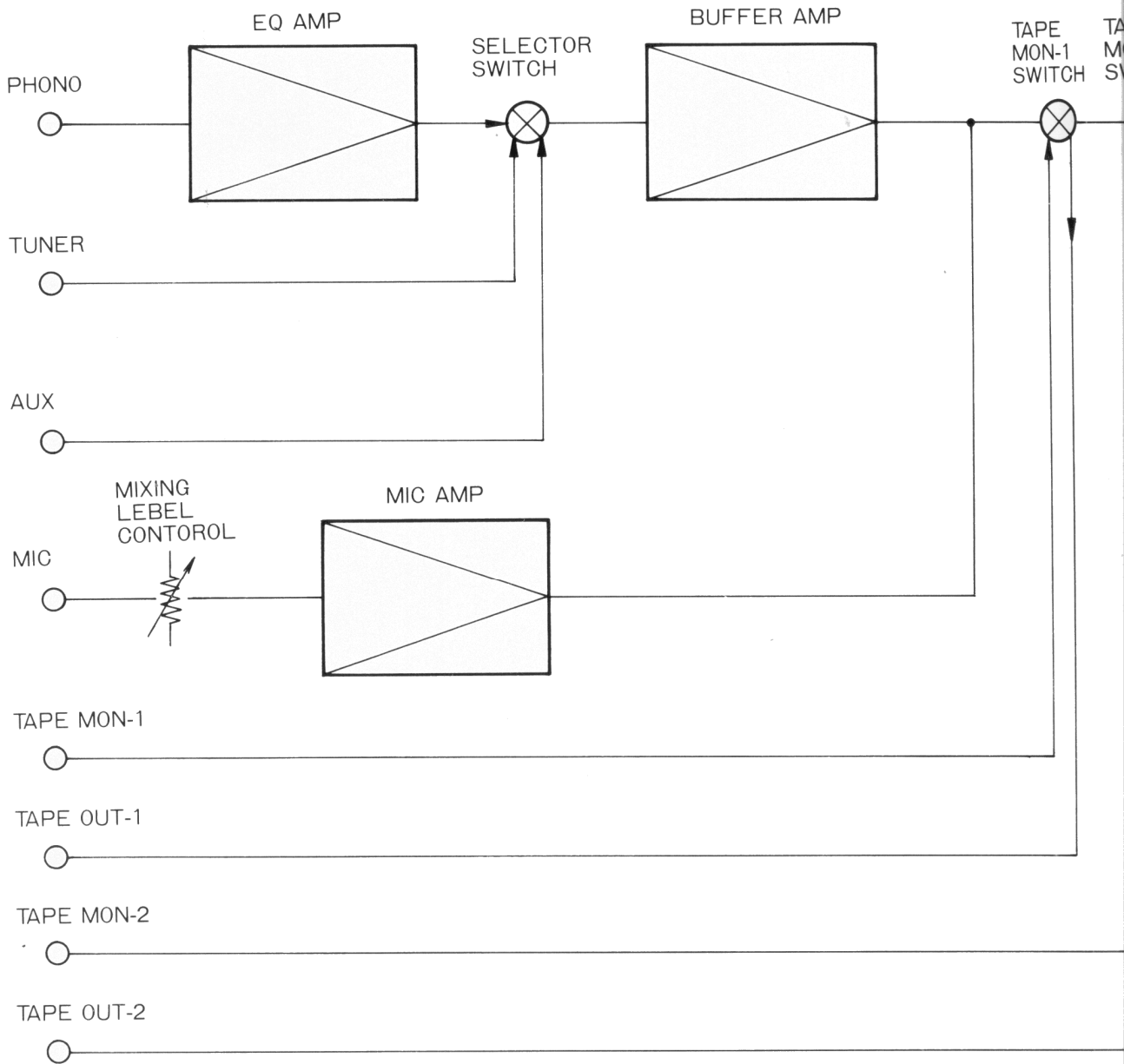
(v): DC VOLT AT NO INPUT SIGNAL.
 □ v: DC VOLT AT 35W x 2 (80HM-1KHZ)

WIRING DIAGRAM

TRM-650



BLOCK DIAGRAM



= ONE CHANNEL ONLY =

GRAM TRM-650

