



For more Hi-Fi manuals and set-up information  
please visit [www.hifiengine.com](http://www.hifiengine.com)

SERVICE  
MANUAL

CD-73



**marantz**®

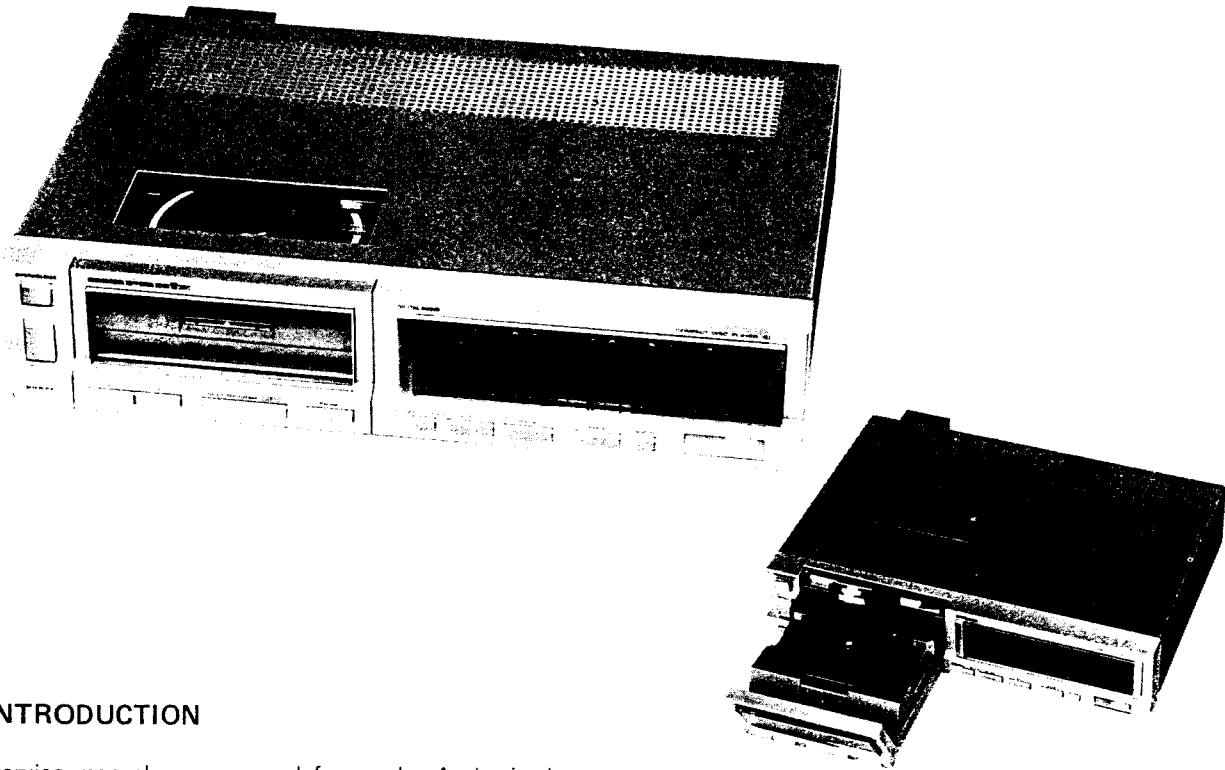
**model CD-73**

*Compact Disc Player*

## TABLE OF CONTENTS

| SECTION   | PAGE |
|---|------|
| 1. INTRODUCTION .....   | 1    |
| 2. P. W. BOARDS .....   | 1    |
| 3. DRAWER MOTOR CONTROL P. W. BORAD WORKING PRINCIPLE .....                 | 2    |
| 4. ADJUSTMENT PROCEDURES FOR DISC CLAMPER .....                             | 3    |
| 5. VOLTAGE CONVERSION .....   | 4    |
| 6. SIGNAL BLOCK DIAGRAM .....   | 5    |
| 7. COMPONENT LOCATIONS (AND WIRE CONNECTIONS) .....                         | 6    |
| 8. DIAGRAM AND COMPONENT LOCATIONS .....                                    | 8    |
| 8.1 Servo (P200) Schematic Diagram and Component Locations .....            | 8    |
| 8.2 Decoder (P500) Schematic Diagram and Component Locations .....          | 13   |
| 8.3 Power Supply (P100) Schematic Diagram and Component Locations .....     | 18   |
| 8.4 Pre Amp. + Laser (AY40) Schematic Diagram and Component Locations ..... | 19   |
| 9. EXPLODED VIEW AND PARTS LIST .....                                       | 22   |
| 10. ELECTRICAL PARTS LIST .....   | 30   |
| 11. TECHNICAL SPECIFICATIONS .....  | 38   |
| 12. SCHEMATIC DIAGRAM .....   | 40   |

## MODEL CD-73 COMPACT DISC PLAYER



### 1. INTRODUCTION

This service manual was prepared for use by Authorized Warranty Stations and contains service information for Marantz Model CD-73 Compact Disc Player.

Servicing information and voltage data included in this manual are intended for use by the knowledgeable and experienced technician only. All instructions should be read carefully. No attempt should be made to proceed without a good understanding of the operation of the Compact Disc Player.

The parts list furnishes information by which replacement parts may be ordered from the Marantz Company. A simple description is included for parts which can usually be obtained through local suppliers.

### 2. P. W. BOARDS

1. Power Supply . . . . .mounted on P.W. Board P100
2. Servo . . . . .mounted on P.W. Board P200
3. Decoder . . . . .mounted on P.W. Board P500
4. Motor/Remocon . . . . .mounted on P.W. Board P800
5. Main Filter . . . . .mounted on P.W. Board PH00
6. Power Indicator . . . . .mounted on P.W. Board PR00
7. Disc Inside Indicator . . . . .mounted on P.W. Board PR50
8. Program Key Switch . . . . .mounted on P.W. Board PS00
9. Mode Key Switch . . . . .mounted on P.W. Board PU00
10. Signal Relay 2 . . . . .mounted on P.W. Board PU50
11. Display . . . . .mounted on P.W. Board PY00
12. Mode Indicator . . . . .mounted on P.W. Board PZ00
13. Signal Relay 1 . . . . .mounted on P.W. Board PZ50
  
14. Pre Amp. + Laser . . . . .mounted on P.W. Board AY40

### 3. DRAWER MOTOR CONTROL P. W. BORAD WORKING PRINCIPLE

Drawer motor control P. W. Borad includes the following.

- (1) Drawer motor drive circuit
- (2) Remote control circuit (Marantz Bus System decoder circuit)

#### 3.1 Drawer Motor Drive Circuit

##### A. Outline of the system

This circuit revolves and reverses the drawer motor by the OPEN/CLOSE switch of S802 on the front panel to open and close the drawer. It includes a circuit to increase starting torque and a safety circuit which stops automatically when something is caught in the drawer.

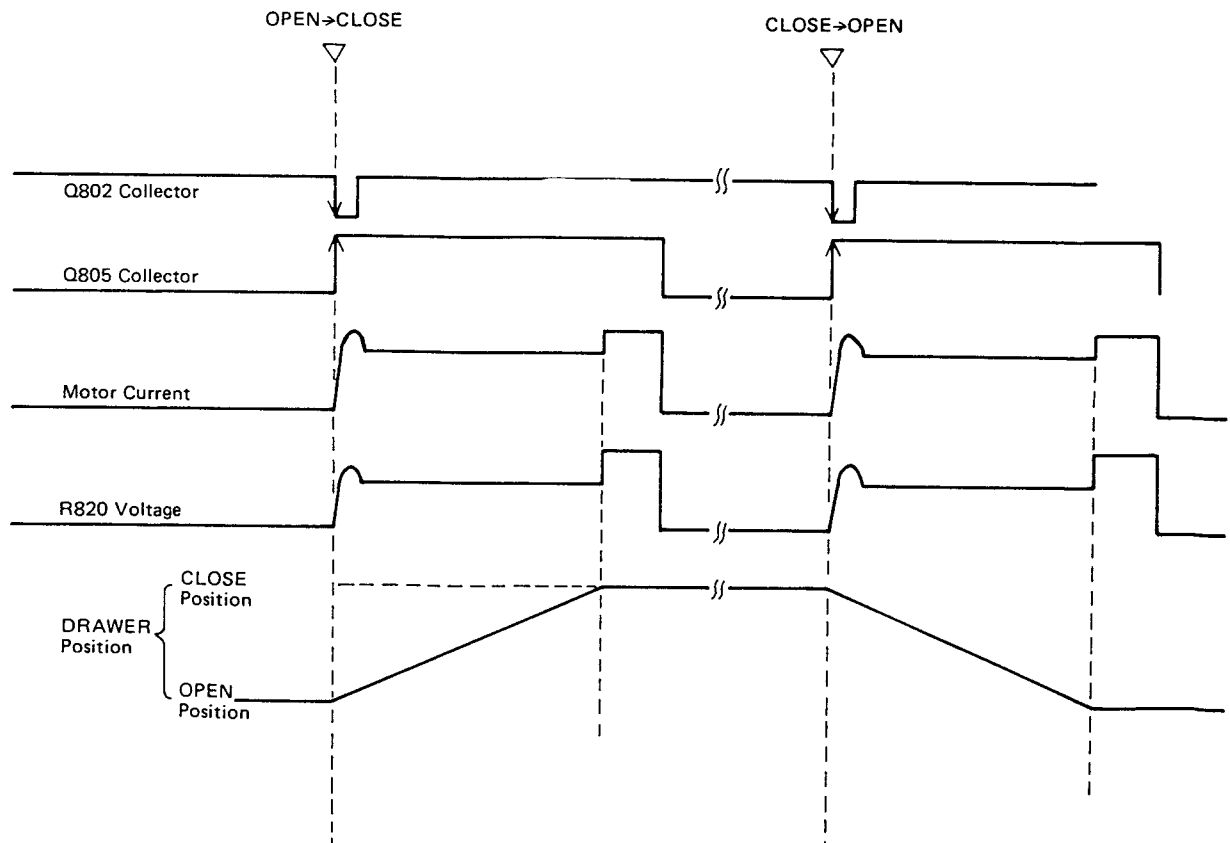
##### B. Operation of each part

- a) Q809, Q808 and Q807 are motor drive circuits. Especially Q808 increases motor starting torque.
- b) When the voltage of R820 becomes over about 0.6V, the base current begins to flow through Q803. That is, the motor is locked to detect the excessive current.
- c) Q805 and Q806 make up a set/reset flip flop, which is set when positive voltage is put into the base of Q805. And it is reset when the base becomes 0. As long as it is set, D806 is "ON" and motor drive circuit does not operate.
- d) Q802 becomes "ON" just for a few msec when the OPEN/CLOSE switch of S802 is pushed. (S802 is non-shorting type.)

- e) Q801 becomes "ON" just for the time-constant  $t_1$  based on R816/R801/C801 only after S802 is changed from CLOSE to OPEN, and makes the base of Q809 0V to stop the motor drive circuit. Meanwhile, the voltage of C807 is discharged to increase the torque for the time-constant  $t_2$  of C807/R822 just after the end of  $t_1$ .

##### C. Explanation of overall operation

- a) During the shift of OPEN/CLOSE switch S802, from OPEN to CLOSE, Q802 becomes "ON" in an instant and flip flop which is composed of Q805 and Q806 is reset to cut off D806.
- b) Consequently motor drive circuit which is composed of Q809, Q808 and Q807 begins to operate to switch on the drawer motor.
- c) When the drawer comes to the mechanical end, short-circuit current begins to flow to the motor to generate voltage of R820 about 1V. This voltage reverses Q803 to cut off D804.
- d) After D804 is cut off, C805 is discharged through R807 and Q804, and Q804 becomes OFF after about 2.5 sec.
- e) As a result, the collector voltage of Q804 rises to set the above flip flop through R809/R810. In this way, the motor drive circuit becomes OFF again.
- f) You have the same operation also when S802 is changed from CLOSE to OPEN. But Q801 has been added so that Q808 which increases start up torque can become ON without fail.



### 3.2 Remote Control Circuit

#### A. Outline of the system

Marantz Bus System is a general term to this remote control circuit. Remocon transmitter and remocon receiver are necessary to operate it.

The output of the remocon receiver is connected to the remocon "IN" terminal on the rear panel of the CD-73.

The remocon transmitter has 4 keys for play/next, puase, repeat and stop.

#### B. Operation of each part

- a) Q851 is N channel Micro Processor for remocon.
- b) Q857 amplifies a signal from the remocon receiver and transmits it to pin 24 of the Micro Processor.
- c) Q858 is a transistor switch. When a laser signal "S" becomes Low level, it switches "ON" and changes the Micro Processor pin 25 to High level to generate an easy operation signal at pin 19.  
This easy operation signal is reversed at Q856 and put out from the easy "OUT" terminal of the CD-73. This signal makes easy operation possible.
- d) Q853, Q854 and Q855 are used as analogue switches and controled by output pin 9, 10 and 15 respectively. Q852 is a transistor switch, which lowers a sense signal to GND level to stop operation.
- e) R852/D851/C856 are used for initial setting of the Micro Processor.

#### C. Overall operation

When any key of the remocon transmitter is pushed, a pulse signal is transmitted to the CD-73 remote "IN" terminal through the remocon receiver. This signal is put into the Micro Processor pin 24 after being amplified at Q857 and the Micro Processor comes to correspond to the key to generate High signal at the output pin as follows.

|                     |        |
|---------------------|--------|
| play/next . . . . . | pin 9  |
| pause . . . . .     | pin 10 |
| repeat . . . . .    | pin 15 |
| stop . . . . .      | pin 4  |

Besides, only when the play/next key is pushed, an easy operation signal occurs at pin 19 for 60 msec to mute the other sources.

## 4. ADJUSTMENT PROCEDURES FOR DISC CLAMPER

### 4.1 Adjusting the height of the pressure ring holder

The height of the holder must be adjusted to maintain braking by keeping the appropriate distance between the holder and pressure ring.

With the drawer in the unit, lift the holder manually, and place the positioning tool on the turntable.

If the drawer is in the "out" position, the alminum cap will come in contact with the front chassis and front panel, and will be scratched when the drawer is pushed into the unit.

With a screwdriver, turn the adjustment screw clockwise 2 or 3 turns. Push down the holder several times to confirm that it sinks a few milimeters until it makes contact with the positioning tool. If there is no play between the holder and tool, turn the adjustment screw further until a few milimeters play is obtained.

Turn the adjustment screw counterclockwise until the play between the holder and tool becomes zero.

For optimum adjustment, do not exert excess pressure on the adjustment screw with the screwdriver.

Apply lock paint to the adjustment screw.

Lift the holder with the drawer in the "in" position, and remove the positioning tool.

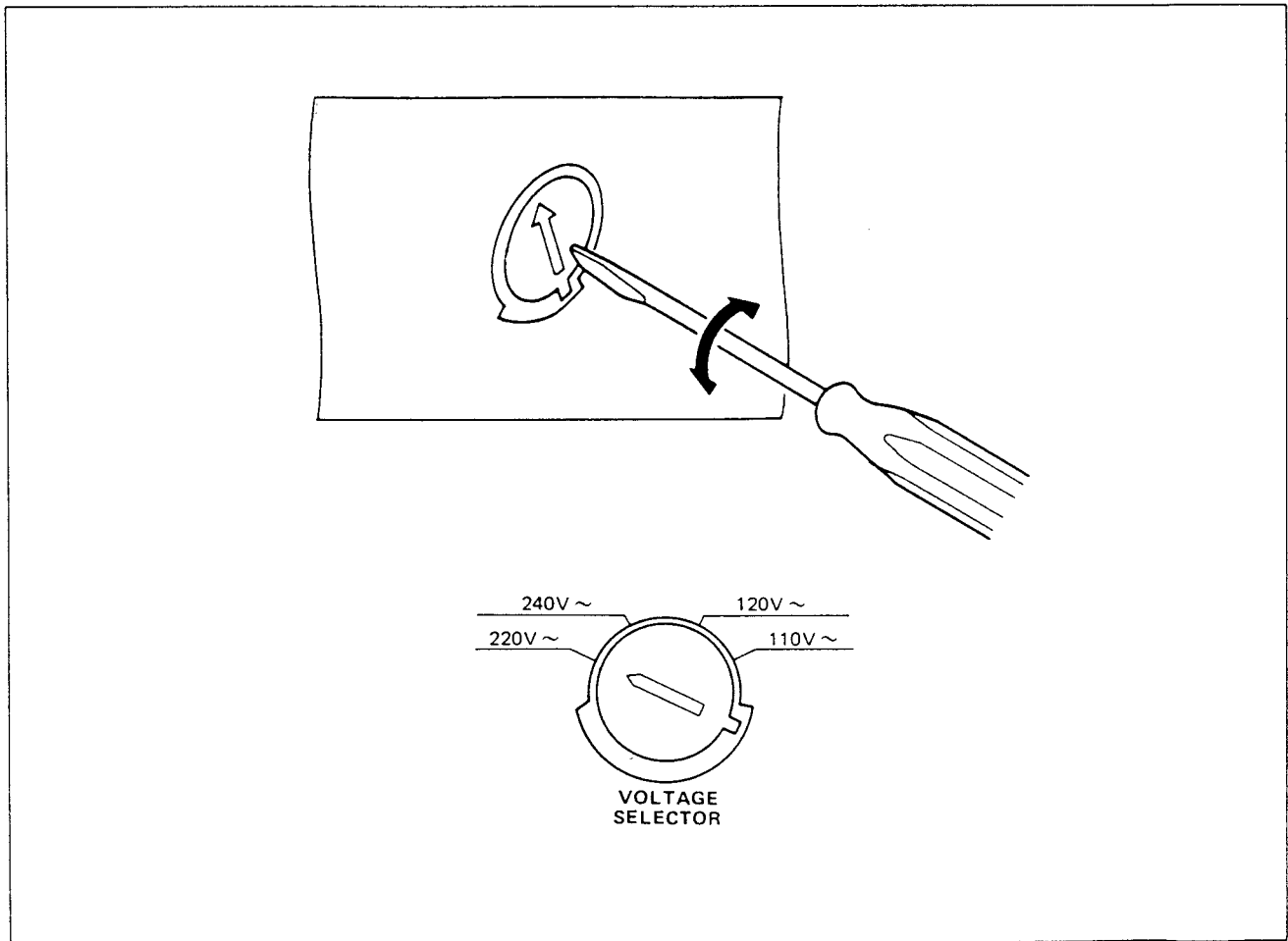
## 5. VOLTAGE CONVERSION

### • EUROPEAN MODEL ONLY

To convert the unit to a different power source voltage, change the position as illustrated in the drawing below.

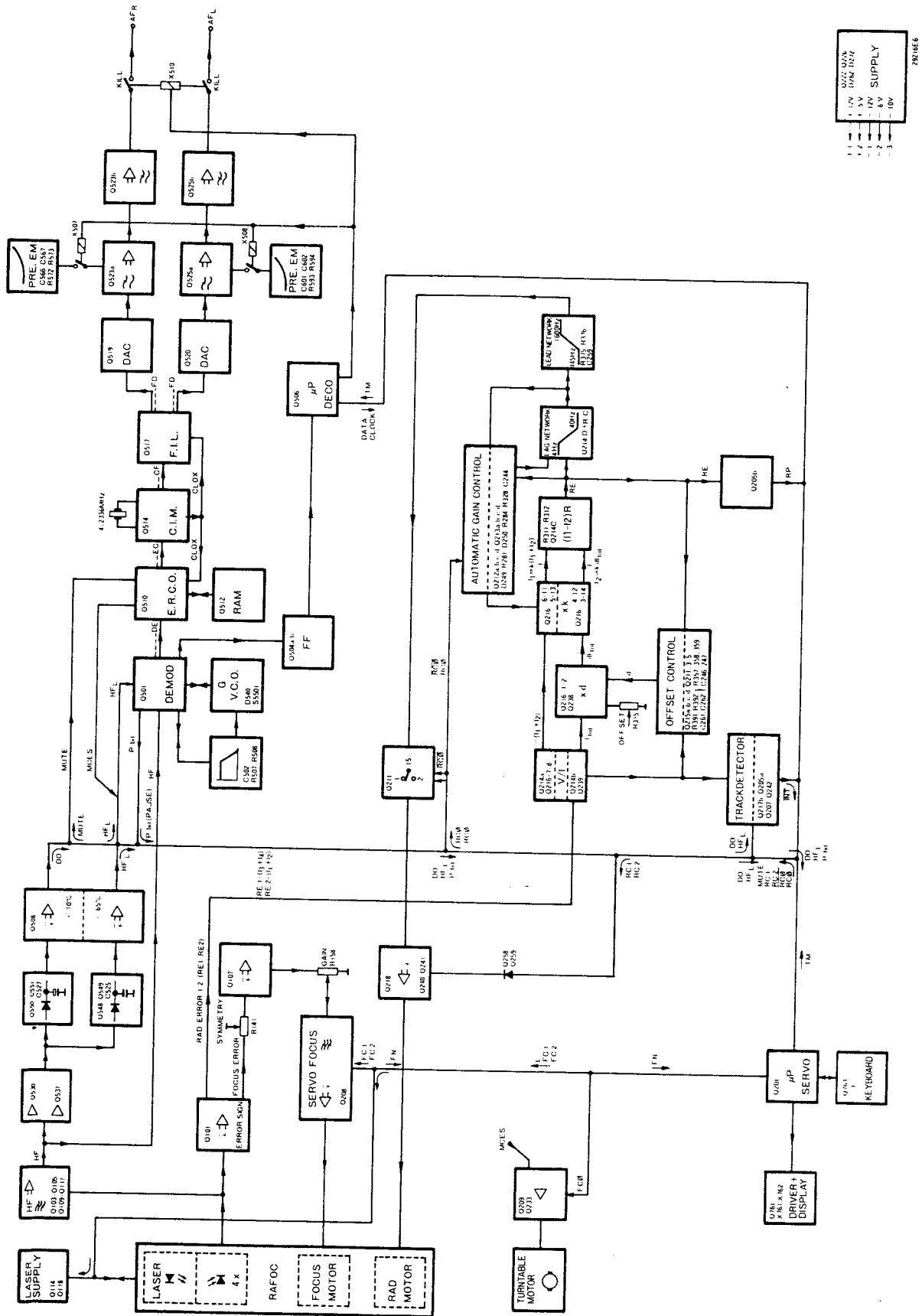
**CAUTION**  
DISCONNECT POWER SUPPLY CORD FROM AC  
OUTLET BEFORE CONVERTING VOLTAGE.

Voltage Conversion Chart



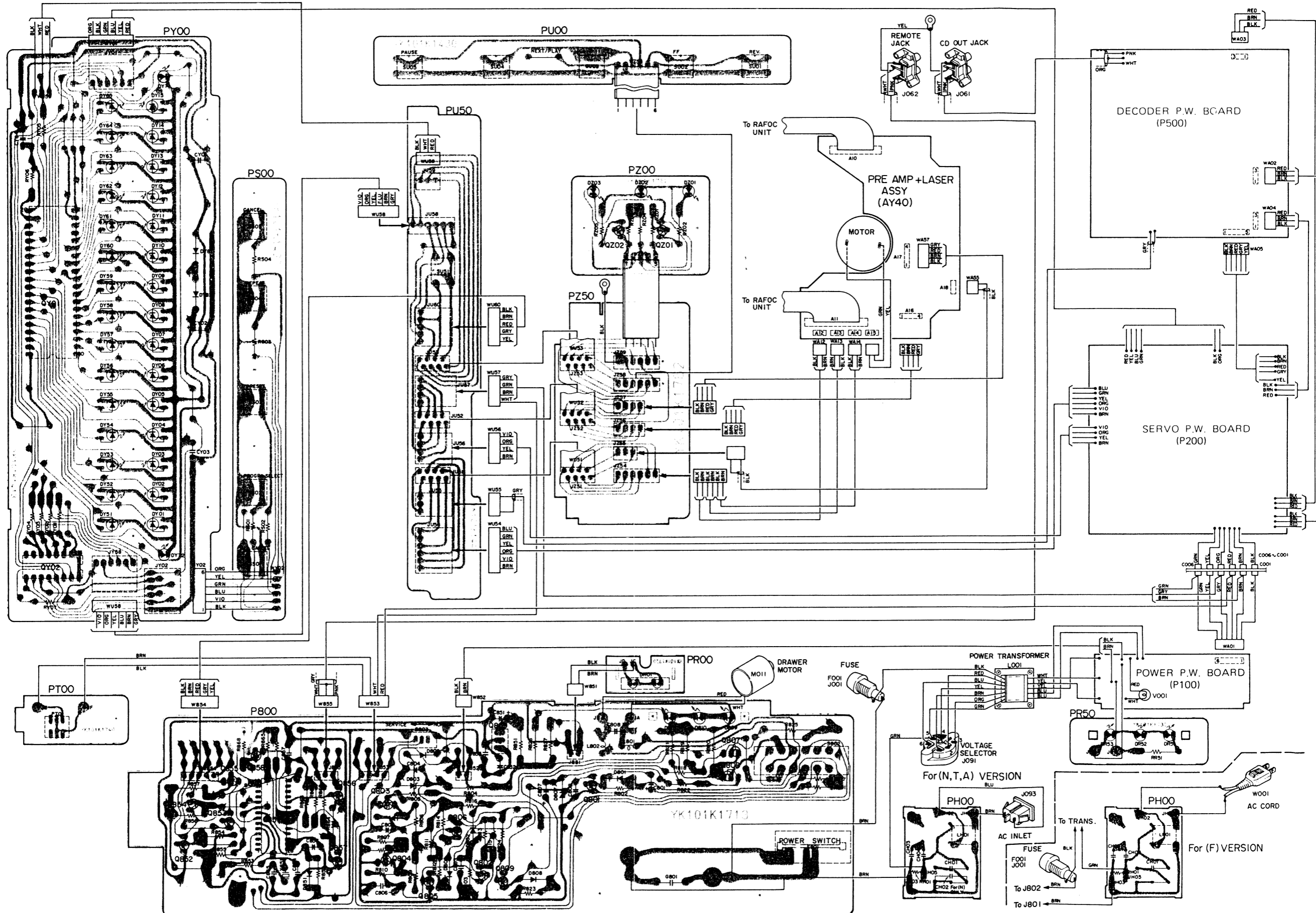
**Note on safety:** Symbol  $\triangle$  Fire or electrical shock hazard. Only original parts should be used to replace any part marked with symbol  $\triangle$ . Any other component substitution (other than original type), may increase risk of fire or electrical shock hazard.

# 6. SIGNAL BLOCK DIAGRAM



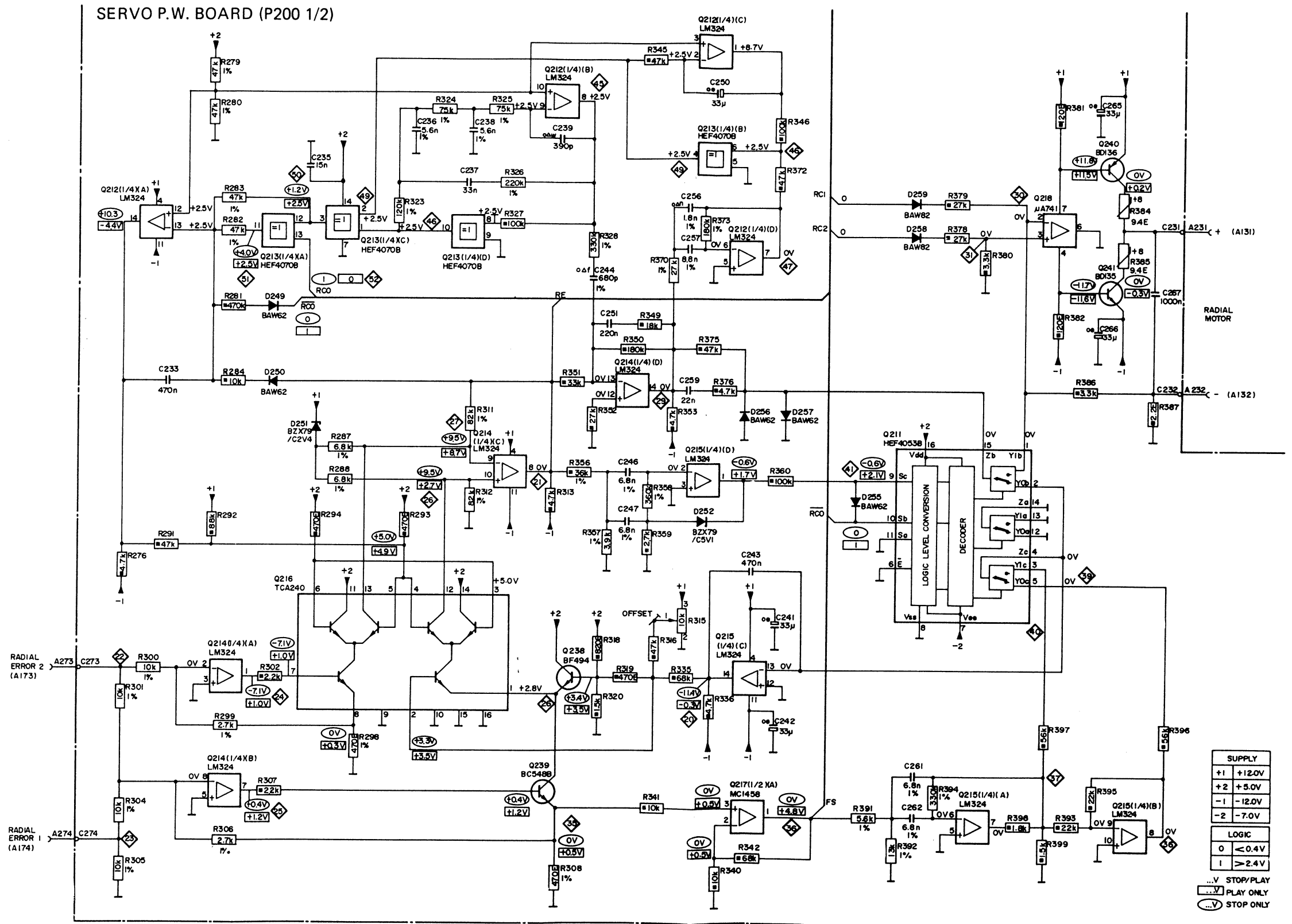


7. COMPONENT LOCATIONS (AND WIRE CONNECTIONS)

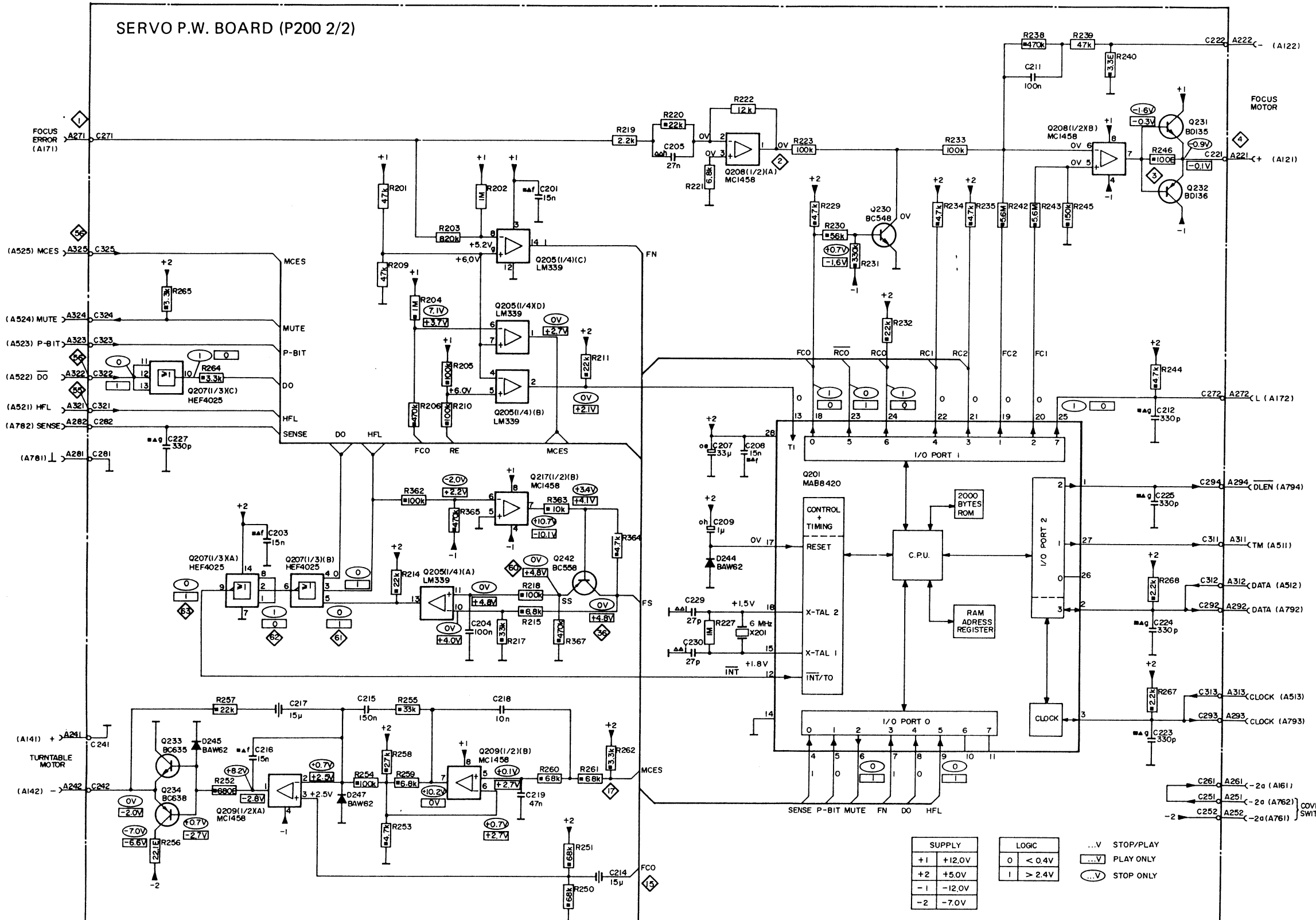


## 8. DIAGRAM AND COMPONENT LOCATIONS

### 8.1 Servo (P200) Schematic Diagram and Component Locations



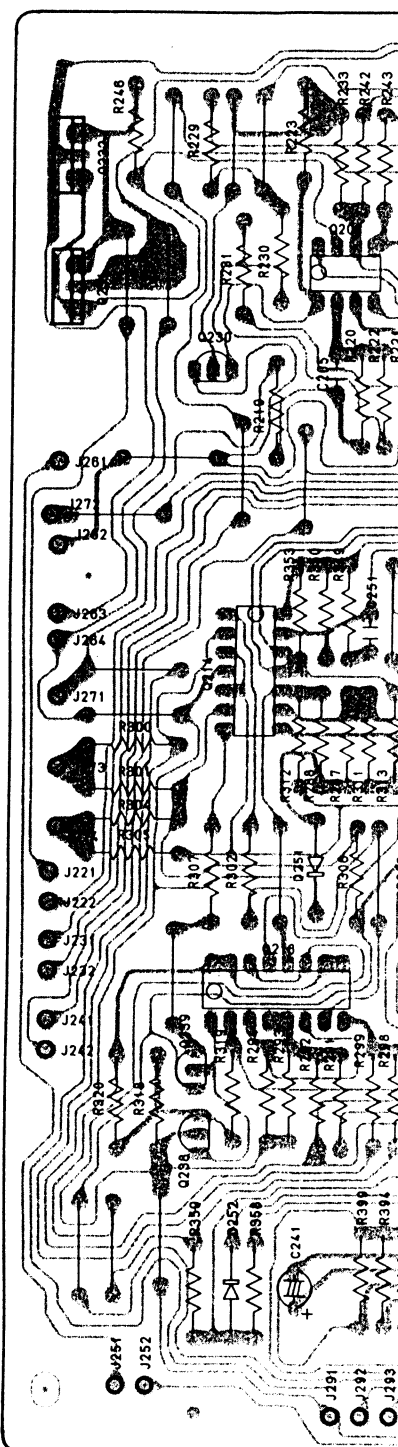
SERVO P.W. BOARD (P200 2/2)

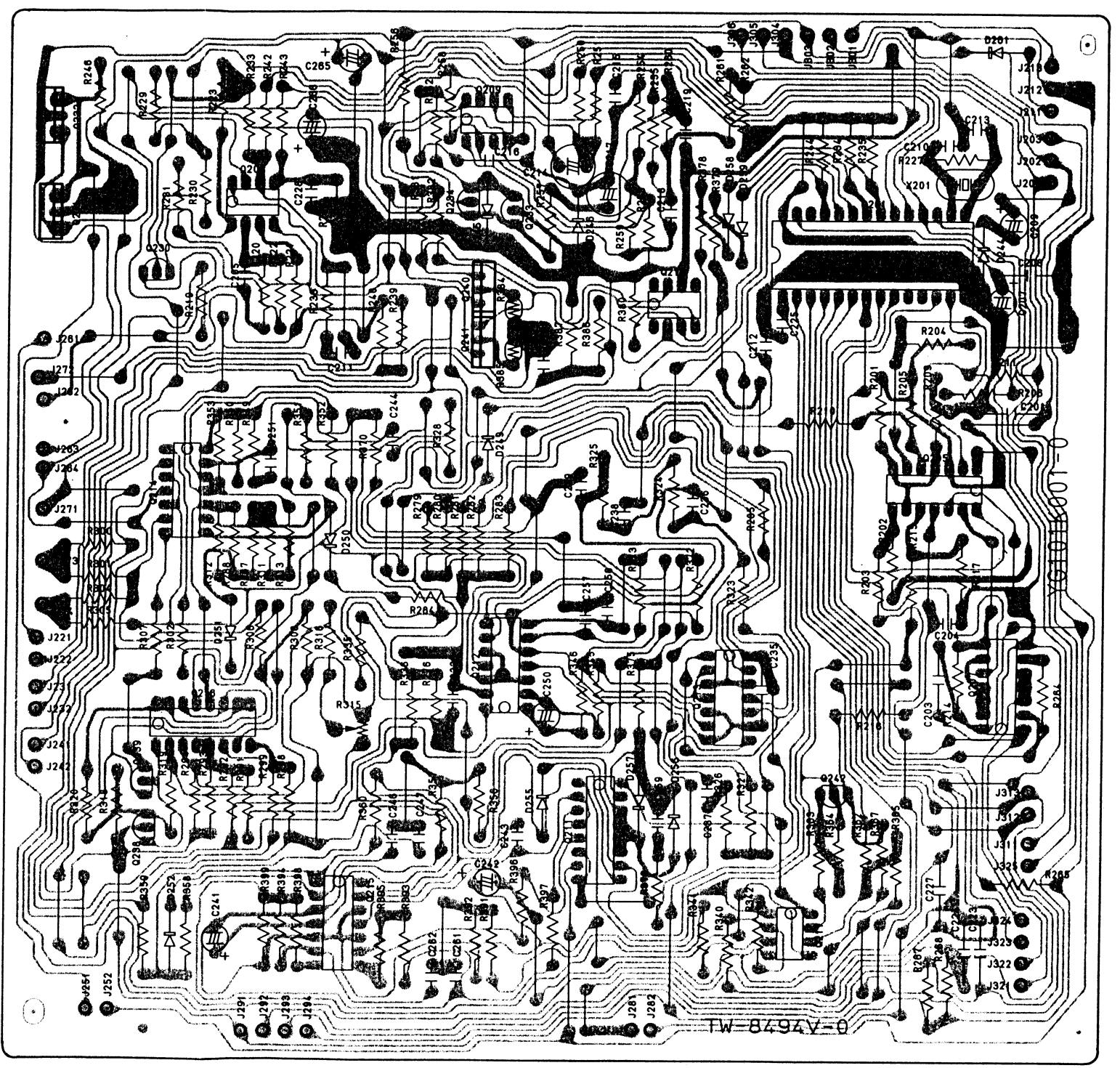
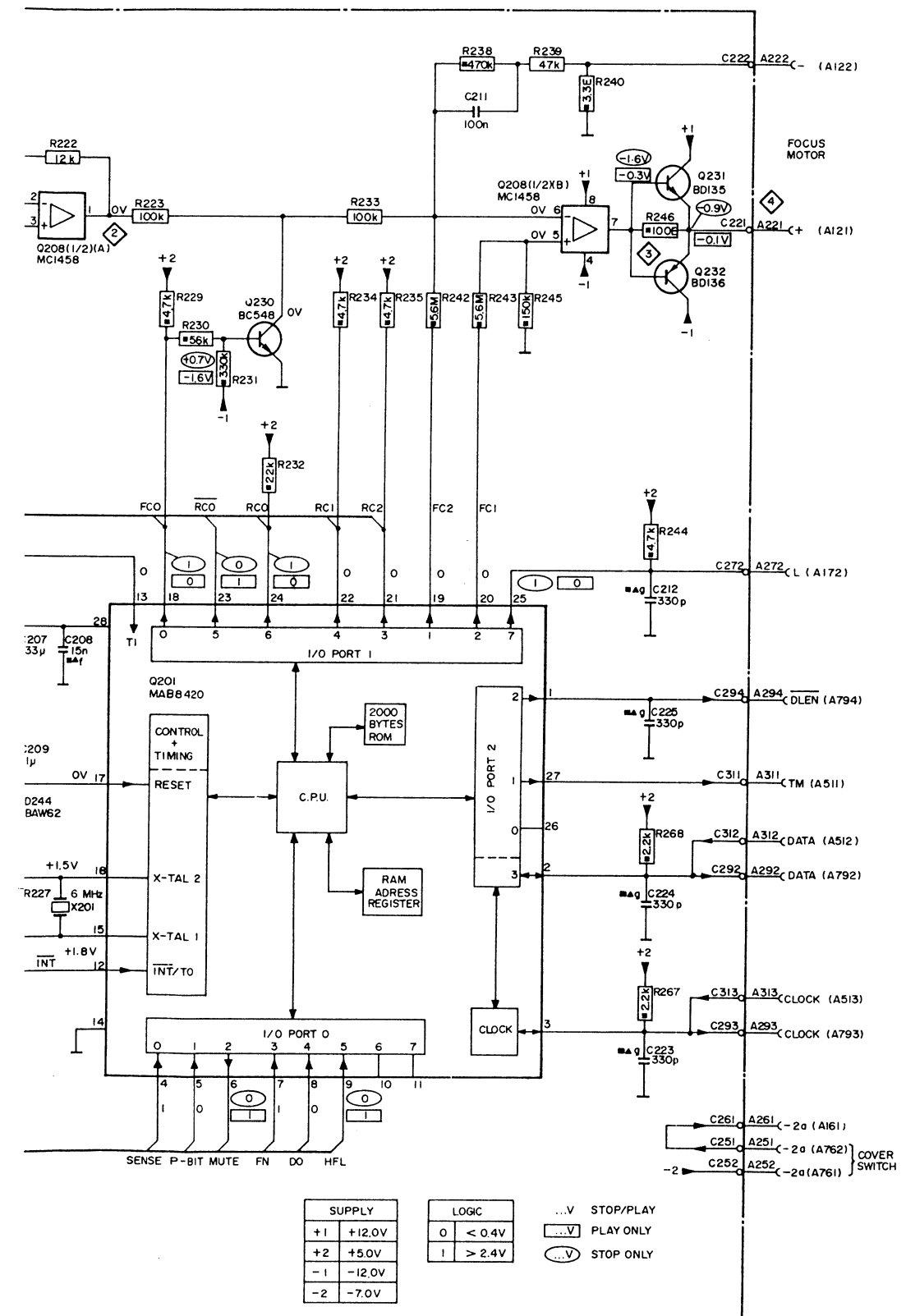


| SUPPLY |        | LOGIC |        |
|--------|--------|-------|--------|
| +1     | +12.0V | 0     | < 0.4V |
| +2     | +5.0V  | 1     | > 2.4V |
| -1     | -12.0V |       |        |
| -2     | -7.0V  |       |        |

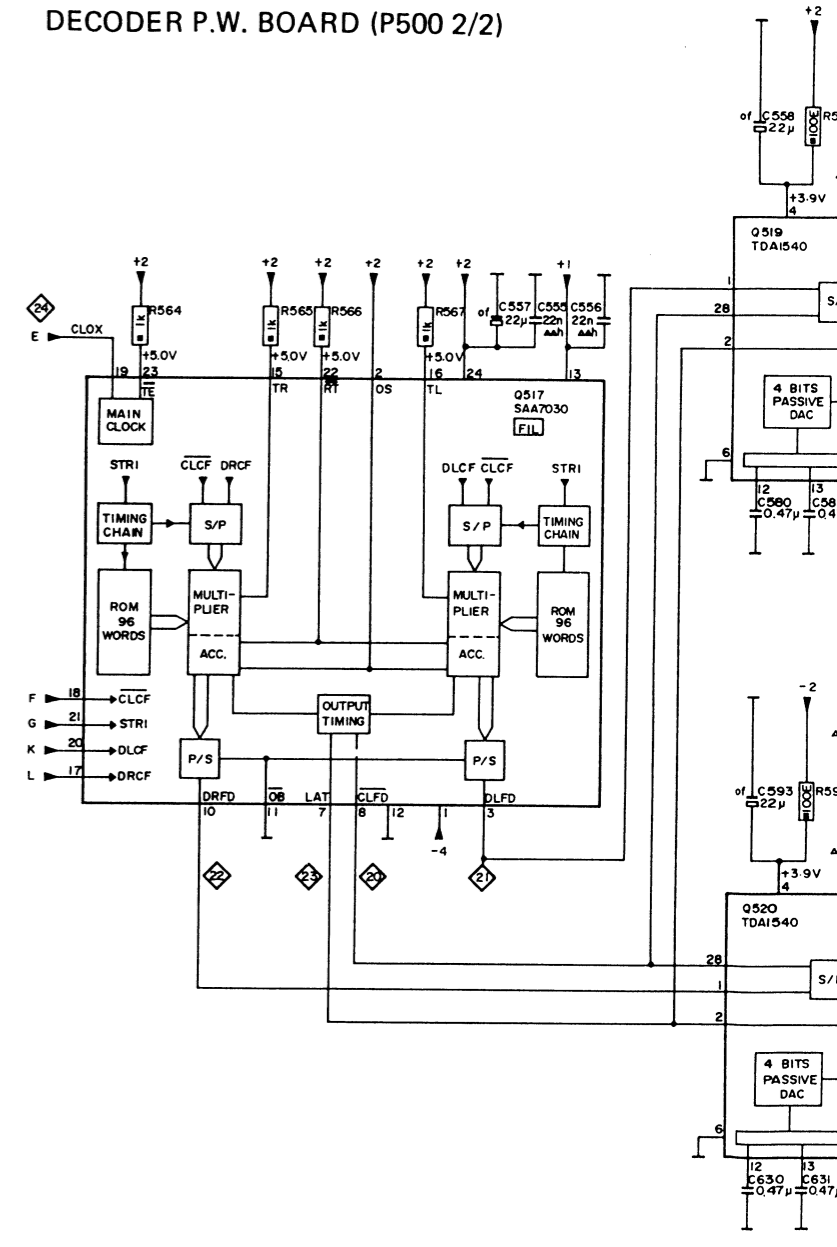
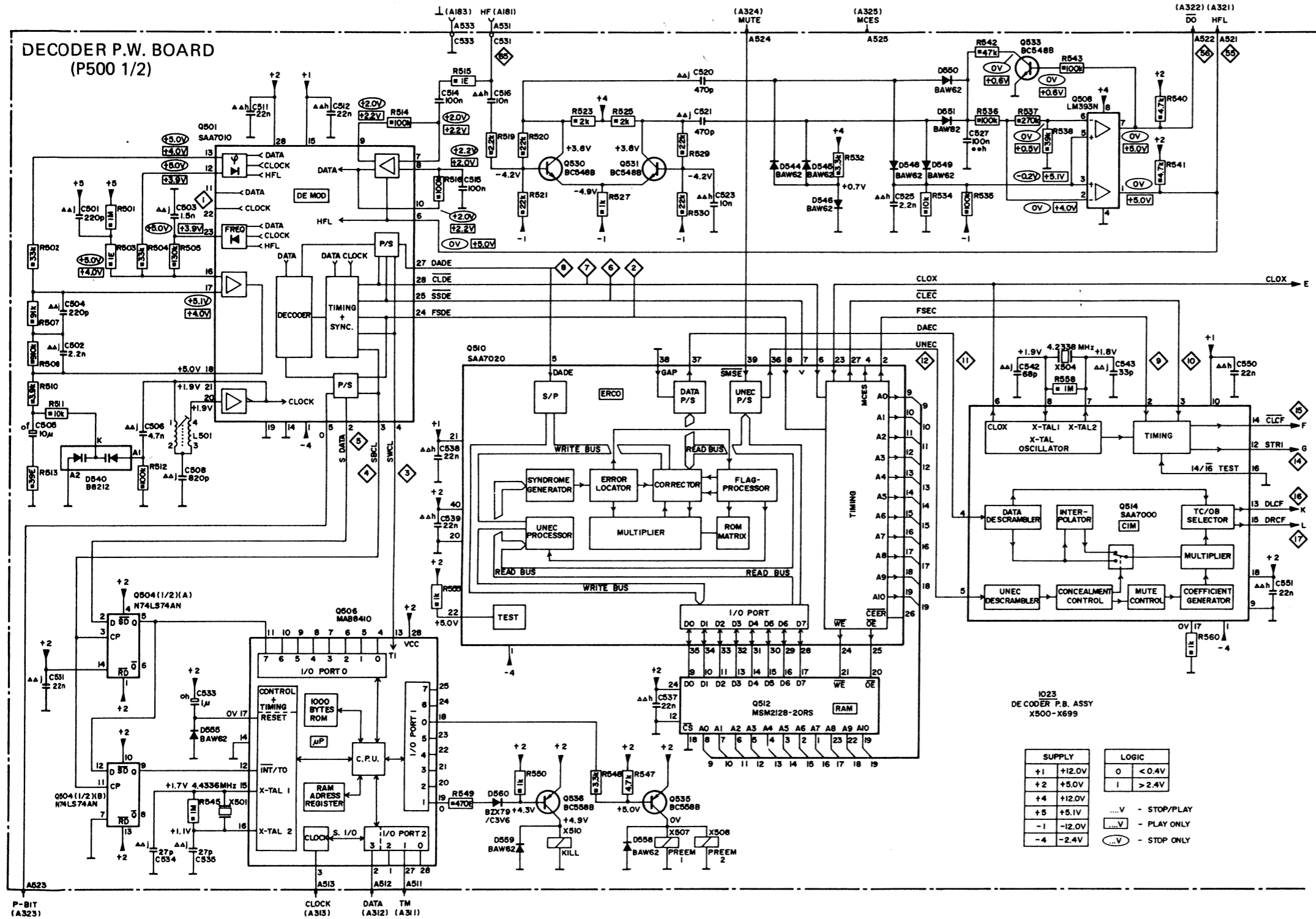
  

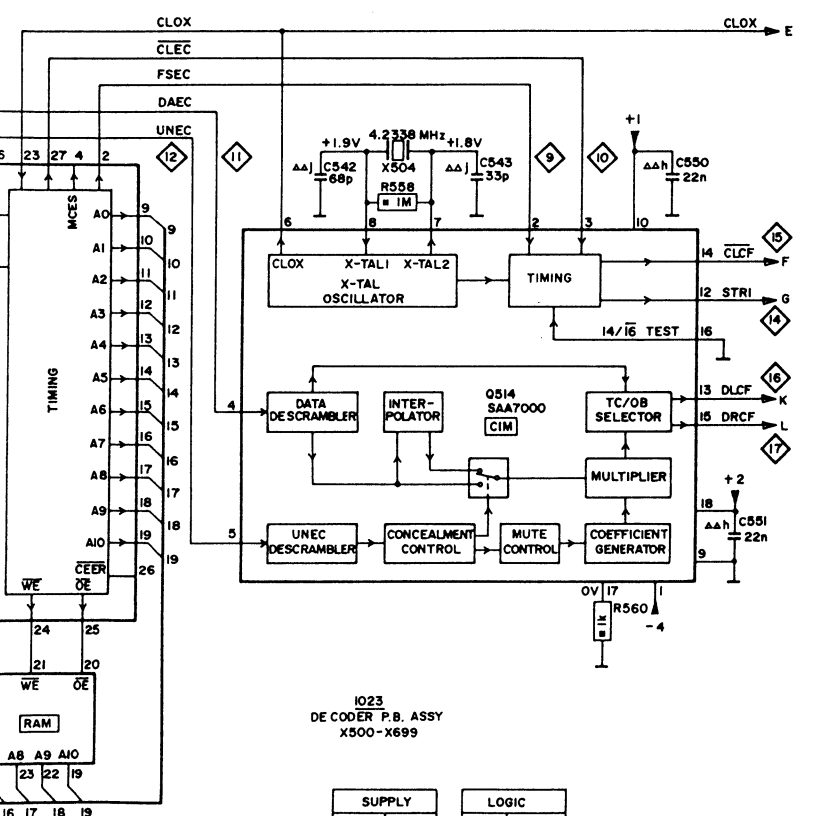
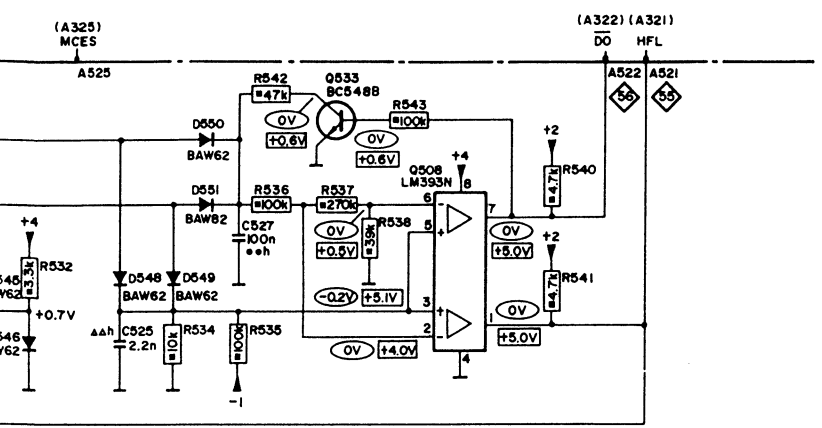
| ... | STOP/PLAY |
|-----|-----------|
| ... | STOP ONLY |
| ... | PLAY ONLY |





### 8.2 Decoder (P500) Schematic Diagram and Component Locations

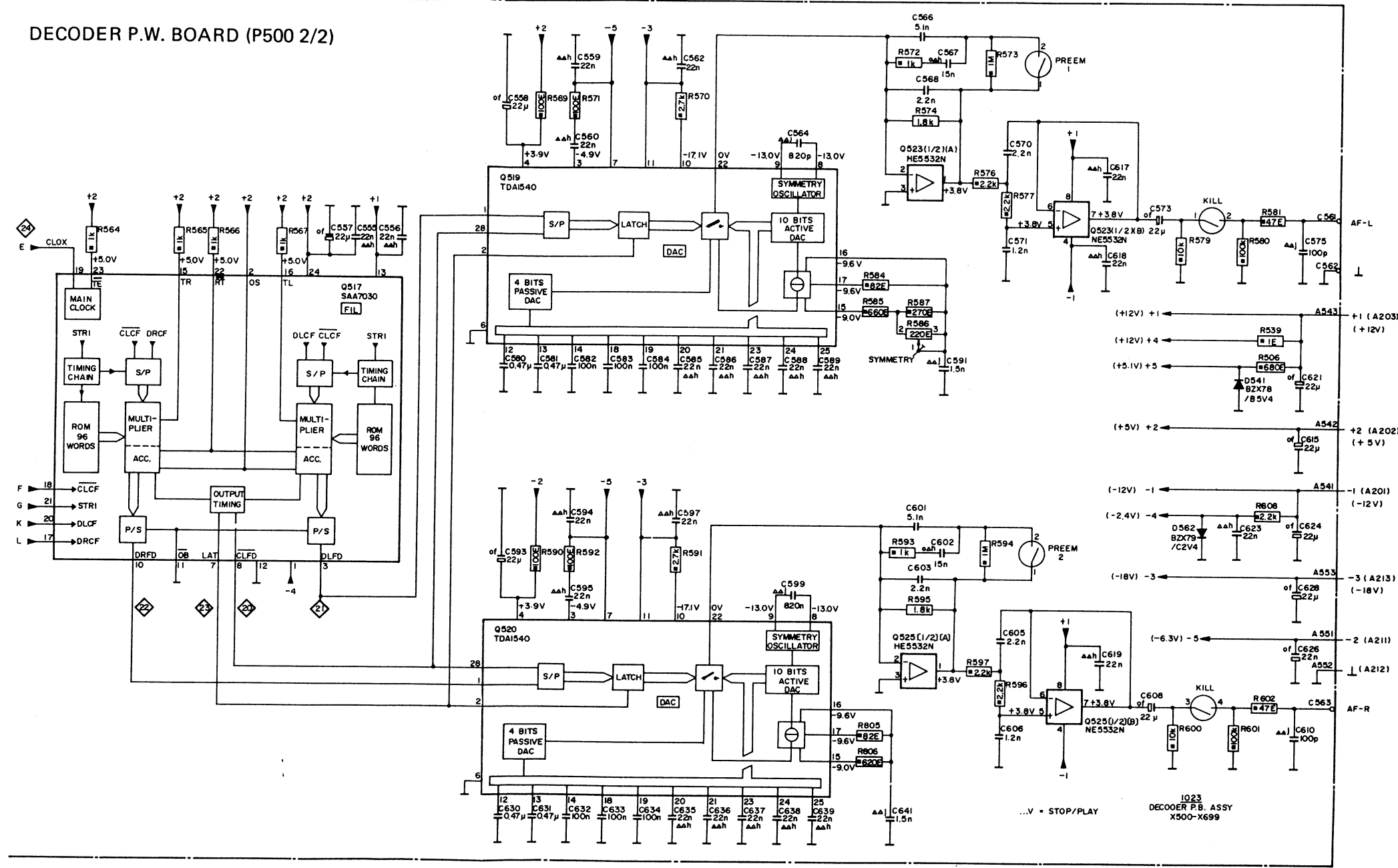




IO23  
DE CODER P.B. ASSY  
X500-X699

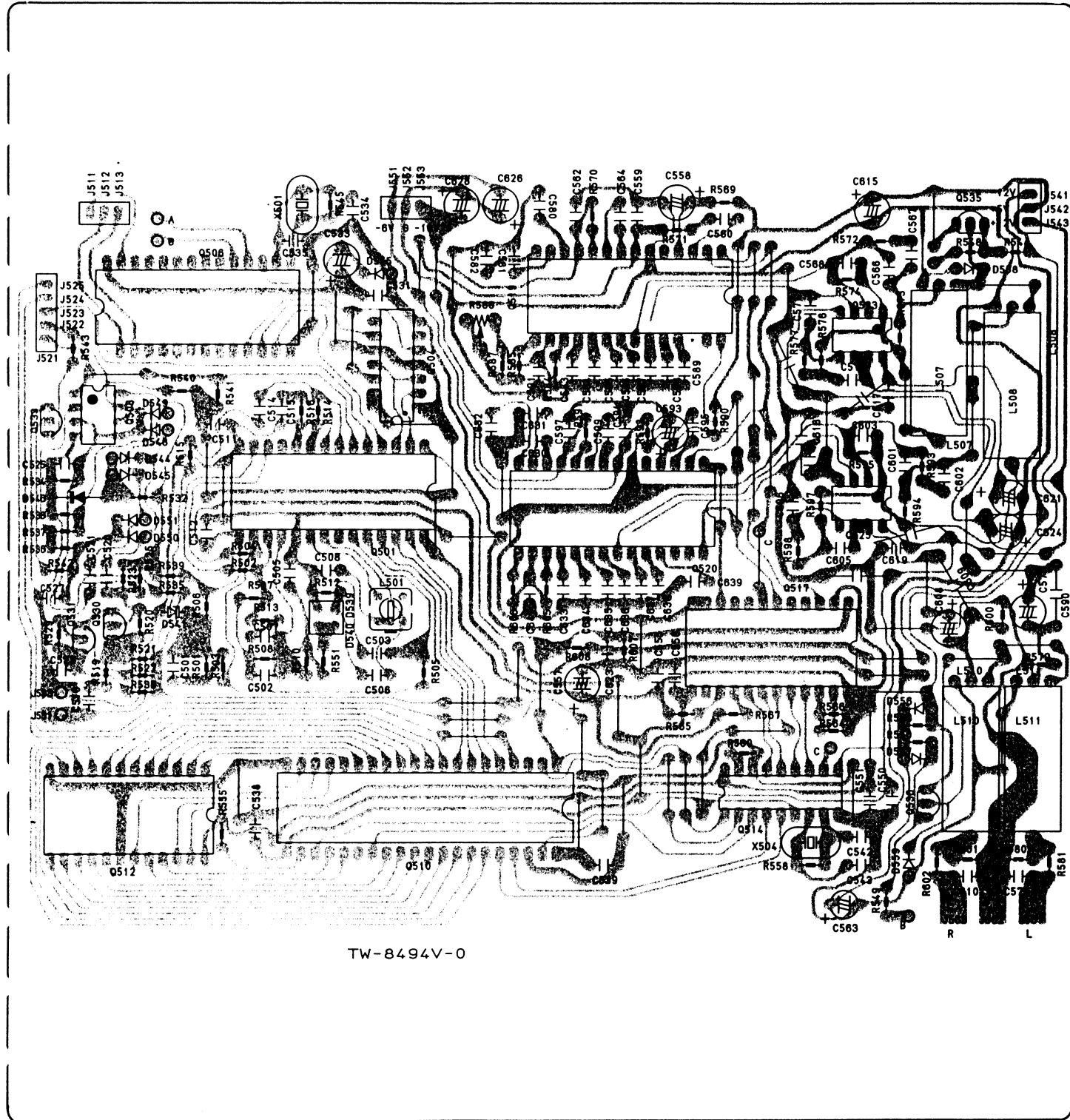
| SUPPLY    | LOGIC            |
|-----------|------------------|
| +1 +12.0V | 0 < 0.4V         |
| +2 +5.0V  | 1 > 2.4V         |
| +4 +12.0V | ...V - STOP/PLAY |
| +5 +5.1V  | ...V - PLAY ONLY |
| -1 -12.0V | ...V - STOP ONLY |
| -4 -2.4V  |                  |

### DECODER P.W. BOARD (P500 2/2)

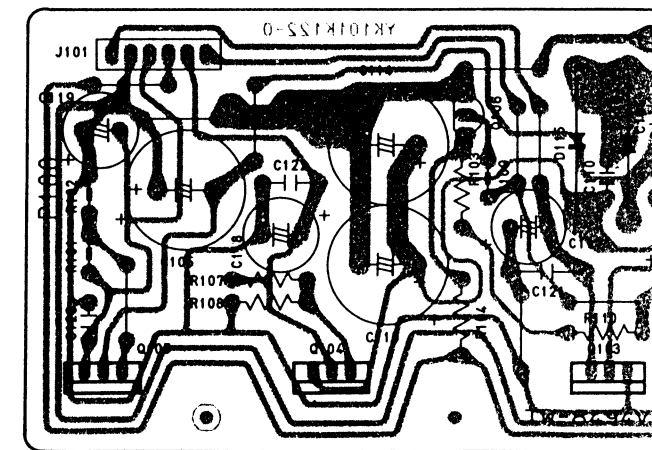
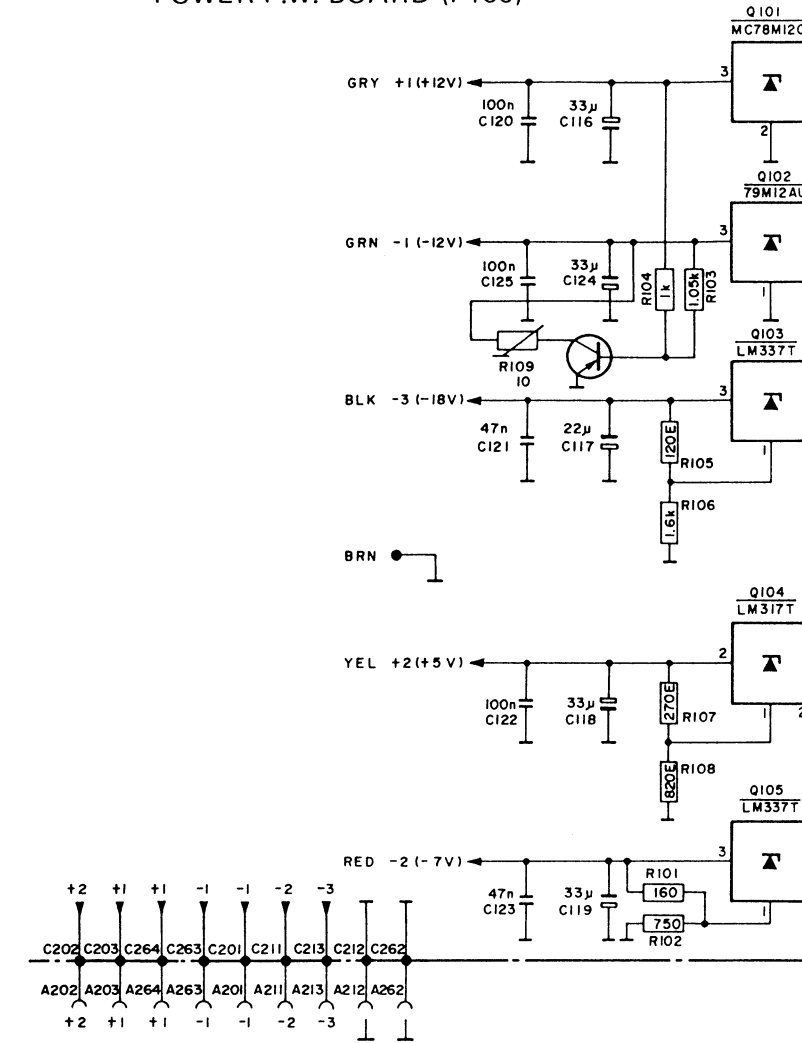


IO23  
DECODER P.B. ASSY  
X500-X699

8.3 Power Supply (P100) Schematic Diagram and Component Locations

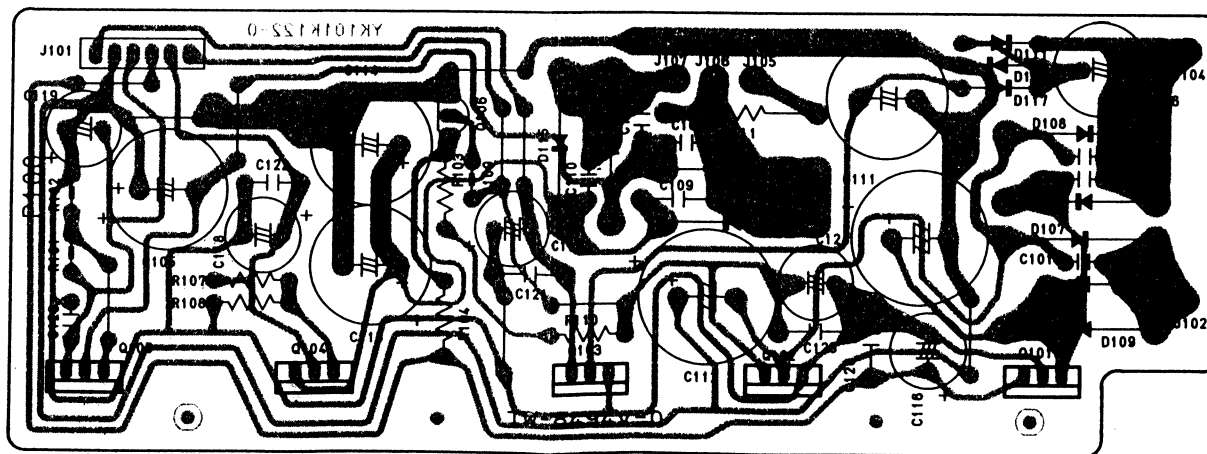
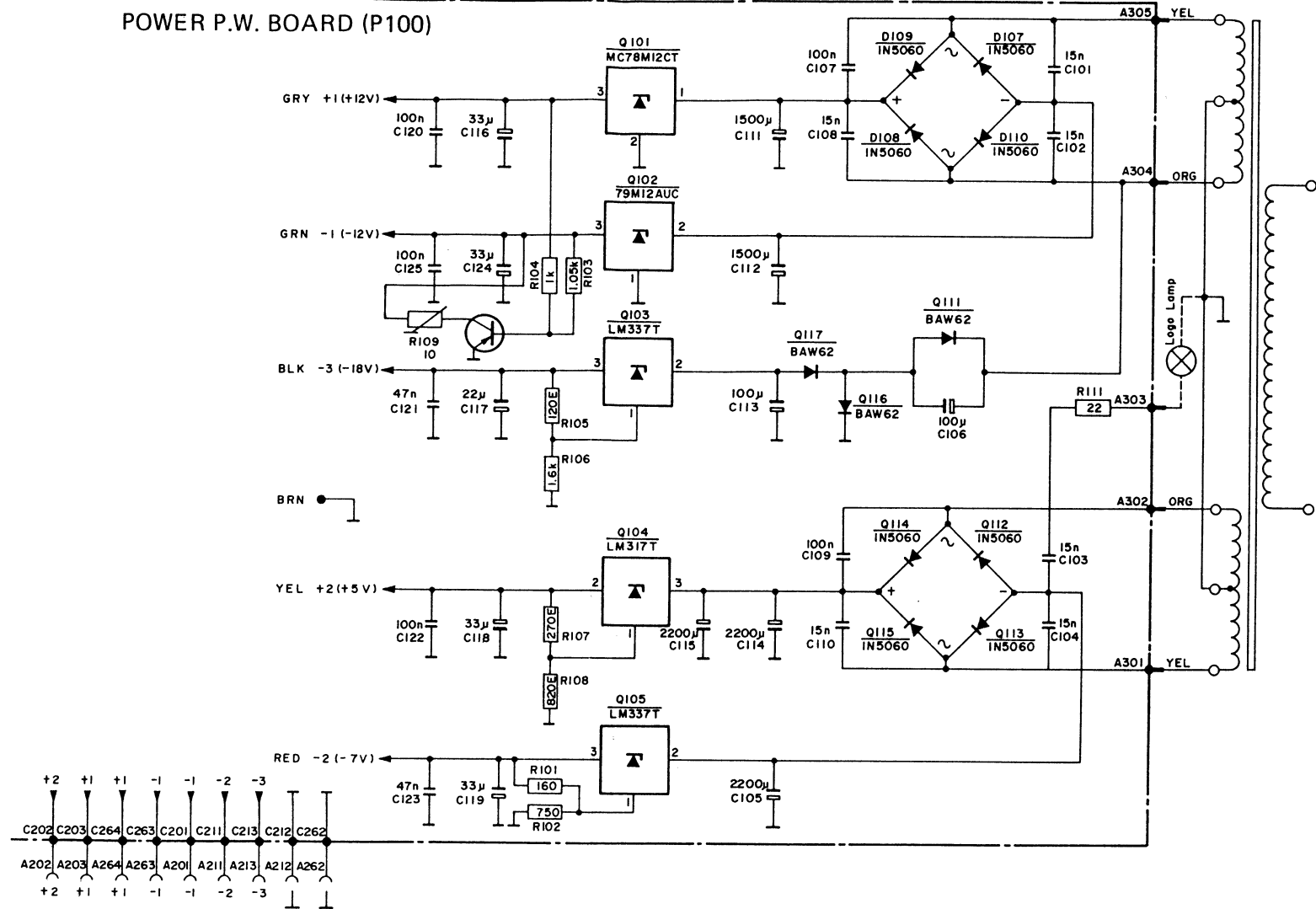


POWER P.W. BOARD (P100)



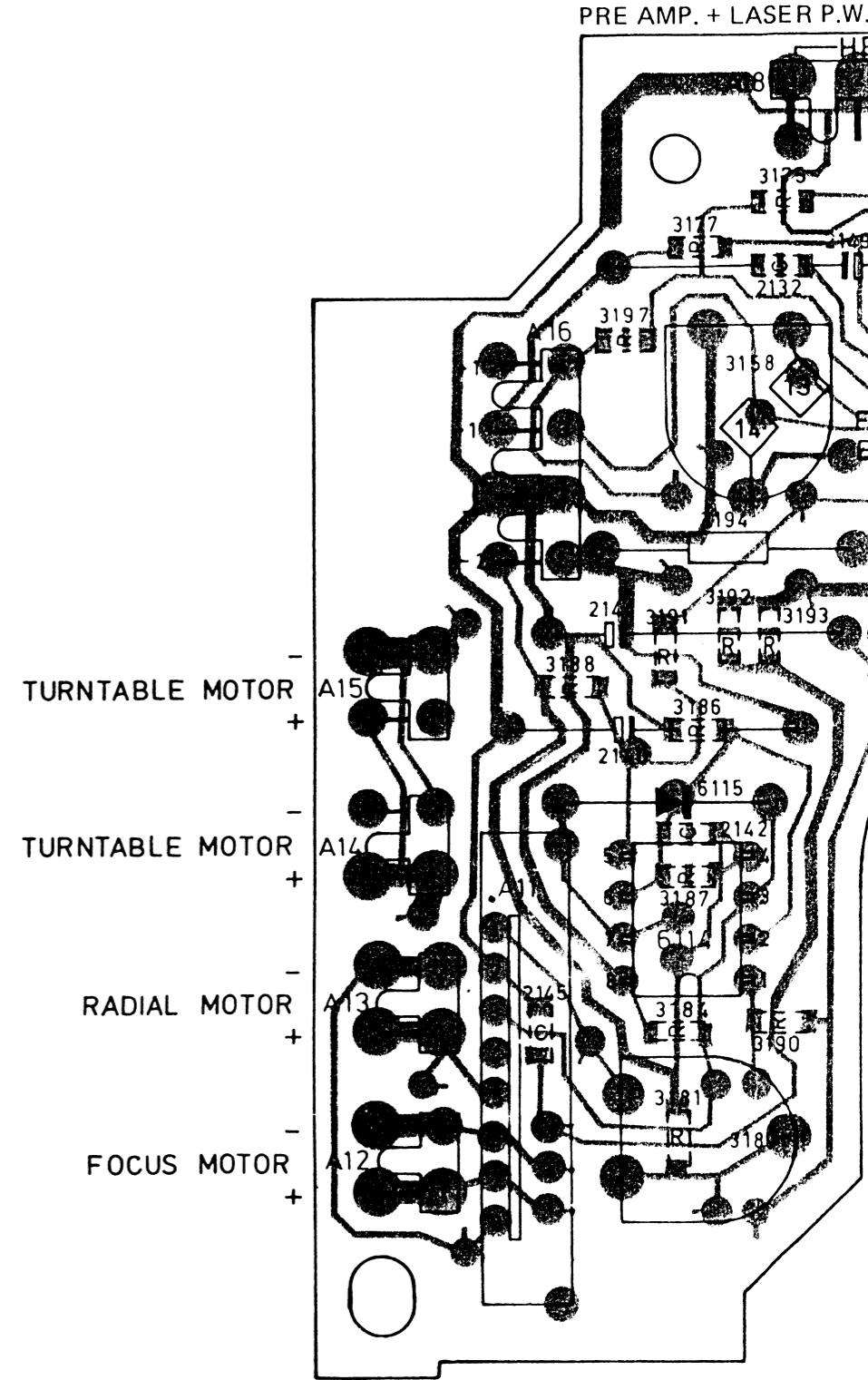
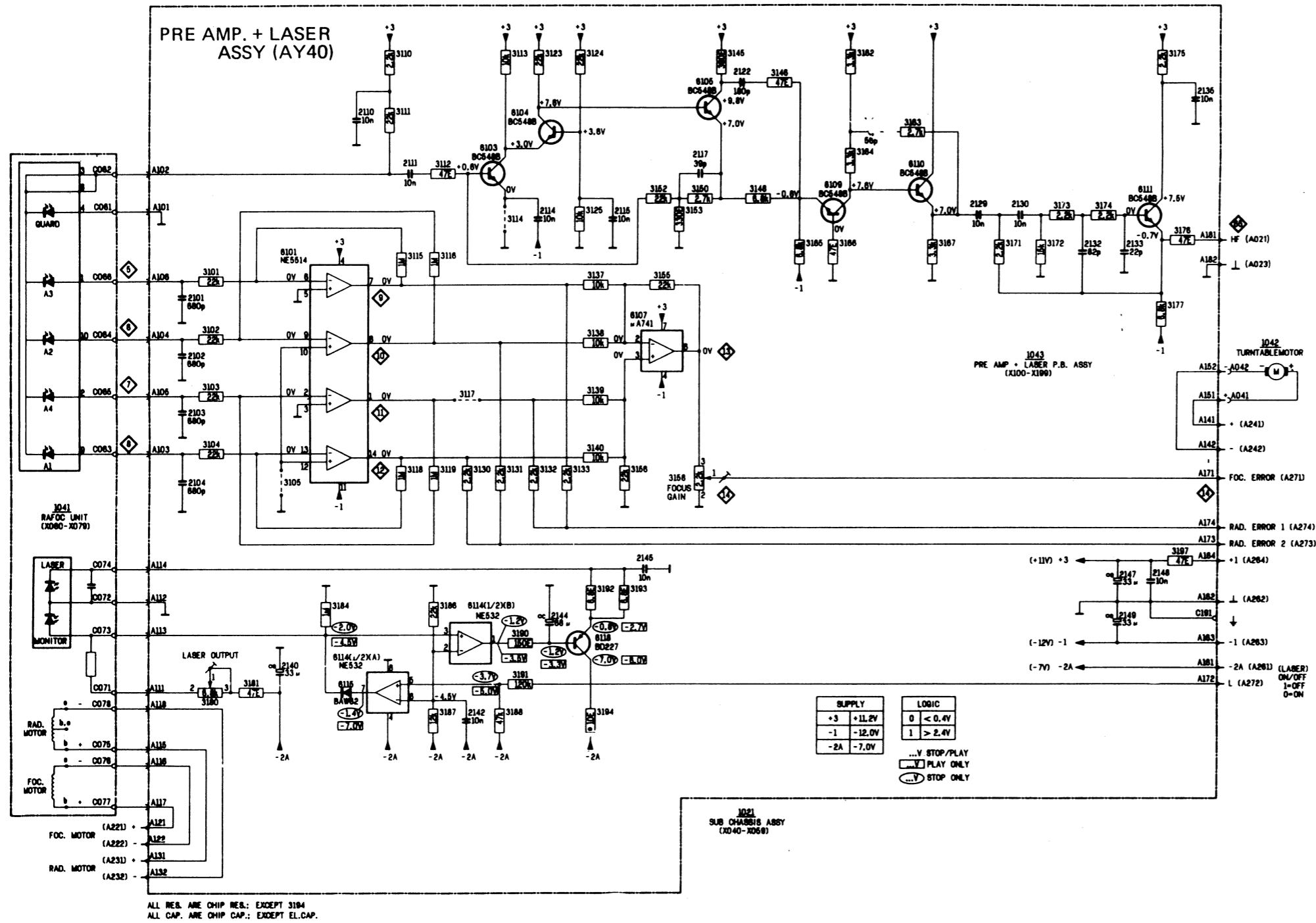
### 8.3 Power Supply (P100) Schematic Diagram and Component Locations

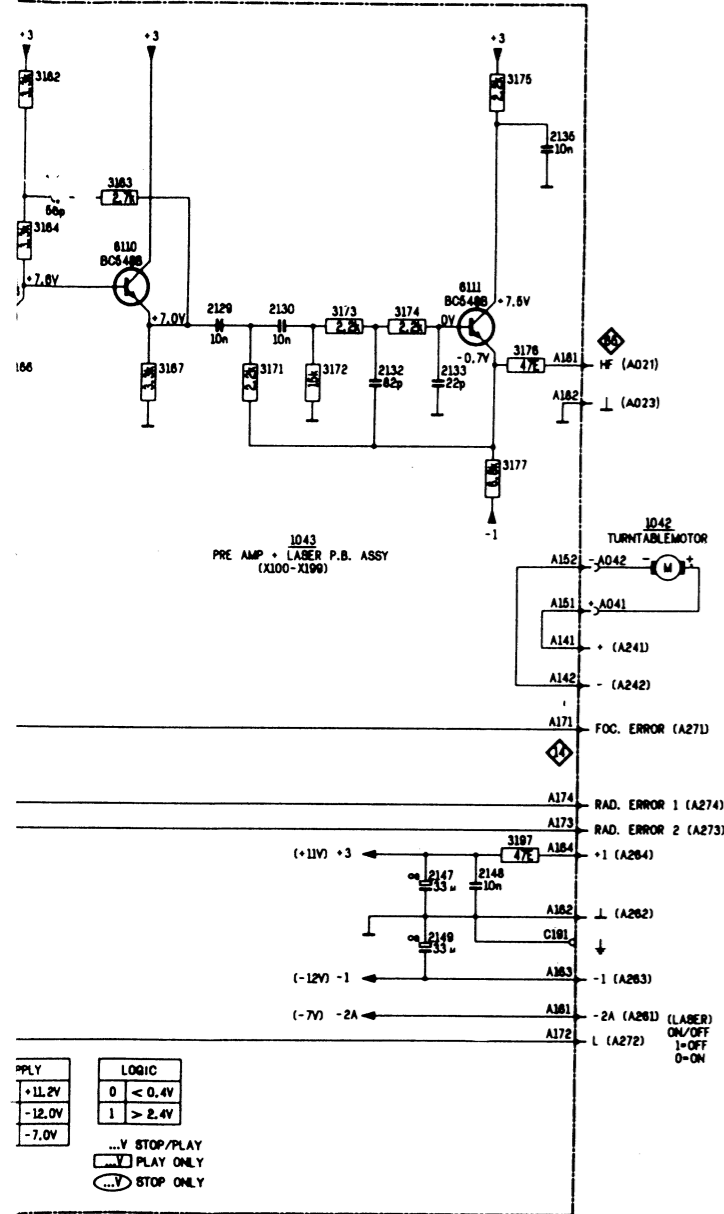
POWER P.W. BOARD (P100)



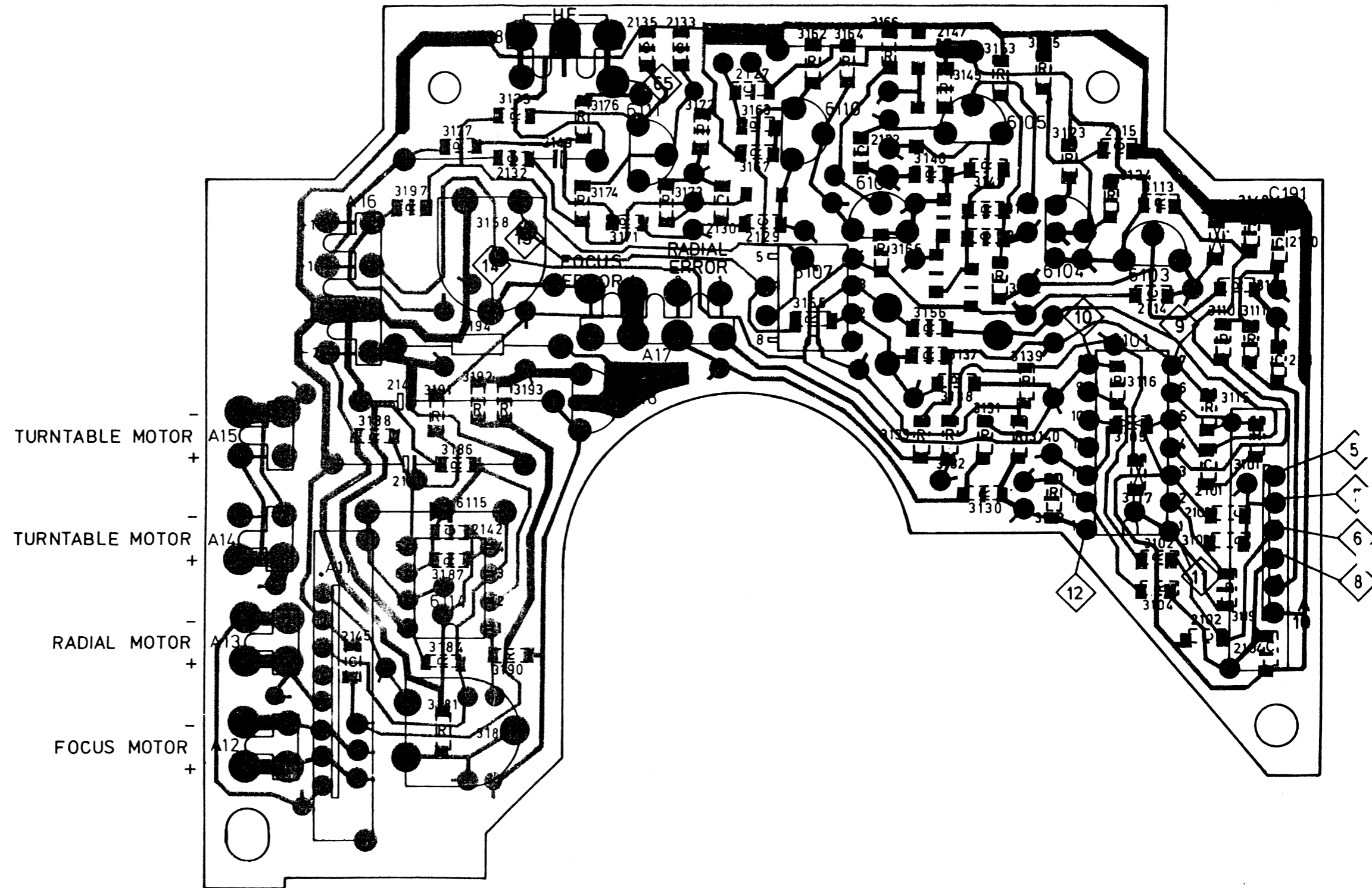


8.4 Pre Amp. + Laser (AY40) Schematic Diagram and Component Locations



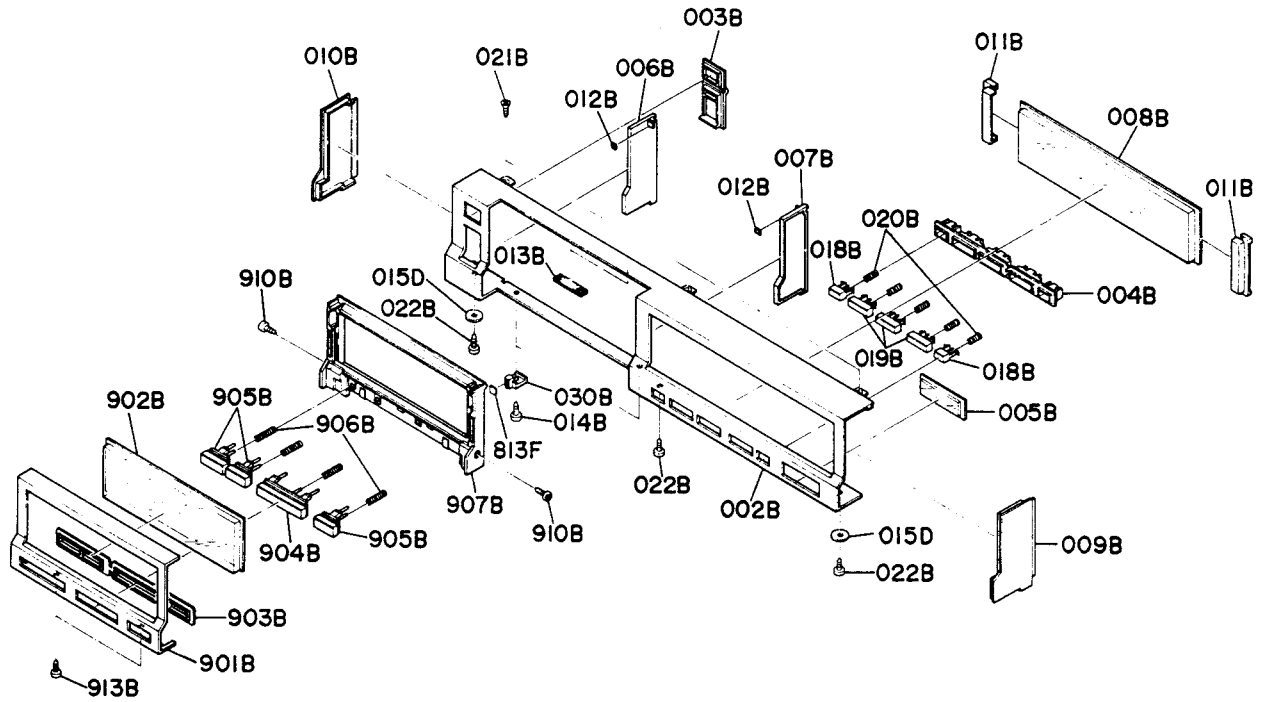


PRE AMP. + LASER P.W. BOARD



## 9. EXPLODED VIEW AND PARTS LIST

### • [C01-99] Front Panel

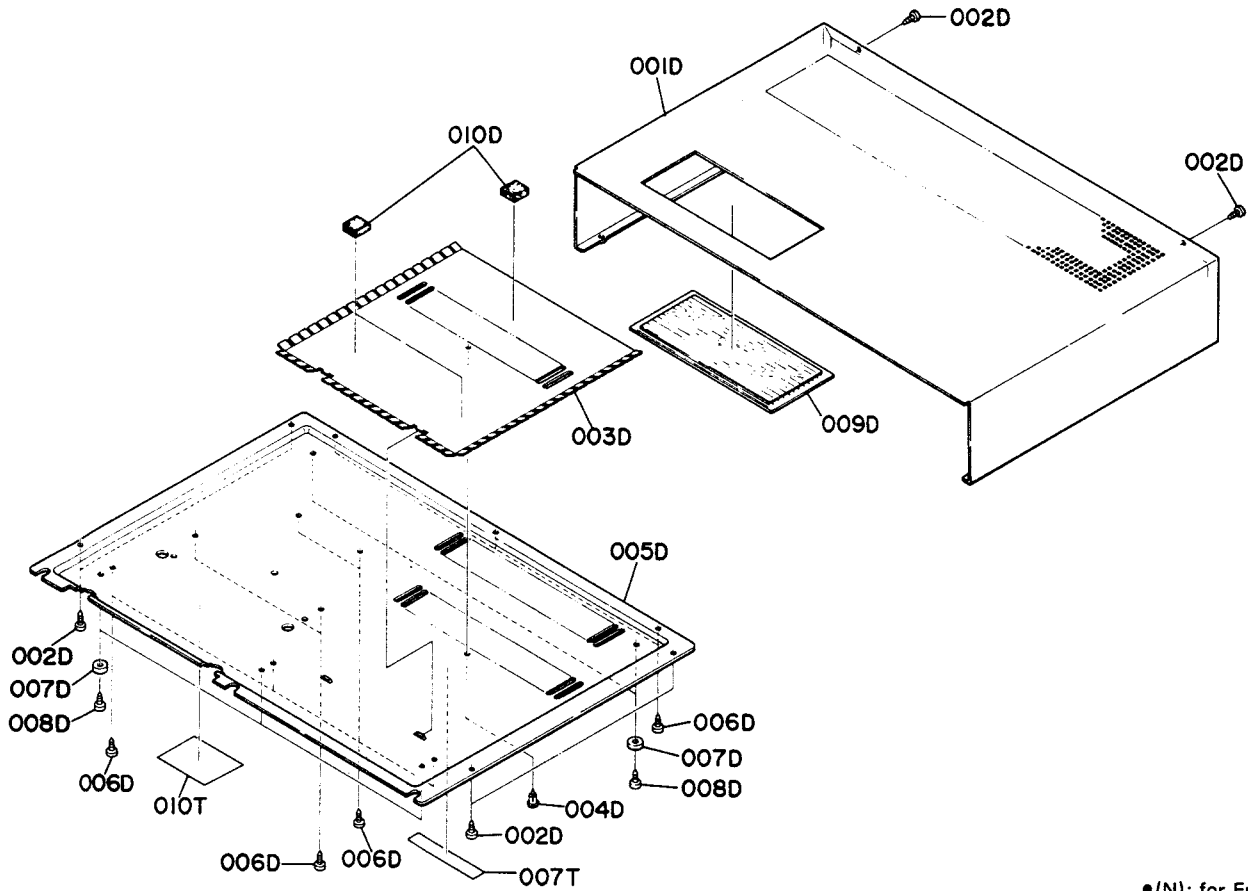


• (N): for Europe  
• (F): for Japan

| REF. DESIG. | Q'TY |   | PART NO.   | DESCRIPTION             |
|-------------|------|---|------------|-------------------------|
|             | N    | F |            |                         |
| A           | 1    | 1 | 101K063400 | Front Panel Assembly    |
| 002B        | 1    | 1 | 101K063010 | Escutcheon, Front Panel |
| 003B        | 1    | 1 | 101K259030 | Bushing, Power          |
| 004B        | 1    | 1 | 101K259010 | Bushing, Function       |
| 005B        | 1    | 1 | 101K251010 | Badge                   |
| 006B        | 1    | 1 | 101K201020 | Divition, (L)           |
| 007B        | 1    | 1 | 101K201010 | Divition, (R)           |
| 008B        | 1    | 1 | 101K158010 | Window                  |
| 009B        | 1    | 1 | 101K067010 | Cap, (R)                |
| 010B        | 1    | 1 | 101K067020 | Cap, (L)                |
| 011B        | 2    | 2 | 101K005010 | Clamper                 |
| 012B        | 2    | 2 | 101K056010 | Buffer                  |
| 013B        | 2    | 2 | 101K056030 | Buffer                  |

| REF. DESIG. | Q'TY |   | PART NO.   | DESCRIPTION               |
|-------------|------|---|------------|---------------------------|
|             | N    | F |            |                           |
| 014B        | 2    | 2 | 51280308B0 | B.H. Tapped Screw B3 x 8  |
| 018B        | 2    | 2 | 101K154010 | Knob, Stop/Cancel         |
| 019B        | 3    | 3 | 101K154020 | Knob                      |
| 020B        | 5    | 5 | 101K115130 | Spring, Knob              |
| 021B        | 2    | 2 | 51500306B0 | F.H. Taptite Screw F3 x 6 |
| 022B        | 3    | 3 | 51280308B0 | B.H. Tapped Screw B3 x 8  |
| 030B        | 2    | 2 | 101K114020 | Stopper                   |
| 901B        | 1    | 1 | 101K063020 | Escutcheon, Door          |
| 902B        | 1    | 1 | 101K158030 | Window, Door              |
| 903B        | 1    | 1 | 101K259060 | Bushing                   |
| 904B        | 1    | 1 | 101K154050 | Knob, Play                |
| 905B        | 3    | 3 | 101K154060 | Knob, FF/REV/Pause        |
| 906B        | 4    | 4 | 101K115130 | Spring, Knob              |
| 907B        | 1    | 1 | 101K271040 | Holder, Door              |
| 910B        | 2    | 2 | 51060305A9 | P.H.M. Screw P3 x 5       |
| 913B        | 2    | 2 | 51280308B0 | B.H. Tapped Screw B3 x 8  |
| 015D        | 2    | 2 | 54110149A0 | Flat Washer, L            |
| 813F        | 2    | 2 | 101K056060 | Buffer                    |

● [C02-99] Lid (Top/Bottom)

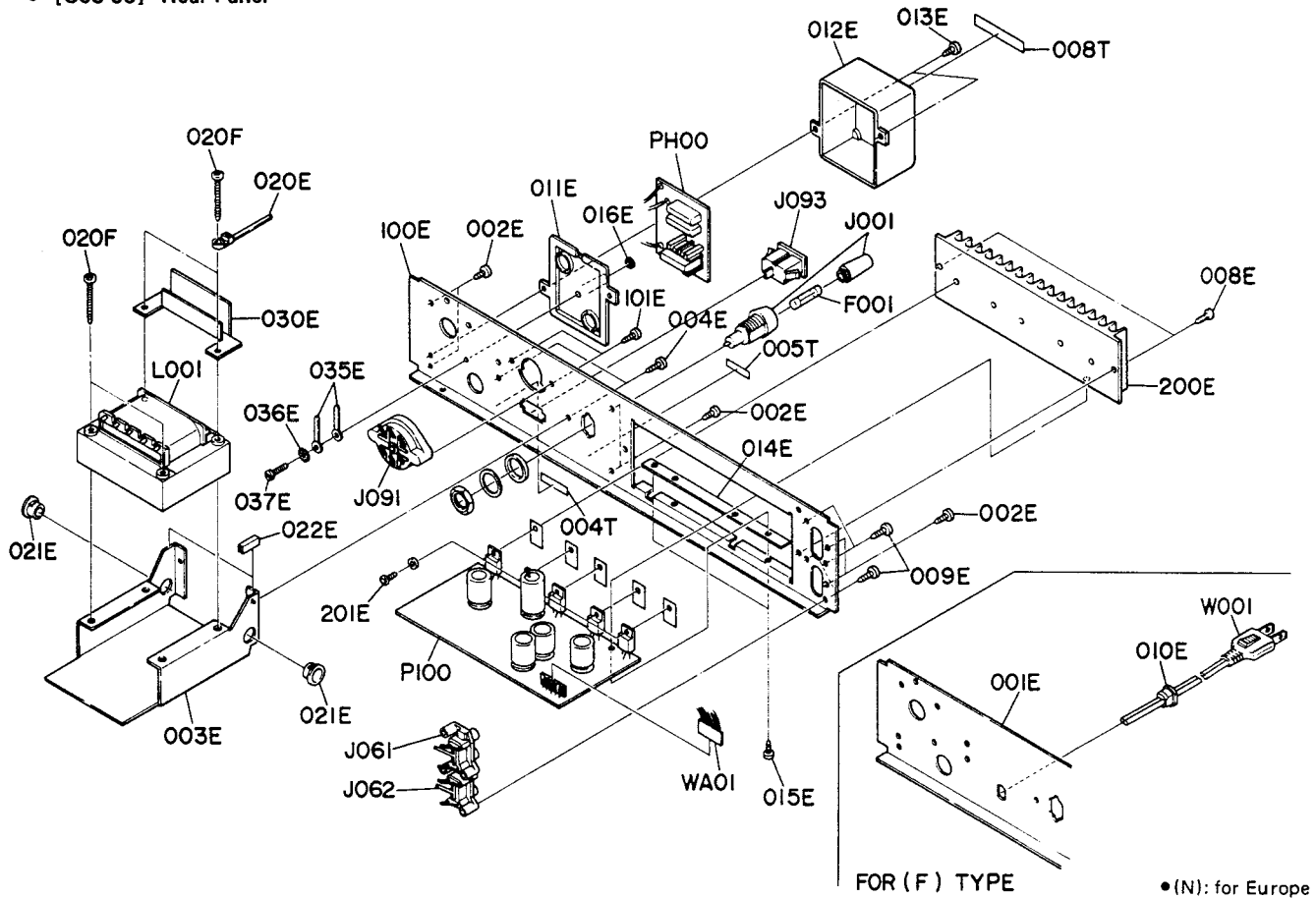


●(N): for Europe  
●(F): for Japan 38

| REF. DESIG. | Q'TY |    | PART NO.   | DESCRIPTION              |
|-------------|------|----|------------|--------------------------|
|             | N    | F  |            |                          |
| 001D        | 1    | 1  | 101K257030 | Lid, Top Cover           |
| 002D        | 6    | 6  | 51280305B0 | B.H. Tapped Screw B3 x 5 |
| 003D        | 1    | 1  | 101K109030 | Shield                   |
| 004D        | 1    | 1  | 2912259020 | Bushing                  |
| 005D        | 1    | 1  | 101K257010 | Lid, Bottom Cover        |
| 006D        | 10   | 10 | 51280305B0 | B.H. Tapped Screw B3 x 5 |
| 007D        | 5    | 5  | 136T057010 | Leg                      |
| 008D        | 5    | 5  | 51280305B0 | B.H. Tapped Screw B3 x 5 |
| 009D        | 1    | 1  | 101K158020 | Window                   |
| 010D        | 3    | 3  | 228H056010 | Buffer                   |

| REF. DESIG. | Q'TY |   | PART NO.   | DESCRIPTION          |
|-------------|------|---|------------|----------------------|
|             | N    | F |            |                      |
| 007T        | 1    |   | 2911861110 | Label, Caution       |
| 010T        |      | 1 | 101K861030 | Label, Laser Caution |

● [C03-99] Rear Panel

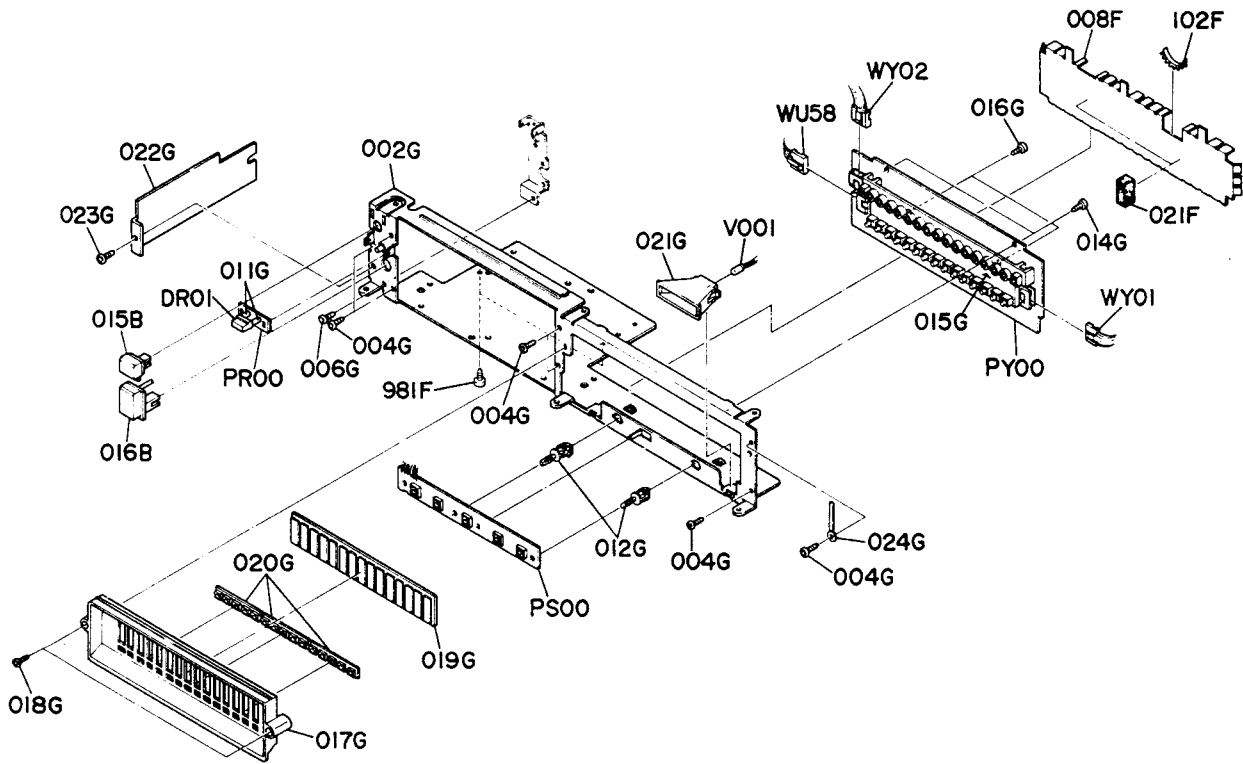


●(N): for Europe  
●(F): for Japan

| REF. DESIG. | Q'TY |   | PART NO.   | DESCRIPTION               |
|-------------|------|---|------------|---------------------------|
|             | N    | F |            |                           |
| 001E        | 1    |   | 101K053080 | Cover, Rear Panel         |
| 002E        | 6    | 6 | 51280305U0 | B.H. Tapped Screw B3 x 5  |
| 003E        | 1    | 1 | 101K160030 | Bracket, Transformer      |
| 004E        | 2    | 2 | 51280305U0 | B.H. Tapped Screw B3 x 5  |
| 008E        | 2    | 2 | 51280308U0 | B.H. Tapped Screw B3 x 8  |
| 009E        | 4    | 4 | 51280308U0 | B.H. Tapped Screw B3 x 8  |
| 010E        | 1    |   | 1455259030 | Bushing, AC Cord          |
| 011E        | 1    | 1 | 101K064020 | Case, Filter; Bottom      |
| 012E        | 1    | 1 | 101K064030 | Case, Filter; Top         |
| 013E        | 2    | 2 | 51280310U0 | B.H. Tapped Screw B3 x 10 |
| 014E        | 1    | 1 | 101K120030 | Insulator                 |
| 015E        | 2    | 2 | 51280310U0 | B.H. Tapped Screw B3 x 10 |
| 016E        | 1    | 1 | 101K056020 | Buffer                    |
| 020E        | 2    | 2 | 101K005030 | Clamper                   |
| 021E        | 2    | 2 | 101K259080 | Bushing                   |
| 022E        | 2    | 2 | 101K259090 | Bushing                   |
| 030E        | 1    |   | 101K120040 | Insulator                 |
| 035E        | 2    | 2 | 4220005030 | Clamper                   |
| 036E        | 1    | 1 | 54050300R0 | T.L. Washer, OR           |
| 037E        | 1    | 1 | 51280308B0 | B.H. Tapped Screw B3 x 8  |
| 100E        | 1    |   | 101K053050 | Cover, Rear Panel         |
| 101E        | 2    |   | 51280308U0 | B.H. Tapped Screw B3 x 8  |
| 200E        | 1    | 1 | 101K267020 | Heatsink                  |
| 201E        | 5    | 5 | 51100308S9 | B.H.M. Screw B3 x 8       |

| REF. DESIG. | Q'TY |   | PART NO.   | DESCRIPTION               |
|-------------|------|---|------------|---------------------------|
|             | N    | F |            |                           |
| 020F        | 4    | 4 | 51280435U0 | B.H. Tapped Screw B4 x 35 |
| 004T        | 1    | 1 | 2112265010 | Indicator                 |
| 005T        | 1    |   | 4581861010 | Label                     |
| 008T        | 1    | 1 | 2991861010 | Label                     |
| △F001       | 1    |   | FS10025800 | Fuse 250mA 250V           |
| △F001       | 1    |   | FS10100600 | Fuse 1A 250V              |
| △J001       | 1    |   | YJ08000290 | Jack, Fuse Holder         |
| △J001       | 1    |   | YT08000300 | Jack, Fuse Holder         |
| J061        | 1    | 1 | YT02020320 | Terminal, RCA Pin (2P)    |
| J062        | 1    | 1 | YT02020370 | Terminal, RCA Pin (2P)    |
| △J091       | 1    |   | BY05080030 | Voltage Selector          |
| △J093       | 1    |   | YP04000580 | Plug, AC Inlet            |
| △L001       | 1    |   | TS17627020 | Power Transformer         |
| △L001       | 1    |   | TS17627010 | Power Transformer         |
| △W001       | 1    |   | YC01800190 | A.C. Power Cord           |
| WA01        | 1    | 1 | YB00070040 | Connective Cord, (6P)     |

● [P01-99] Front Chassis

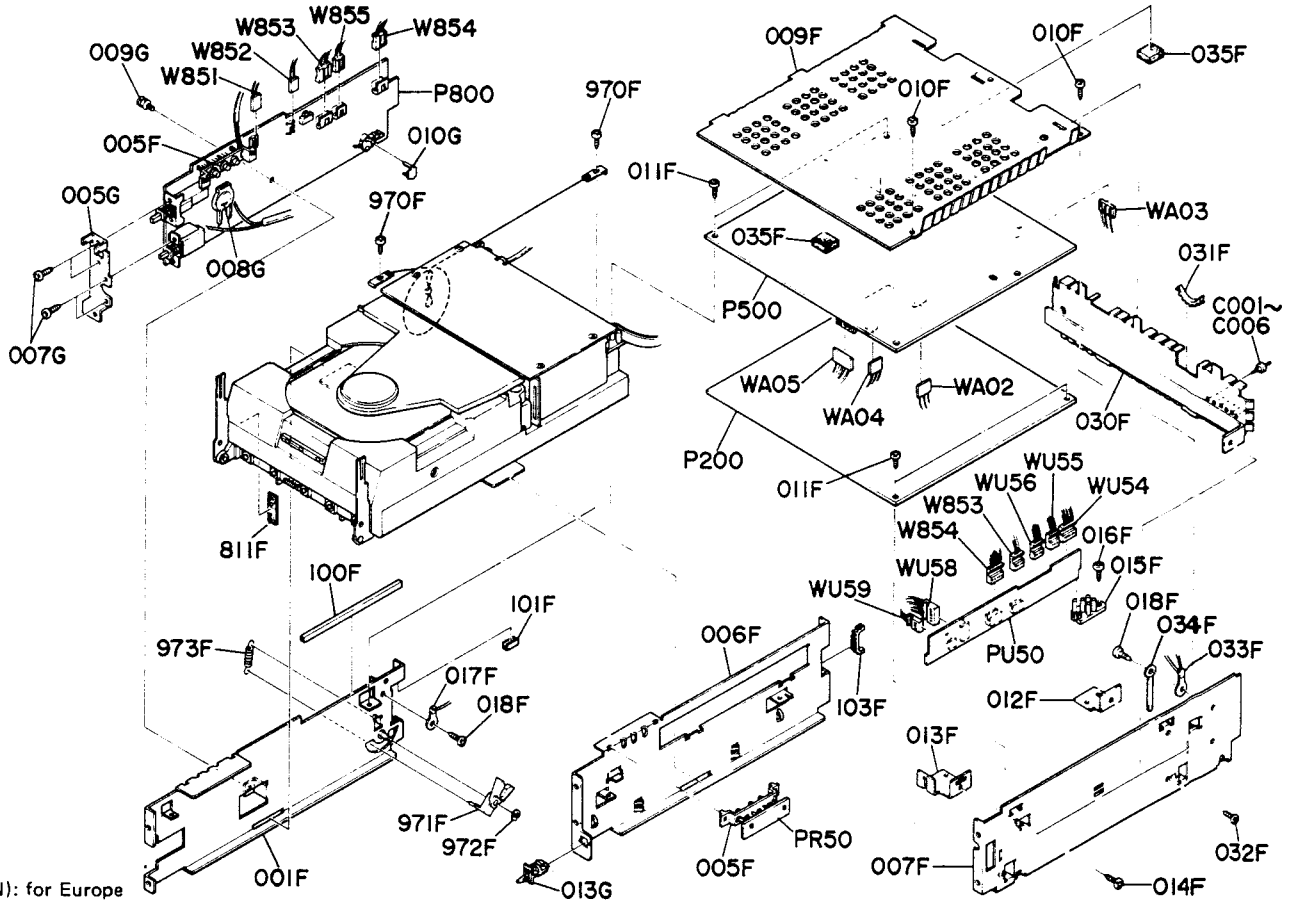


●(N): for Europe  
●(F): for Japan

| REF. DESIG. | Q'TY |   | PART NO.   | DESCRIPTION              |
|-------------|------|---|------------|--------------------------|
|             | N    | F |            |                          |
| 015B        | 1    | 1 | 101K154040 | Knob, Open/Close         |
| 016B        | 1    | 1 | 101K154030 | Knob, Power              |
| 008F        | 1    | 1 | 101K109040 | Shield, Front            |
| 021F        | 2    | 2 | 2818056030 | Buffer                   |
| 102F        | 1    | 1 | 101K259110 | Bushing                  |
| 981F        | 2    | 2 | 51280305B0 | B.H. Tapped Screw B3 x 5 |
| 002G        | 1    | 1 | 101K105010 | Chassis, Front           |
| 004G        | 6    | 6 | 51280305B0 | B.H. Tapped Screw B3 x 5 |
| 006G        | 1    | 1 | 51280305B0 | B.H. Tapped Screw B3 x 5 |
| 011G        | 1    | 1 | 101K118020 | Spacer                   |
| 012G        | 2    | 2 | 3896101010 | Support                  |
| 014G        | 2    | 2 | 51280305B0 | B.H. Tapped Screw B3 x 5 |
| 015G        | 1    | 1 | 101K271010 | Holder, LED              |
| 016G        | 2    | 2 | 51500306B0 | F.H. Tapped Screw F3 x 6 |
| 017G        | 1    | 1 | 101K280010 | Housing, Display         |
| 018G        | 2    | 2 | 51280308B0 | B.H. Tapped Screw B3 x 8 |

| REF. DESIG. | Q'TY |   | PART NO.   | DESCRIPTION              |
|-------------|------|---|------------|--------------------------|
|             | N    | F |            |                          |
| 019G        | 1    | 1 | 101K265010 | Indicator, Display       |
| 020G        | 3    | 3 | 101K265020 | Indicator, Display       |
| 021G        | 1    | 1 | 101K274010 | Reflector, Lamp          |
| 022G        | 1    | 1 | 101K120020 | Insulator                |
| 023G        | 1    | 1 | 51280308B0 | B.H. Tapped Screw B3 x 8 |
| 024G        | 1    | 1 | 4220005030 | Clamper                  |
| V001        | 1    | 1 | IN10080500 | Lamp 60mA 8V             |
| DR01        | 1    | 1 | H110032030 | L.E.D. SLP171D           |
| WU58        | 1    | 1 | YB00250170 | Connective Cord, (6P)    |
| WY01        | 1    | 1 | YB00240050 | Connective Cord, (6P)    |
| WY02        | 1    | 1 | YB00150340 | Connective Cord, (6P)    |

● [P02-99] Chassis Assembly and General Parts

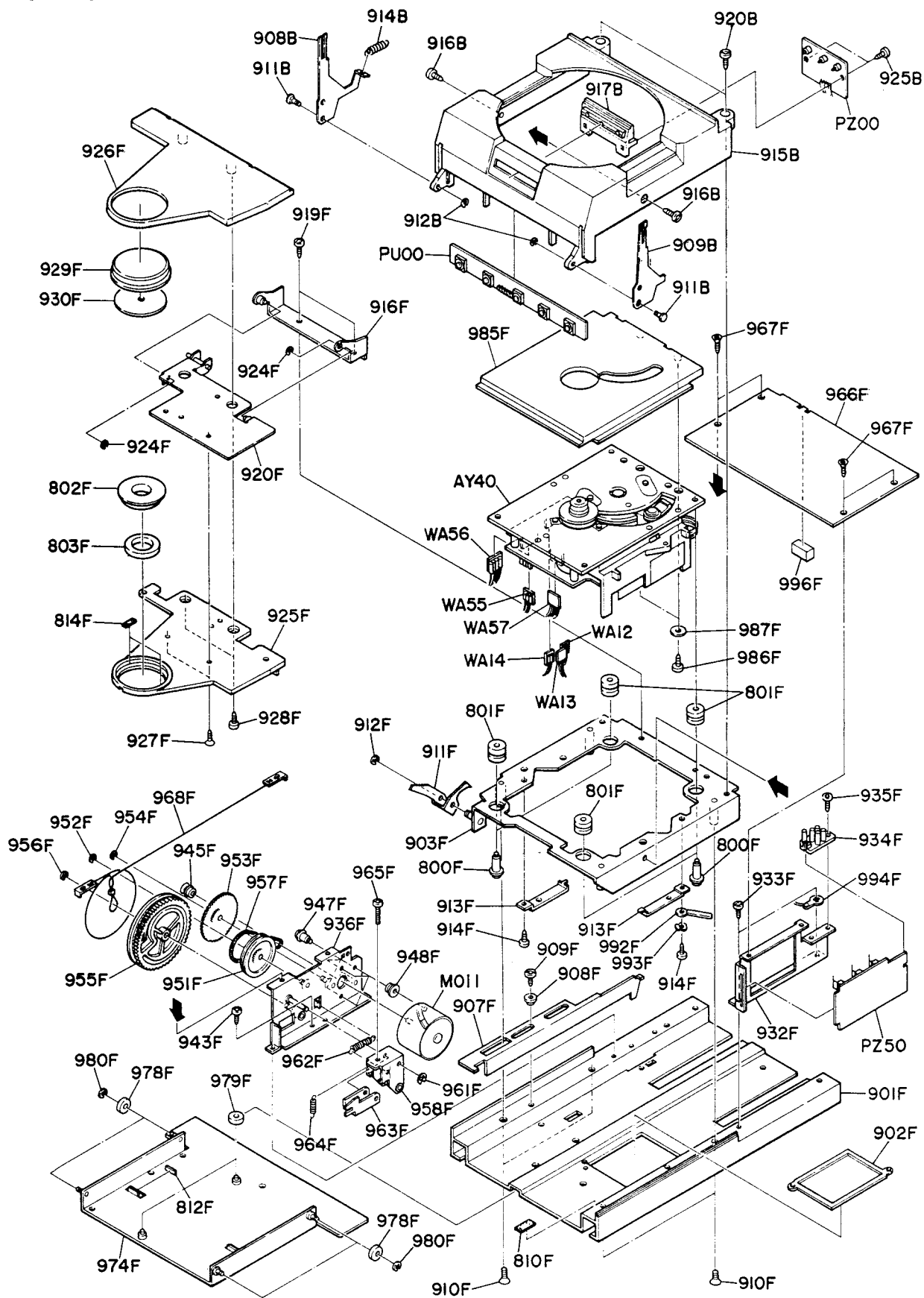


●(N): for Europe  
●(F): for Japan

| REF. DESIG. | Q'TY |   | PART NO.   | DESCRIPTION              |
|-------------|------|---|------------|--------------------------|
|             | N    | F |            |                          |
| 001F        | 1    | 1 | 101K105400 | Chassis Assembly, (L)    |
| 005F        | 2    | 2 | 101K271080 | Holder, LED              |
| 006F        | 1    | 1 | 101K105020 | Chassis, Center          |
| 007F        | 1    | 1 | 101K105030 | Chassis, (R)             |
| 009F        | 1    | 1 | 101K109020 | Shield, Top              |
| 010F        | 2    | 2 | 51280305B0 | B.H. Tapped Screw B3 x 5 |
| 011F        | 4    | 4 | 51280305B0 | B.H. Tapped Screw B3 x 5 |
| 012F        | 1    | 1 | 101K160150 | Bracket                  |
| 013F        | 1    | 1 | 101K160160 | Bracket                  |
| 014F        | 2    | 2 | 51280305B0 | B.H. Tapped Screw B3 x 5 |
| 015F        | 1    | 1 | 101K271050 | Holder                   |
| 016F        | 1    | 1 | 51280305B0 | B.H. Tapped Screw B3 x 5 |
| 017F        | 1    | 1 | 62030039W0 | Lug, Earth               |
| 018F        | 2    | 2 | 51280305B0 | B.H. Tapped Screw B3 x 5 |
| 030F        | 1    | 1 | 101K109070 | Shield, Rear             |
| 031F        | 1    | 1 | 101K259110 | Bushing                  |
| 032F        | 1    | 1 | 51280305B0 | B.H. Tapped Screw B3 x 5 |
| 033F        | 1    | 1 | 62030049W0 | Lug, Earth               |
| 034F        | 1    | 1 | 4220005030 | Clamper                  |
| 035F        | 3    | 3 | 228H056010 | Buffer                   |
| 100F        | 1    | 1 | 101K259100 | Bushing                  |
| 101F        | 1    | 1 | 101K259090 | Bushing                  |
| 103F        | 1    | 1 | 101K259110 | Bushing                  |
| 811F        | 1    | 1 | 101K056050 | Buffer                   |
| 970F        | 2    | 2 | 51280305B0 | B.H. Tapped Screw B3 x 5 |
| 971F        | 1    | 1 | 101K002050 | Arm, Lock                |
| 972F        | 1    | 1 | 64000300R0 | RG Ring, E Type          |
| 973F        | 1    | 1 | 101K115080 | Spring, Lock Arm         |

| REF. DESIG. | Q'TY |   | PART NO.   | DESCRIPTION           |
|-------------|------|---|------------|-----------------------|
|             | N    | F |            |                       |
| 005G        | 1    | 1 | 101K160050 | Bracket, Power Switch |
| 007G        | 4    | 4 | 51100305A9 | B.H.M. Screw B3 x 5   |
| 008G        | 1    | 1 | 403H120010 | Insulator             |
| 009G        | 1    | 1 | 101K118010 | Spacer                |
| 010G        | 1    | 1 | 101K271070 | Holder                |
| 013G        | 1    | 1 | 203H101010 | Support               |
| C001        | 6    | 6 | DC18202060 | Feedthru Cap. 2000pF  |
| C006        |      |   |            |                       |
| W851        | 1    | 1 | YB00150360 | Connective Cord, (2P) |
| W852        | 1    | 1 | YB00500310 | Connective Cord, (2P) |
| W853        | 1    | 1 | YB00700180 | Connective Cord, (4P) |
| W854        | 1    | 1 | YB00650030 | Connective Cord, (5P) |
| W855        | 1    | 1 | YB00580010 | Connective Cord, (3P) |
| WA02        | 1    | 1 | YB00180160 | Connective Cord       |
| WA03        | 1    | 1 | YB00170060 | Connective Cord       |
| WA04        | 1    | 1 | YB00170070 | Connective Cord       |
| WA05        | 1    | 1 | YB00170080 | Connective Cord       |
| WU51        | 1    | 1 | YB00380030 | Connective Cord, (8P) |
| WU52        | 1    | 1 | YB00380030 | Connective Cord, (8P) |
| WU53        | 1    | 1 | YB00380030 | Connective Cord, (8P) |
| WU54        | 1    | 1 | YB00380040 | Connective Cord, (6P) |
| WU55        | 1    | 1 | YB00300640 | Connective Cord, (3P) |
| WU56        | 1    | 1 | YB00400340 | Connective Cord, (4P) |
| WU58        | 1    | 1 | YB00250170 | Connective Cord, (6P) |
| WU59        | 1    | 1 | YB00130080 | Connective Cord, (3P) |

● [P03-99] Mecha Case and General Parts



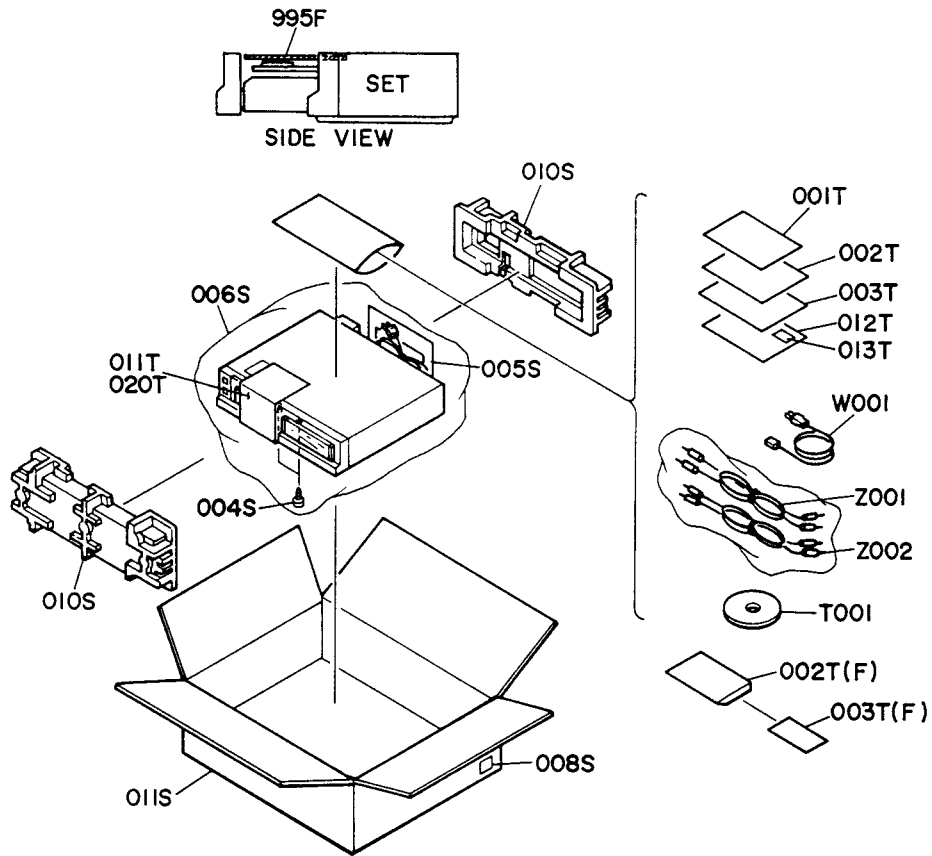


•(N): for Europe  
•(F): for Japan

| REF. DESIG. | Q'TY |   | PART NO.   | DESCRIPTION              |
|-------------|------|---|------------|--------------------------|
|             | N    | F |            |                          |
| 908B        | 1    | 1 | 101K160120 | Bracket, Door (L)        |
| 909B        | 1    | 1 | 101K160130 | Bracket, Door (R)        |
| 911B        | 2    | 2 | 101K112120 | Shaft, Door              |
| 912B        | 2    | 2 | 64000300R0 | RG Ring, E Type          |
| 914B        | 1    | 1 | 101K115120 | Spring                   |
| 915B        | 1    | 1 | 101K064010 | Case, Mecha              |
| 916B        | 2    | 2 | 51100308A9 | B.H.M. Screw B3 x 8      |
| 917B        | 1    | 1 | 101K160020 | Bracket, LED             |
| 920B        | 2    | 2 | 51280308B0 | B.H. Tapped Screw B3 x 8 |
| 925B        | 2    | 2 | 51280308B0 | B.H. Tapped Screw B3 x 8 |
| 800F        | 4    | 4 | 101K112170 | Shaft                    |
| 801F        | 4    | 4 | 101K259050 | Bushing, Mecha           |
| 802F        | 1    | 1 | 101K353010 | Ring                     |
| 803F        | 1    | 1 | 101K252010 | Pad                      |
| 810F        | 1    | 1 | 101K056040 | Buffer                   |
| 812F        | 1    | 1 | 101K056050 | Buffer                   |
| 814F        | 2    | 2 | 101K056070 | Buffer                   |
| 901F        | 1    | 1 | 101K051020 | Guide                    |
| 902F        | 1    | 1 | 101K067040 | Cap                      |
| 903F        | 1    | 1 | 101K160420 | Bracket Assembly, Mecha  |
| 907F        | 1    | 1 | 101K354020 | Lever, Door Open         |
| 908F        | 1    | 1 | 101K055010 | Collar                   |
| 909F        | 1    | 1 | 51280308B0 | B.H. Tapped Screw B3 x 8 |
| 910F        | 4    | 4 | 51040308A9 | F.H.M. Screw F3 x 8      |
| 911F        | 1    | 1 | 101K002040 | Arm, Door Open           |
| 912F        | 1    | 1 | 64000300R0 | RG Ring, E Type          |
| 913F        | 2    | 2 | 101K104020 | Retainer                 |
| 914F        | 2    | 2 | 51280305B0 | B.H. Tapped Screw B3 x 5 |
| 916F        | 1    | 1 | 101K104400 | Retainer Assembly        |
| 919F        | 2    | 2 | 51280305B0 | B.H. Tapped Screw B3 x 5 |
| 920F        | 1    | 1 | 101K160400 | Bracket, Assembly        |
| 924F        | 2    | 2 | 64000300R0 | RG Ring, E Type          |
| 925F        | 1    | 1 | 101K271030 | Holder, Pressure Ring    |
| 926F        | 1    | 1 | 101K053070 | Cover, Pressure Ring     |
| 927F        | 2    | 2 | 51040305A9 | F.H.M. Screw F3 x 5      |
| 928F        | 2    | 2 | 51280308B0 | B.H. Tapped Screw B3 x 8 |
| 929F        | 1    | 1 | 101K067030 | Cap, Pressure Ring       |
| 930F        | 1    | 1 | 101K263020 | Brake                    |
| 932F        | 1    | 1 | 101K160110 | Bracket                  |
| 933F        | 2    | 2 | 51280308B0 | B.H. Tapped Screw B3 x 8 |
| 934F        | 1    | 1 | 101K271050 | Holder                   |
| 935F        | 1    | 1 | 51280308B0 | B.H. Tapped Screw B3 x 8 |
| 936F        | 1    | 1 | 101K160410 | Bracket Assembly, Motor  |
| 943F        | 2    | 2 | 51280308B0 | B.H. Tapped Screw B3 x 8 |
| 945F        | 1    | 1 | 101K262020 | Pulley, Motor            |
| 947F        | 3    | 3 | 4367112150 | Shaft, Motor             |
| 948F        | 3    | 3 | 313Y259010 | Bushing                  |
| 951F        | 1    | 1 | 101K262010 | Pulley, Idler            |
| 952F        | 1    | 1 | 64001500R0 | RG Ring, E Type          |
| 953F        | 1    | 1 | 101K058010 | Gear, Idler              |
| 954F        | 1    | 1 | 64001500R0 | RG Ring, E Type          |
| 955F        | 1    | 1 | 101K058030 | Gear, Drive              |
| 956F        | 1    | 1 | 64000200R0 | RG Ring, E Type          |
| 957F        | 1    | 1 | 101K264010 | Belt, Drive              |
| 958F        | 1    | 1 | 101K002400 | Arm, Drive Assembly      |

| REF. DESIG. | Q'TY |   | PART NO.   | DESCRIPTION                          |
|-------------|------|---|------------|--------------------------------------|
|             | N    | F |            |                                      |
| 961F        | 1    | 1 | 64000300R0 | RG Ring, E Type                      |
| 962F        | 1    | 1 | 101K115090 | Spring                               |
| 963F        | 1    | 1 | 101K002030 | Arm                                  |
| 964F        | 1    | 1 | 101K115070 | Spring                               |
| 965F        | 1    | 1 | 51100315A9 | B.H.M. Screw B3 x 15                 |
| 966F        | 1    | 1 | 101K257020 | Lid, Mecha                           |
| 967F        | 4    | 4 | 51500306B0 | F.H. Taptite Screw F3 x 6            |
| 968F        | 1    | 1 | 101K125500 | Joint, (K)                           |
| 974F        | 1    | 1 | 101K051400 | Guide Assembly, Rai.                 |
| 978F        | 4    | 4 | 101K358010 | Roller, B                            |
| 979F        | 2    | 2 | 101K358020 | Roller, A                            |
| 980F        | 4    | 4 | 64000200R0 | RG Ring, E Type                      |
| 985F        | 1    | 1 | 101K053060 | Cover, Mecha                         |
| 986F        | 2    | 2 | 51380205A0 | P.H. Tapped Screw P2 x 5             |
| 987F        | 2    | 2 | 54022601A0 | Flat Washer, P.                      |
| 992F        | 1    | 1 | 4220005020 | Clamper                              |
| 993F        | 1    | 1 | 54050300R0 | T.L. Washer, OR                      |
| 994F        | 1    | 1 | 62030039W0 | Lug, Earth                           |
| 996F        | 1    | 1 | 2818056030 | Buffer                               |
| AY40        | 1    | 1 | AY101K0040 | Sub Chassis Assembly                 |
| M011        | 1    | 1 | MM01500020 | D.C. Motor, Drive                    |
| WA12        | 1    | 1 | YB00209010 | Connective Cord, (2P)                |
| WA13        | 1    | 1 | YB00219010 | Connective Cord, (2P)                |
| WA14        | 1    | 1 | YB00229010 | Connective Cord, (2P)                |
| WA55        | 1    | 1 | YB00279010 | Connective Cord, (3P)                |
| WA56        | 1    | 1 | YB00259010 | Connective Cord, (4P)                |
| WA57        | 1    | 1 | YB00279020 | Connective Cord, (4P)                |
|             | 1    | 1 | QR11718120 | Pre-Amp. + Laser P.W. Board Assembly |

● [H01-99] Packing Materials



●(N): for Europe  
●(F): for Japan

| REF. DESIG. | Q'TY |   | PART NO.   | DESCRIPTION               |
|-------------|------|---|------------|---------------------------|
|             | N    | F |            |                           |
| 004S        | 2    | 2 | 51400350Y0 | B.H. Tapped Screw B3 x 50 |
| 005S        | 1    |   | 2864804010 | Sleeve                    |
| 006S        | 1    | 1 | 9090808030 | Polyethylene Sheet        |
| 008S        | 4    |   | 9526019060 | Serial No. Card           |
| 008S        | 4    |   | 9526019040 | Serial No. Card           |
| 010S        | 1    | 1 | 101K809030 | Cushion, Front/Rear       |
| 011S        | 1    | 1 | 101K801030 | Packing Case              |
| 001T        | 1    |   | 101K851310 | Instructions              |
| 001T        | 1    |   | 101K851110 | Instructions              |
| 002T        | 1    |   | 101K851320 | Instructions, Spec        |
| 002T        | 1    |   | 9631000130 | Guarantee Card            |
| 003T        | 1    |   | 101K856010 | Circuit Diagram           |
| 003T        | 1    |   | 128T854010 | Guarantee Card            |
| 011T        | 1    |   | 101K861040 | Label, Transportation     |
| 012T        | 1    |   | 9611000050 | User's Card               |
| 013T        | 1    |   | 9540000010 | License                   |
| 020T        | 1    |   | 101K861050 | Label, Transportation     |

| REF. DESIG. | Q'TY |   | PART NO.   | DESCRIPTION                |
|-------------|------|---|------------|----------------------------|
|             | N    | F |            |                            |
| T001        | 1    | 1 | UD01200020 | Disc, Demo                 |
| W001        | 1    |   | ZC01805010 | A.C. Power Cord            |
| Z001        | 1    | 1 | ZD01000240 | Connective Cord, Audio Out |
| Z002        | 1    | 1 | ZD01000220 | Connective Cord, Remocon   |
| 995F        | 1    | 1 | 101K269010 | Protector                  |

# 10. ELECTRICAL PARTS LIST

•(N): for Europe  
•(F): for Japan

| REF. DESIG.   | Q'TY |   | PART NO.                 | DESCRIPTION   |
|---|------|---|--------------------------|---|
|   | N    | F |                          |   |
| P100  | 1    | 1 | YK101K1220<br>ZZ101K8220 | <b>P100-POWER SUPPLY<br/>CIRCUIT BOARD</b><br>P.W. Board, Power Supply<br>P.W. Board Assembly |
| <b>P100-CAPACITORS</b>                                  |      |   |                          |   |
| C101  | 1    | 1 | DK18153300               | Ceramic 0.015μF   |
| C102  | 1    | 1 | DK18153300               | Ceramic 0.015μF   |
| C103  | 1    | 1 | DK18153300               | Ceramic 0.015μF   |
| C104  | 1    | 1 | DK18153300               | Ceramic 0.015μF   |
| C105  | 1    | 1 | EA22801630               | Elect 2200μF 16V  |
| C106  | 1    | 1 | OA47702510               | Elect 470μF 25V   |
| C107  | 1    | 1 | DF17104350               | Film 0.1μF ±20%   |
| C108  | 1    | 1 | DK18153300               | Ceramic 0.015μF   |
| C109  | 1    | 1 | DF17104350               | Film 0.1μF ±20%   |
| C110  | 1    | 1 | DK18153300               | Ceramic 0.015μF   |
| C111  | 1    | 1 | OA33802510               | Elect 3300μF 25V  |
| C112  | 1    | 1 | OA33802510               | Elect 3300μF 25V  |
| C113  | 1    | 1 | OA47702510               | Elect 470μF 25V   |
| C114  | 1    | 1 | OA33801610               | Elect 3300μF 16V  |
| C115  | 1    | 1 | OA33801610               | Elect 3300μF 16V  |
| C116  | 1    | 1 | OA47601610               | Elect 47μF 16V  |
| C117  | 1    | 1 | EA22602530               | Elect 22μF 25V  |
| C118  | 1    | 1 | EA33601630               | Elect 33μF 16V  |
| C119  | 1    | 1 | EA33601630               | Elect 33μF 16V  |
| C120  | 1    | 1 | DF16104510               | Film 0.1μF ±10%   |
| C121  | 1    | 1 | DF16104510               | Film 0.1μF ±10%   |
| C122  | 1    | 1 | DF16104510               | Film 0.1μF ±10%   |
| C123  | 1    | 1 | DK18473320               | Ceramic 0.047μF   |
| C124  | 1    | 1 | OA47601610               | Elect 47μF 16V  |
| C125  | 1    | 1 | DF16104510               | Film 0.1μF ±10%   |
| <b>P100-RESISTORS</b><br>(All Resistors are ±5% and ¼W) |      |   |                          |   |
| R101  | 1    | 1 | GD05121140               | 120Ω  |
| R102  | 1    | 1 | GD05561140               | 560Ω  |
| R103  | 1    | 1 | GD05102140               | 1KΩ   |
| R104  | 1    | 1 | GD05102140               | 1KΩ   |
| R107  | 1    | 1 | GD05271140               | 270Ω  |
| R108  | 1    | 1 | GD05821140               | 820Ω  |
| R109  | 1    | 1 | HH00001490               | Thermistor  |
| R110  | 1    | 1 | GD0547014G               | 47Ω   |
| R111  | 1    | 1 | GA05220020               | 22Ω 2W  |
| <b>P100-SEMICONDUCTORS</b>                              |      |   |                          |   |
| D107  | 1    | 1 | HD20009290               | Diode S2V20   |
| D108  | 1    | 1 | HD20009290               | Diode S2V20   |
| D109  | 1    | 1 | HD20009290               | Diode S2V20   |
| D110  | 1    | 1 | HD20009290               | Diode S2V20   |
| D111  | 1    | 1 | HD20003210               | Diode 1S2471  |
| D112  | 1    | 1 | HD20009290               | Diode S2V20   |
| D113  | 1    | 1 | HD20009290               | Diode S2V20   |
| D114  | 1    | 1 | HD20009290               | Diode S2V20   |
| D115  | 1    | 1 | HD20009290               | Diode S2V20   |
| D116  | 1    | 1 | HD20003210               | Diode 1S2471  |
| D117  | 1    | 1 | HD20003210               | Diode 1S2471  |
| Q101  | 1    | 1 | HC10043060               | IC μPC7812H   |
| Q102  | 1    | 1 | HC10044060               | IC μPC7912H   |
| Q103  | 1    | 1 | HC10079060               | IC μPC7918H   |
| Q104  | 1    | 1 | HC10013360               | IC LM317T   |
| Q105  | 1    | 1 | HC10014360               | IC LM337T   |
| Q106  | 1    | 1 | HT106831D0               | Transistor 2SA683(S)  |

| REF. DESIG.   | Q'TY |   | PART NO.                 | DESCRIPTION                             |
|---|------|---|--------------------------|---|
|   | N    | F |                          |   |
| J101  | 1    | 1 | YP06002420               | <b>P100-MISCELLANEOUS</b><br>Plug, (6P) |
| WA01  | 1    | 1 | YB00070040               | Connective Cord, (6P)                   |
| <b>P200-SERVO CIRCUIT BOARD</b><br>P.W. Board, Servo<br>P.W. Board Assembly |      |   |                          |   |
| P200  | 1    | 1 | YG101K0010<br>ZZ101K8010 |   |
| <b>P200-CAPACITORS</b>  |      |   |                          |   |
| C201  | 1    | 1 | DA17103010               | Ceramic 0.01μF ±20%                     |
| C203  | 1    | 1 | DA17103010               | Ceramic 0.01μF ±20%                     |
| C204  | 1    | 1 | DF15104350               | Film 0.1μF ±5%                          |
| C205  | 1    | 1 | DF74273010               | Film 0.027μF ±2%                        |
| C207  | 1    | 1 | EA33601630               | Elect 33μF 16V                          |
| C208  | 1    | 1 | DA17103010               | Ceramic 0.01μF ±20%                     |
| C209  | 1    | 1 | EA10505030               | Elect 1μF 50V                           |
| C210  | 1    | 1 | DD15270370               | Ceramic 27pF ±5%                        |
| C211  | 1    | 1 | DF15104350               | Film 0.1μF ±5%                          |
| C212  | 1    | 1 | DK16331300               | Ceramic 330pF ±10%                      |
| C213  | 1    | 1 | DD15270370               | Ceramic 27pF ±5%                        |
| C214  | 1    | 1 | EQ22601630               | Elect 22μF 16V                          |
| C215  | 1    | 1 | DF15154350               | Film 0.15μF ±5%                         |
| C216  | 1    | 1 | DA17103010               | Ceramic 0.01μF ±20%                     |
| C217  | 1    | 1 | EQ22601630               | Elect 22μF 16V                          |
| C218  | 1    | 1 | DF15103350               | Film 0.01μF ±5%                         |
| C219  | 1    | 1 | DF15473350               | Film 0.047μF ±5%                        |
| C223  | 1    | 1 | DA16331010               | Ceramic 330pF ±10%                      |
| C224  | 1    | 1 | DA16331010               | Ceramic 330pF ±10%                      |
| C225  | 1    | 1 | DK16331300               | Ceramic 330pF ±10%                      |
| C228  | 1    | 1 | DF15104350               | Film 0.1μF ±5%                          |
| C227  | 1    | 1 | DA16331010               | Ceramic 330pF ±10%                      |
| C233  | 1    | 1 | DF15474350               | Film 0.47μF ±5%                         |
| C235  | 1    | 1 | DA17103010               | Ceramic 0.01μF ±20%                     |
| C236  | 1    | 1 | DF74562010               | Film 5600pF ±2%                         |
| C237  | 1    | 1 | DF15333350               | Film 0.033μF ±5%                        |
| C238  | 1    | 1 | DF74562010               | Film 5600pF ±2%                         |
| C239  | 1    | 1 | DF55391090               | Film 390pF ±5%                          |
| C241  | 1    | 1 | EA33601630               | Elect 33μF 16V                          |
| C242  | 1    | 1 | EA33601630               | Elect 33μF 16V                          |
| C243  | 1    | 1 | DF15474350               | Film 0.47μF ±5%                         |
| C244  | 1    | 1 | DF55681090               | Film 680pF ±5%                          |
| C246  | 1    | 1 | DF74682010               | Film 6800pF ±2%                         |
| C247  | 1    | 1 | DF74682010               | Film 6800pF ±2%                         |
| C250  | 1    | 1 | EA33601630               | Elect 33μF 16V                          |
| C251  | 1    | 1 | DF15224350               | Film 0.22μF ±5%                         |
| C256  | 1    | 1 | DF74182010               | Film 1800pF ±2%                         |
| C257  | 1    | 1 | DF74682010               | Film 6800pF ±2%                         |
| C259  | 1    | 1 | DF15223350               | Film 0.022μF ±5%                        |
| C261  | 1    | 1 | DF74682010               | Film 6800pF ±2%                         |
| C262  | 1    | 1 | DF14682010               | Film 6800pF ±2%                         |
| C265  | 1    | 1 | EA33601630               | Elect 33μF 16V                          |
| C266  | 1    | 1 | EA33601630               | Elect 33μF 16V                          |
| C267  | 1    | 1 | DF15105350               | Film 1μF ±5%                            |

• (N): for Europe  
• (F): for Japan

| REF. DESIG.  | Q'TY |   | PART NO.   | DESCRIPTION    |
|--|------|---|------------|----------------|
|  | N    | F |            |                |
| <b>P200-RESISTORS</b><br>(All Resistors are $\pm 5\%$ and $\frac{1}{4}W$ ) |      |   |            |                |
| R201   | 1    | 1 | GM21447520 | 47.5K $\Omega$ |
| R202   | 1    | 1 | GM21410040 | 1M $\Omega$    |
| R203   | 1    | 1 | GM21482530 | 825K $\Omega$  |
| R204   | 1    | 1 | GD05105140 | 1M $\Omega$    |
| R205   | 1    | 1 | GD05104140 | 100K $\Omega$  |
| R206   | 1    | 1 | GD05474140 | 470K $\Omega$  |
| R209   | 1    | 1 | GM21447520 | 47.5K $\Omega$ |
| R210   | 1    | 1 | GD05104140 | 100K $\Omega$  |
| R211   | 1    | 1 | GD05223140 | 22K $\Omega$   |
| R214   | 1    | 1 | GD05223140 | 22K $\Omega$   |
| R215   | 1    | 1 | GD05682140 | 6.8K $\Omega$  |
| R216   | 1    | 1 | GD05104140 | 100K $\Omega$  |
| R217   | 1    | 1 | GD05333140 | 33K $\Omega$   |
| R219   | 1    | 1 | GM21422110 | 2.21K $\Omega$ |
| R220   | 1    | 1 | GM21422110 | 2.21K $\Omega$ |
| R221   | 1    | 1 | GD05682140 | 6.8K $\Omega$  |
| R222   | 1    | 1 | GM21412120 | 12.1K $\Omega$ |
| R223   | 1    | 1 | GM21410030 | 100K $\Omega$  |
| R227   | 1    | 1 | GD05105140 | 1M $\Omega$    |
| R229   | 1    | 1 | GD05472140 | 4.7K $\Omega$  |
| R230   | 1    | 1 | GD05563140 | 56K $\Omega$   |
| R231   | 1    | 1 | GD05334140 | 330K $\Omega$  |
| R233   | 1    | 1 | GM21410030 | 100K $\Omega$  |
| R234   | 1    | 1 | GD05472140 | 4.7K $\Omega$  |
| R235   | 1    | 1 | GD05472140 | 4.7K $\Omega$  |
| R238   | 1    | 1 | GD05474140 | 470K $\Omega$  |
| R239   | 1    | 1 | GD05473140 | 47K $\Omega$   |
| R240   | 1    | 1 | GD05033140 | 3.3 $\Omega$   |
| R242   | 1    | 1 | GD05565140 | 5.6M $\Omega$  |
| R243   | 1    | 1 | GD05565140 | 5.6M $\Omega$  |
| R244   | 1    | 1 | GD05472140 | 4.7K $\Omega$  |
| R245   | 1    | 1 | GD05154140 | 150K $\Omega$  |
| R246   | 1    | 1 | GD05101140 | 100 $\Omega$   |
| R250   | 1    | 1 | GD05683140 | 68K $\Omega$   |
| R251   | 1    | 1 | GD05683140 | 68K $\Omega$   |
| R252   | 1    | 1 | GD05681140 | 680 $\Omega$   |
| R253   | 1    | 1 | GD05472140 | 4.7K $\Omega$  |
| R254   | 1    | 1 | GD05104140 | 100K $\Omega$  |
| R255   | 1    | 1 | GD05333140 | 33K $\Omega$   |
| R256   | 1    | 1 | GA05220020 | 22 $\Omega$ 2W |
| R257   | 1    | 1 | GD05223140 | 22K $\Omega$   |
| R258   | 1    | 1 | GD05272140 | 2.7K $\Omega$  |
| R259   | 1    | 1 | GD05682140 | 6.8K $\Omega$  |
| R260   | 1    | 1 | GD05683140 | 68K $\Omega$   |
| R261   | 1    | 1 | GD05683140 | 68K $\Omega$   |
| R262   | 1    | 1 | GD05332140 | 3.3K $\Omega$  |
| R264   | 1    | 1 | GD05332140 | 3.3K $\Omega$  |
| R265   | 1    | 1 | GD05332140 | 3.3K $\Omega$  |
| R267   | 1    | 1 | GD05222140 | 2.2K $\Omega$  |
| R268   | 1    | 1 | GD05222140 | 2.2K $\Omega$  |
| R276   | 1    | 1 | GD05472140 | 4.7K $\Omega$  |
| R279   | 1    | 1 | GM21447520 | 47.5K $\Omega$ |
| R280   | 1    | 1 | GM21447520 | 47.5K $\Omega$ |
| R281   | 1    | 1 | GD05474140 | 470K $\Omega$  |
| R282   | 1    | 1 | GM21447520 | 47.5K $\Omega$ |
| R283   | 1    | 1 | GM21447520 | 47.5K $\Omega$ |
| R284   | 1    | 1 | GD05103140 | 10K $\Omega$   |
| R285   | 1    | 1 | GD05223140 | 22K $\Omega$   |
| R287   | 1    | 1 | GM21468110 | 6.81K $\Omega$ |
| R288   | 1    | 1 | GM21468110 | 6.81K $\Omega$ |

| REF. DESIG. | Q'TY |   | PART NO.   | DESCRIPTION             |
|-------------|------|---|------------|-------------------------|
|             | N    | F |            |                         |
| R291        | 1    | 1 | GD05473140 | 47K $\Omega$            |
| R292        | 1    | 1 | GD05683140 | 68K $\Omega$            |
| R293        | 1    | 1 | GD05471140 | 470 $\Omega$            |
| R294        | 1    | 1 | GD05471140 | 470 $\Omega$            |
| R298        | 1    | 1 | GM21447500 | 475 $\Omega$            |
| R299        | 1    | 1 | GM21426710 | 2.67K $\Omega$          |
| R300        | 1    | 1 | GM21410020 | 10K $\Omega$            |
| R301        | 1    | 1 | GM21410020 | 10K $\Omega$            |
| R301        | 1    | 1 | GD05222140 | 2.2K $\Omega$           |
| R304        | 1    | 1 | GM21410020 | 10K $\Omega$            |
| R305        | 1    | 1 | GM21410020 | 10K $\Omega$            |
| R306        | 1    | 1 | GM21426710 | 2.67K $\Omega$          |
| R307        | 1    | 1 | GD05222140 | 2.2K $\Omega$           |
| R308        | 1    | 1 | GM21447500 | 475 $\Omega$            |
| R311        | 1    | 1 | GM21482520 | 82.5K $\Omega$          |
| R312        | 1    | 1 | GM21482520 | 82.5K $\Omega$          |
| R313        | 1    | 1 | GD05472140 | 4.7K $\Omega$           |
| R315        | 1    | 1 | RA01030070 | 10K $\Omega$ , Trimming |
| R316        | 1    | 1 | GD05473140 | 47K $\Omega$            |
| R318        | 1    | 1 | GD05821140 | 820 $\Omega$            |
| R319        | 1    | 1 | GD05471140 | 470 $\Omega$            |
| R320        | 1    | 1 | GD05152140 | 1.5K $\Omega$           |
| R323        | 1    | 1 | GM21412130 | 121K $\Omega$           |
| R324        | 1    | 1 | GM21475020 | 75K $\Omega$            |
| R325        | 1    | 1 | GM21475020 | 75K $\Omega$            |
| R826        | 1    | 1 | GM21422130 | 221K $\Omega$           |
| R327        | 1    | 1 | GD05104140 | 100K $\Omega$           |
| R328        | 1    | 1 | GM21433230 | 332K $\Omega$           |
| R335        | 1    | 1 | GD05683140 | 68K $\Omega$            |
| R336        | 1    | 1 | GD05472140 | 4.7K $\Omega$           |
| R340        | 1    | 1 | GD05103140 | 10K $\Omega$            |
| R341        | 1    | 1 | GD05103140 | 10K $\Omega$            |
| R342        | 1    | 1 | GD05683140 | 68K $\Omega$            |
| R345        | 1    | 1 | GD05473140 | 47K $\Omega$            |
| R346        | 1    | 1 | GD05473140 | 47K $\Omega$            |
| R349        | 1    | 1 | GD05183140 | 18K $\Omega$            |
| R350        | 1    | 1 | GD05184140 | 180K $\Omega$           |
| R351        | 1    | 1 | GD05333140 | 33K $\Omega$            |
| R352        | 1    | 1 | GD05273140 | 27K $\Omega$            |
| R353        | 1    | 1 | GD05472140 | 4.7K $\Omega$           |
| R356        | 1    | 1 | GM21435620 | 35.6K $\Omega$          |
| R357        | 1    | 1 | GM21439210 | 3.92K $\Omega$          |
| R358        | 1    | 1 | GM21435630 | 356K $\Omega$           |
| R359        | 1    | 1 | GD05272140 | 2.7K $\Omega$           |
| R360        | 1    | 1 | GD05104140 | 100K $\Omega$           |
| R362        | 1    | 1 | GD05104140 | 100K $\Omega$           |
| R363        | 1    | 1 | GD05103140 | 10K $\Omega$            |
| R364        | 1    | 1 | GD05472140 | 4.7K $\Omega$           |
| R365        | 1    | 1 | GD05474140 | 470K $\Omega$           |
| R367        | 1    | 1 | GD05474140 | 470K $\Omega$           |
| R370        | 1    | 1 | GM21426320 | 26.3K $\Omega$          |
| R372        | 1    | 1 | GD05473140 | 47K $\Omega$            |
| R373        | 1    | 1 | GM21418230 | 182K $\Omega$           |
| R375        | 1    | 1 | GD05473140 | 47K $\Omega$            |
| R376        | 1    | 1 | GD05472140 | 4.7K $\Omega$           |
| R378        | 1    | 1 | GD05273140 | 27K $\Omega$            |
| R379        | 1    | 1 | GD05273140 | 27K $\Omega$            |
| R380        | 1    | 1 | GD05332140 | 3.3K $\Omega$           |
| R381        | 1    | 1 | GD05121140 | 120 $\Omega$            |
| R382        | 1    | 1 | GD05121140 | 120 $\Omega$            |

•(N): for Europe  
•(F): for Japan

| REF. DESIG.                | Q'TY |   | PART NO.   | DESCRIPTION              |
|----------------------------|------|---|------------|--------------------------|
|                            | N    | F |            |                          |
| R384                       | 1    | 1 | HH00001490 | Thermistor               |
| R385                       | 1    | 1 | HH00001490 | Thermistor               |
| R386                       | 1    | 1 | GD05332140 | 3.3K $\Omega$            |
| R387                       | 1    | 1 | GD05022140 | 2.2 $\Omega$             |
| R391                       | 1    | 1 | GM21456210 | 5.62K $\Omega$           |
| R392                       | 1    | 1 | GM21413020 | 13K $\Omega$             |
| R393                       | 1    | 1 | GD05223140 | 22K $\Omega$             |
| R394                       | 1    | 1 | GM21433230 | 332K $\Omega$            |
| R395                       | 1    | 1 | GD05223140 | 22K $\Omega$             |
| R396                       | 1    | 1 | GD05563140 | 56K $\Omega$             |
| R397                       | 1    | 1 | GD05563140 | 56K $\Omega$             |
| R398                       | 1    | 1 | GD05182140 | 1.8K $\Omega$            |
| R399                       | 1    | 1 | GD05152140 | 1.5K $\Omega$            |
| <b>P200-SEMICONDUCTORS</b> |      |   |            |                          |
| D244                       | 1    | 1 | HD20001000 | Diode 1S2473             |
| D245                       | 1    | 1 | HD20001000 | Diode 1S2473             |
| D246                       | 1    | 1 | HD20001000 | Diode 1S2473             |
| D249                       | 1    | 1 | HD20001000 | Diode 1S2473             |
| D250                       | 1    | 1 | HD20001000 | Diode 1S2473             |
| D251                       | 1    | 1 | HD30041010 | Zener HZC2               |
| D252                       | 1    | 1 | HD30004020 | Zener MA1051             |
| D255                       | 1    | 1 | HD20001000 | Diode 1S2473             |
| D256                       | 1    | 1 | HD20001000 | Diode 1S2473             |
| D257                       | 1    | 1 | HD20001000 | Diode 1S2473             |
| D258                       | 1    | 1 | HD20001000 | Diode 1S2473             |
| D259                       | 1    | 1 | HD20001000 | Diode 1S2473             |
| D261                       | 1    | 1 | HD20001000 | Diode 1S2473             |
| Q201                       | 1    | 1 | HC10027270 | IC MAB8420               |
| Q205                       | 1    | 1 | HC10081060 | IC $\mu$ PC339C          |
| Q207                       | 1    | 1 | HC10055010 | IC HD14025B              |
| Q208                       | 1    | 1 | HC10080060 | IC $\mu$ PC1458C         |
| Q209                       | 1    | 1 | HC10080060 | IC $\mu$ PC1458C         |
| Q211                       | 1    | 1 | HC10056010 | IC HD14053B              |
| Q212                       | 1    | 1 | HC10082060 | IC $\mu$ PC324C          |
| Q213                       | 1    | 1 | HC10057010 | IC HD14070B              |
| Q214                       | 1    | 1 | HC10082060 | IC $\mu$ PC324C          |
| Q215                       | 1    | 1 | HC10082060 | IC $\mu$ PC324C          |
| Q216                       | 1    | 1 | HC10020270 | IC TCA240                |
| Q217                       | 1    | 1 | HC10080060 | IC $\mu$ PC1458C         |
| Q218                       | 1    | 1 | HC10083060 | IC $\mu$ PC741C          |
| Q230                       | 1    | 1 | HT309452B0 | Transistor 2SC945(Q)     |
| Q231                       | 1    | 1 | HT328241Y0 | Transistor 2SC2824(Y)    |
| Q232                       | 1    | 1 | HT111841Y0 | Transistor 2SA1184(Y)    |
| Q233                       | 1    | 1 | HT313841R0 | Transistor 2SC1384(R)    |
| Q234                       | 1    | 1 | HT106841R0 | Transistor 2SA684(R)     |
| Q238                       | 1    | 1 | HT309452B0 | Transistor 2SC945(Q)     |
| Q239                       | 1    | 1 | HT309452B0 | Transistor 2SC945(Q)     |
| Q240                       | 1    | 1 | HT111841Y0 | Transistor 2SA1184(Y)    |
| Q241                       | 1    | 1 | HT328241Y0 | Transistor 2SC2824(Y)    |
| Q242                       | 1    | 1 | HT107332A0 | Transistor 2SA733(Q)     |
| <b>P200-MISCELLANEOUS</b>  |      |   |            |                          |
| WA02                       | 1    | 1 | YB00180160 | Connective Cord          |
| WA03                       | 1    | 1 | YB00170060 | Connective Cord          |
| WA04                       | 1    | 1 | YB00170070 | Connective Cord          |
| WA05                       | 1    | 1 | YB00170080 | Connective Cord          |
| X201                       | 1    | 1 | XB108002L3 | Crystal, 6MHz            |
| 250E                       | 2    | 2 | 415H267010 | Heatsink                 |
| 251E                       | 2    | 2 | 51280306B0 | B.H. Tapped Screw B3 x 6 |

| REF. DESIG.            | Q'TY |   | PART NO.   | DESCRIPTION                       |
|------------------------|------|---|------------|-----------------------------------|
|                        | N    | F |            |                                   |
| P500                   | 1    | 1 | YK101K1210 | <b>P500-DECODER CIRCUIT BOARD</b> |
|                        |      |   | ZZ101K8210 | P.W. Board, Decoder               |
|                        |      |   |            | P.W. Board Assembly               |
| <b>P500-CAPACITORS</b> |      |   |            |                                   |
| C501                   | 1    | 1 | DF74223010 | Film 0.022 $\mu$ F $\pm$ 2%       |
| C502                   | 1    | 1 | DF74223010 | Film 0.022 $\mu$ F $\pm$ 2%       |
| C503                   | 1    | 1 | DK16222300 | Ceramic 2200pF $\pm$ 10%          |
| C505                   | 1    | 1 | DF55272090 | Film 2700pF $\pm$ 5%              |
| C506                   | 1    | 1 | DK16472300 | Ceramic 4700pF $\pm$ 10%          |
| C508                   | 1    | 1 | DK16821300 | Ceramic 820pF $\pm$ 10%           |
| C511                   | 1    | 1 | DK18223310 | Ceramic 0.022 $\mu$ F             |
| C512                   | 1    | 1 | DK18223310 | Ceramic 0.022 $\mu$ F             |
| C514                   | 1    | 1 | DF15104350 | Film 0.1 $\mu$ F $\pm$ 5%         |
| C515                   | 1    | 1 | DF15104350 | Film 0.1 $\mu$ F $\pm$ 5%         |
| C516                   | 1    | 1 | DK18103310 | Ceramic 0.01 $\mu$ F              |
| C520                   | 1    | 1 | DK16471300 | Ceramic 470pF $\pm$ 10%           |
| C521                   | 1    | 1 | DK16471300 | Ceramic 470pF $\pm$ 10%           |
| C523                   | 1    | 1 | DK18103310 | Ceramic 0.01 $\mu$ F              |
| C525                   | 1    | 1 | DK16222300 | Ceramic 2200pF $\pm$ 10%          |
| C527                   | 1    | 1 | DF15104350 | Film 0.1 $\mu$ F $\pm$ 5%         |
| C531                   | 1    | 1 | DK18104020 | Ceramic 0.1 $\mu$ F               |
| C533                   | 1    | 1 | EA10505030 | Elect 1 $\mu$ F 50V               |
| C534                   | 1    | 1 | DK15270370 | Ceramic 27pF $\pm$ 5%             |
| C535                   | 1    | 1 | DD15270370 | Ceramic 27pF $\pm$ 5%             |
| C537                   | 1    | 1 | DK18223310 | Ceramic 0.022 $\mu$ F             |
| C538                   | 1    | 1 | DK18223310 | Ceramic 0.022 $\mu$ F             |
| C539                   | 1    | 1 | DK18223310 | Ceramic 0.022 $\mu$ F             |
| C542                   | 1    | 1 | DD15680370 | Ceramic 68pF $\pm$ 5%             |
| C543                   | 1    | 1 | DD15330370 | Ceramic 33pF $\pm$ 5%             |
| C550                   | 1    | 1 | DK18223310 | Ceramic 0.022 $\mu$ F             |
| C551                   | 1    | 1 | DK18223310 | Ceramic 0.022 $\mu$ F             |
| C555                   | 1    | 1 | DK18223310 | Ceramic 0.022 $\mu$ F             |
| C556                   | 1    | 1 | DK18223310 | Ceramic 0.022 $\mu$ F             |
| C557                   | 1    | 1 | EA22602530 | Elect 22 $\mu$ F 25V              |
| C558                   | 1    | 1 | EA22602530 | Elect 22 $\mu$ F 25V              |
| C559                   | 1    | 1 | DK18223310 | Ceramic 0.022 $\mu$ F             |
| C560                   | 1    | 1 | DK18223310 | Ceramic 0.022 $\mu$ F             |
| C562                   | 1    | 1 | DK18223310 | Ceramic 0.022 $\mu$ F             |
| C563                   | 1    | 1 | EA22700630 | Elect 220 $\mu$ F 6.3V            |
| C564                   | 1    | 1 | DK16821300 | Ceramic 820pF $\pm$ 10%           |
| C566                   | 1    | 1 | DF74512010 | Film 5100pF $\pm$ 2%              |
| C567                   | 1    | 1 | DF74153010 | Film 0.015 $\mu$ F $\pm$ 2%       |
| C568                   | 1    | 1 | DF74222010 | Film 2200pF $\pm$ 2%              |
| C570                   | 1    | 1 | DF74222010 | Film 2200pF $\pm$ 2%              |
| C571                   | 1    | 1 | DF74122010 | Film 1200pF $\pm$ 2%              |
| C573                   | 1    | 1 | OA47601610 | Elect 47 $\mu$ F 16V              |
| C575                   | 1    | 1 | DD15101370 | Ceramic 100pF $\pm$ 5%            |
| C580                   | 1    | 1 | DF15474350 | Film 0.47 $\mu$ F $\pm$ 5%        |
| C581                   | 1    | 1 | DF15474350 | Film 0.47 $\mu$ F $\pm$ 5%        |
| C582                   | 1    | 1 | DF15104350 | Film 0.1 $\mu$ F $\pm$ 5%         |
| C583                   | 1    | 1 | DF15104350 | Film 0.1 $\mu$ F $\pm$ 5%         |
| C584                   | 1    | 1 | DF15104350 | Film 0.1 $\mu$ F $\pm$ 5%         |
| C585                   | 1    | 1 | DK18223310 | Ceramic 0.022 $\mu$ F             |
| C586                   | 1    | 1 | DK18223310 | Ceramic 0.022 $\mu$ F             |

•(N): for Europe  
•(F): for Japan

| REF. DESIG.   | Q'TY |   | PART NO.   | DESCRIPTION                 |
|---|------|---|------------|-----------------------------|
|   | N    | F |            |                             |
| C587  | 1    | 1 | DK18223310 | Ceramic 0.022 $\mu$ F       |
| C588  | 1    | 1 | DK18223310 | Ceramic 0.022 $\mu$ F       |
| C589  | 1    | 1 | DK18223310 | Ceramic 0.022 $\mu$ F       |
| C590  | 1    | 1 | DF16104510 | Film 0.1 $\mu$ F $\pm$ 10%  |
| C591  | 1    | 1 | DK16152300 | Ceramic 1500pF $\pm$ 10%    |
| C593  | 1    | 1 | EA22602530 | Elect 22 $\mu$ F 25V        |
| C594  | 1    | 1 | DK18223310 | Ceramic 0.022 $\mu$ F       |
| C595  | 1    | 1 | DK18223310 | Ceramic 0.022 $\mu$ F       |
| C597  | 1    | 1 | DK18223310 | Ceramic 0.022 $\mu$ F       |
| C599  | 1    | 1 | DK16321300 | Ceramic 820pF $\pm$ 10%     |
| C601  | 1    | 1 | DF74512010 | Film 5100pF $\pm$ 2%        |
| C602  | 1    | 1 | DF74153010 | Film 0.015 $\mu$ F $\pm$ 2% |
| C603  | 1    | 1 | DF74222010 | Film 2200pF $\pm$ 2%        |
| C605  | 1    | 1 | DF74222010 | Film 2200pF $\pm$ 2%        |
| C606  | 1    | 1 | DF74122010 | Film 1200pF $\pm$ 2%        |
| C608  | 1    | 1 | OA47601610 | Elect 47 $\mu$ F 16V        |
| C609  | 1    | 1 | DF16104510 | Film 0.1 $\mu$ F $\pm$ 10%  |
| C610  | 1    | 1 | DD15101370 | Ceramic 100pF $\pm$ 5%      |
| C615  | 1    | 1 | EA22602530 | Elect 22 $\mu$ F 25V        |
| C617  | 1    | 1 | DF16104510 | Film 0.1 $\mu$ F $\pm$ 10%  |
| C618  | 1    | 1 | DF16104510 | Film 0.1 $\mu$ F $\pm$ 10%  |
| C619  | 1    | 1 | DF16104510 | Film 0.1 $\mu$ F $\pm$ 10%  |
| C621  | 1    | 1 | EA22602530 | Elect 22 $\mu$ F 25V        |
| C623  | 1    | 1 | DK18223310 | Ceramic 0.022 $\mu$ F       |
| C624  | 1    | 1 | EA22602530 | Elect 22 $\mu$ F 25V        |
| C626  | 1    | 1 | EA22602530 | Elect 22 $\mu$ F 25V        |
| C628  | 1    | 1 | EA22602530 | Elect 22 $\mu$ F 25V        |
| C630  | 1    | 1 | DF15474350 | Film 0.47 $\mu$ F $\pm$ 5%  |
| C631  | 1    | 1 | DF15474350 | Film 0.47 $\mu$ F $\pm$ 5%  |
| C632  | 1    | 1 | DF15104350 | Film 0.1 $\mu$ F $\pm$ 5%   |
| C633  | 1    | 1 | DF15104350 | Film 0.1 $\mu$ F $\pm$ 5%   |
| C634  | 1    | 1 | DF15104350 | Film 0.1 $\mu$ F $\pm$ 5%   |
| C635  | 1    | 1 | DK18223310 | Ceramic 0.022 $\mu$ F       |
| C636  | 1    | 1 | DK18223310 | Ceramic 0.022 $\mu$ F       |
| C637  | 1    | 1 | DK18223310 | Ceramic 0.022 $\mu$ F       |
| C638  | 1    | 1 | DK18223310 | Ceramic 0.022 $\mu$ F       |
| C639  | 1    | 1 | DK18223310 | Ceramic 0.022 $\mu$ F       |
| C641  | 1    | 1 | DK16152300 | Ceramic 1500pF $\pm$ 10%    |
| <b>P500-RESISTORS</b><br>(All Resistors are $\pm$ 5% and $\frac{1}{4}$ W) |      |   |            |                             |
| R501  | 1    | 1 | GD05825140 | 8.2M $\Omega$               |
| R502  | 1    | 1 | GD05824140 | 820K $\Omega$               |
| R503  | 1    | 1 | GM21417820 | 17.8K $\Omega$              |
| R504  | 1    | 1 | GD05824140 | 820K $\Omega$               |
| R505  | 1    | 1 | GM21417830 | 178K $\Omega$               |
| R506  | 1    | 1 | GD05681140 | 680 $\Omega$                |
| R507  | 1    | 1 | GM21417820 | 17.8K $\Omega$              |
| R508  | 1    | 1 | GD05825140 | 8.2M $\Omega$               |
| R510  | 1    | 1 | GM21439210 | 3.92K $\Omega$              |
| R511  | 1    | 1 | GM21410020 | 10K $\Omega$                |
| R512  | 1    | 1 | GM21410030 | 100K $\Omega$               |
| R513  | 1    | 1 | GM21410030 | 100K $\Omega$               |
| R514  | 1    | 1 | GD05105140 | 1M $\Omega$                 |
| R515  | 1    | 1 | GD05010140 | 1 $\Omega$                  |
| R516  | 1    | 1 | GD05105140 | 1M $\Omega$                 |
| R519  | 1    | 1 | GD05222140 | 2.2K $\Omega$               |
| R520  | 1    | 1 | GD05223140 | 22K $\Omega$                |
| R521  | 1    | 1 | GD05103140 | 10K $\Omega$                |
| R523  | 1    | 1 | GD05222140 | 2.2K $\Omega$               |
| R525  | 1    | 1 | GD05222140 | 2.2K $\Omega$               |

| REF. DESIG. | Q'TY |   | PART NO.   | DESCRIPTION             |
|-------------|------|---|------------|-------------------------|
|             | N    | F |            |                         |
| R527        | 1    | 1 | GD05391140 | 390 $\Omega$            |
| R529        | 1    | 1 | GD05223140 | 22K $\Omega$            |
| R530        | 1    | 1 | GD05103140 | 10K $\Omega$            |
| R532        | 1    | 1 | GD05332140 | 3.3K $\Omega$           |
| R534        | 1    | 1 | GD05103140 | 10K $\Omega$            |
| R535        | 1    | 1 | GD05104140 | 100K $\Omega$           |
| R536        | 1    | 1 | GD05104140 | 100K $\Omega$           |
| R537        | 1    | 1 | GD05274140 | 270K $\Omega$           |
| R538        | 1    | 1 | GD05393140 | 39K $\Omega$            |
| R539        | 1    | 1 | GD05010140 | 1 $\Omega$              |
| R540        | 1    | 1 | GD05472140 | 4.7K $\Omega$           |
| R541        | 1    | 1 | GD05472140 | 4.7K $\Omega$           |
| R542        | 1    | 1 | GD05473140 | 47K $\Omega$            |
| R543        | 1    | 1 | GD05104140 | 100K $\Omega$           |
| R544        | 1    | 1 | GD05472140 | 4.7K $\Omega$           |
| R545        | 1    | 1 | GD05105140 | 1M $\Omega$             |
| R547        | 1    | 1 | GD05472140 | 4.7K $\Omega$           |
| R548        | 1    | 1 | GD05332140 | 3.3K $\Omega$           |
| R549        | 1    | 1 | GD05472140 | 4.7K $\Omega$           |
| R550        | 1    | 1 | GD05822140 | 8.2K $\Omega$           |
| R555        | 1    | 1 | GD05102140 | 1K $\Omega$             |
| R558        | 1    | 1 | GD05105140 | 1M $\Omega$             |
| R560        | 1    | 1 | GD05102140 | 1K $\Omega$             |
| R563        | 1    | 1 | GD05562140 | 5.6K $\Omega$           |
| R564        | 1    | 1 | GD05102140 | 1K $\Omega$             |
| R565        | 1    | 1 | GD05102140 | 1K $\Omega$             |
| R566        | 1    | 1 | GD05102140 | 1K $\Omega$             |
| R567        | 1    | 1 | GD05102140 | 1K $\Omega$             |
| R569        | 1    | 1 | GM21410000 | 100 $\Omega$            |
| R570        | 1    | 1 | GM21426710 | 2.67K $\Omega$          |
| R571        | 1    | 1 | GM21410000 | 100 $\Omega$            |
| R572        | 1    | 1 | GM21410010 | 1K $\Omega$             |
| R573        | 1    | 1 | GD05105140 | 1M $\Omega$             |
| R574        | 1    | 1 | GM21428210 | 1.82K $\Omega$          |
| R576        | 1    | 1 | GM21422110 | 2.21K $\Omega$          |
| R577        | 1    | 1 | GM21422110 | 2.21K $\Omega$          |
| R579        | 1    | 1 | GM21410020 | 10K $\Omega$            |
| R580        | 1    | 1 | GM21410030 | 100K $\Omega$           |
| R581        | 1    | 1 | GD05470140 | 47 $\Omega$             |
| R584        | 1    | 1 | GM214825G0 | 82.5 $\Omega$           |
| R585        | 1    | 1 | GM21456200 | 562 $\Omega$            |
| R586        | 1    | 1 | RA05010050 | 500 $\Omega$ , Trimming |
| R587        | 1    | 1 | GM21426700 | 267 $\Omega$            |
| R590        | 1    | 1 | GM21410000 | 100 $\Omega$            |
| R591        | 1    | 1 | GM21426710 | 2.67K $\Omega$          |
| R592        | 1    | 1 | GM21410000 | 100 $\Omega$            |
| R593        | 1    | 1 | GM21410010 | 1K $\Omega$             |
| R594        | 1    | 1 | GD05105140 | 1M $\Omega$             |
| R595        | 1    | 1 | GM21418210 | 1.82K $\Omega$          |
| R597        | 1    | 1 | GM21422110 | 2.21K $\Omega$          |
| R598        | 1    | 1 | GM21422110 | 2.21K $\Omega$          |
| R600        | 1    | 1 | GM21410020 | 10K $\Omega$            |
| R601        | 1    | 1 | GM21410030 | 100K $\Omega$           |
| R602        | 1    | 1 | GD05470140 | 47 $\Omega$             |
| R605        | 1    | 1 | GM214825G0 | 82.5 $\Omega$           |
| R606        | 1    | 1 | GM21461900 | 619 $\Omega$            |
| R607        | 1    | 1 | GD05151140 | 150 $\Omega$            |
| R608        | 1    | 1 | GD05471140 | 470 $\Omega$            |

•(N): for Europe  
•(F): for Japan

| REF. DESIG.                | QTY |   | PART NO.   | DESCRIPTION               |
|----------------------------|-----|---|------------|---------------------------|
|                            | N   | F |            |                           |
| <b>P500-SEMICONDUCTOR:</b> |     |   |            |                           |
| D539                       | 1   | 1 | HD40004030 | Varicap SVC303 .GR        |
| D540                       | 1   | 1 | HD40004030 | Varicap SVC303Y-GR        |
| D541                       | 1   | 1 | HD30004020 | Zener MA1051              |
| D544                       | 1   | 1 | HD20001210 | Diode 1S2473C             |
| D545                       | 1   | 1 | HD20001210 | Diode 1S2473C             |
| D546                       | 1   | 1 | HD20001210 | Diode 1S2473C             |
| D548                       | 1   | 1 | HD20001210 | Diode 1S2473C             |
| D549                       | 1   | 1 | HD20001210 | Diode 1S2473C             |
| D550                       | 1   | 1 | HD20001210 | Diode 1S2473C             |
| D551                       | 1   | 1 | HD20001210 | Diode 1S2473C             |
| D555                       | 1   | 1 | HD20001210 | Diode 1S2473C             |
| D556                       | 1   | 1 | HD20001210 | Diode 1S2473C             |
| D557                       | 1   | 1 | HD20001210 | Diode 1S2473C             |
| D558                       | 1   | 1 | HD20001210 | Diode 1S2473C             |
| D559                       | 1   | 1 | HD20001210 | Diode 1S2473C             |
| <br>                       |     |   |            |                           |
| Q501                       | 1   | 1 | HC10022270 | IC SAA7010(M4290A)        |
| Q504                       | 1   | 1 | HC10058010 | IC HD74LS74               |
| Q506                       | 1   | 1 | HC10026270 | IC MAB8410                |
| Q508                       | 1   | 1 | HC10084060 | IC $\mu$ PC393C           |
| Q510                       | 1   | 1 | HC10023270 | IC SAA7020(M4280)         |
| Q512                       | 1   | 1 | HC10059010 | IC HM6116P-4              |
| Q514                       | 1   | 1 | HC10021270 | IC SAA7000(M4300)         |
| Q517                       | 1   | 1 | HC10024270 | IC SAA7030(M4550)         |
| Q519                       | 1   | 1 | HC10025270 | IC TDA1540D               |
| Q520                       | 1   | 1 | HC10025270 | IC TDA1540D               |
| <br>                       |     |   |            |                           |
| Q523                       | 1   | 1 | HC10023090 | IC NJM5532                |
| Q525                       | 1   | 1 | HC10023090 | IC NJM5532                |
| Q530                       | 1   | 1 | HT309452B0 | Transistor 2SC945(Q or P) |
| Q531                       | 1   | 1 | HT309452B0 | Transistor 2SC945(Q or P) |
| Q533                       | 1   | 1 | HT309452B0 | Transistor 2SC945(Q or P) |
| Q535                       | 1   | 1 | HT107332A0 | Transistor 2SA733(Q or P) |
| Q536                       | 1   | 1 | HT107332A0 | Transistor 2SA733(Q or P) |
| <br>                       |     |   |            |                           |
| <b>P500-MISCELLANEOUS</b>  |     |   |            |                           |
| J510                       | 1   | 1 | YP10001990 | Plug, (3P)                |
| J520                       | 1   | 1 | YP10002010 | Plug, (5P)                |
| J540                       | 1   | 1 | YP10001990 | Plug, (3P)                |
| J550                       | 1   | 1 | YP10001990 | Plug, (3P)                |
| <br>                       |     |   |            |                           |
| L501                       | 1   | 1 | LO71020020 | OSC Coil                  |
| L507                       | 1   | 1 | LY10050040 | Relay                     |
| L508                       | 1   | 1 | LY10050040 | Relay                     |
| L510                       | 1   | 1 | LY10050040 | Relay                     |
| L511                       | 1   | 1 | LY10050040 | Relay                     |
| <br>                       |     |   |            |                           |
| X501                       | 1   | 1 | XB108001L3 | Crystal, 4.4336MHz        |
| X504                       | 1   | 1 | XB108002L2 | Crystal, 4.2336MHz        |

| REF. DESIG.   | QTY |   | PART NO.   | DESCRIPTION                        |
|---|-----|---|------------|------------------------------------|
|   | N   | F |            |                                    |
| <b>P800-MOTOR/REMOCON CIRCUIT BOARD</b>                                     |     |   |            |                                    |
| P800  | 1   | 1 | YK101K1710 | P.W. Board, Motor/Remocon          |
|   |     |   | ZZ101K8710 | P.W. Board Assembly                |
| <br>  |     |   |            |                                    |
| <b>P800-CAPACITORS</b>  |     |   |            |                                    |
| C801  | 1   | 1 | EA22601630 | Elect 22 $\mu$ F 16V               |
| C802  | 1   | 1 | EA10505030 | Elect 1 $\mu$ F 50V                |
| C803  | 1   | 1 | DK18103300 | Ceramic 0.01 $\mu$ F               |
| C804  | 1   | 1 | EA10701030 | Elect 100 $\mu$ F 10V              |
| C805  | 1   | 1 | EA47601030 | Elect 47 $\mu$ F 10V               |
| C806  | 1   | 1 | DK18103300 | Ceramic 0.01 $\mu$ F               |
| C807  | 1   | 1 | EA10701030 | Elect 100 $\mu$ F 10V              |
| C808  | 1   | 1 | EQ10505030 | Elect 1 $\mu$ F 50V                |
| <br>  |     |   |            |                                    |
| C851  | 1   | 1 | EA22602530 | Elect 22 $\mu$ F 25V               |
| C852  | 1   | 1 | EA10701030 | Elect 100 $\mu$ F 10V              |
| C853  | 1   | 1 | DK18103300 | Ceramic 0.01 $\mu$ F               |
| C854  | 1   | 1 | DK16221300 | Ceramic 220pF $\pm$ 10%            |
| C855  | 1   | 1 | DK16221300 | Ceramic 220pF $\pm$ 10%            |
| C856  | 1   | 1 | EA10505030 | Elect 1 $\mu$ F 50V                |
| C857  | 1   | 1 | DK18103300 | Ceramic 0.01 $\mu$ F               |
| C858  | 1   | 1 | EA22601630 | Elect 22 $\mu$ F 16V               |
| C589  | 1   | 1 | OA47601610 | Elect 47 $\mu$ F 16V               |
| <br>  |     |   |            |                                    |
| $\pm$ G801  | 1   |   | DK18103840 | Ceramic 0.01 $\mu$ F, Spark Killer |
| $\pm$ G801  | 1   | 1 | DK18103850 | Ceramic 0.01 $\mu$ F, Spark Killer |
| <br>  |     |   |            |                                    |
| <b>P800-RESISTORS</b>   |     |   |            |                                    |
| <b>(All Resistors are <math>\pm</math>5% and <math>\frac{1}{2}</math>W)</b> |     |   |            |                                    |
| R801  | 1   | 1 | GD05392140 | 3.9K $\Omega$                      |
| R802  | 1   | 1 | GD05103140 | 10K $\Omega$                       |
| R803  | 1   | 1 | GD05103140 | 10K $\Omega$                       |
| R804  | 1   | 1 | GA05181010 | 180 $\Omega$ 1W                    |
| R805  | 1   | 1 | GD05562140 | 5.6K $\Omega$                      |
| R806  | 1   | 1 | GD05472140 | 4.7K $\Omega$                      |
| R807  | 1   | 1 | GD05223140 | 22K $\Omega$                       |
| R808  | 1   | 1 | GD05223140 | 22K $\Omega$                       |
| R809  | 1   | 1 | GD05103140 | 10K $\Omega$                       |
| R810  | 1   | 1 | GD05682140 | 6.8K $\Omega$                      |
| <br>  |     |   |            |                                    |
| R811  | 1   | 1 | GD05682140 | 6.8K $\Omega$                      |
| R812  | 1   | 1 | GD05103140 | 10K $\Omega$                       |
| R813  | 1   | 1 | GD05103140 | 10K $\Omega$                       |
| R814  | 1   | 1 | GD05332140 | 3.3K $\Omega$                      |
| R815  | 1   | 1 | GD05333140 | 33K $\Omega$                       |
| R816  | 1   | 1 | GD05472140 | 4.7K $\Omega$                      |
| R817  | 1   | 1 | GD05392140 | 3.9K $\Omega$                      |
| R818  | 1   | 1 | GD05332140 | 3.3K $\Omega$                      |
| R819  | 1   | 1 | GD05103140 | 10K $\Omega$                       |
| R820  | 1   | 1 | GG05082120 | 8.2 $\Omega$ $\frac{1}{2}$ W       |
| <br>  |     |   |            |                                    |
| R821  | 1   | 1 | GD05103140 | 10K $\Omega$                       |
| R822  | 1   | 1 | GD05222140 | 2.2K $\Omega$                      |
| R823  | 1   | 1 | GD05821140 | 820 $\Omega$                       |
| R824  | 1   | 1 | GD05472140 | 4.7K $\Omega$                      |
| R825  | 1   | 1 | GA05330020 | 33 $\Omega$ 2W                     |
| R826  | 1   | 1 | GG05122120 | 1.2K $\Omega$ $\frac{1}{2}$ W      |
| R827  | 1   | 1 | GG05122120 | 1.2K $\Omega$ $\frac{1}{2}$ W      |

• (N): for Europe  
• (F): for Japan

| REF. DESIG.                | Q'TY |   | PART NO.   | DESCRIPTION      |            |
|----------------------------|------|---|------------|------------------|------------|
|                            | N    | F |            |                  |            |
| ΔR851                      | 1    | 1 | GA05820010 | 82Ω              | 1W         |
| R852                       | 1    | 1 | GD05473140 | 47KΩ             |            |
| R853                       | 1    | 1 | GD05105140 | 1MΩ              |            |
| R854                       | 1    | 1 | GD05103140 | 10KΩ             |            |
| R855                       | 1    | 1 | GD05103140 | 10KΩ             |            |
| R856                       | 1    | 1 | GD05103140 | 10KΩ             |            |
| R857                       | 1    | 1 | GD05103140 | 10KΩ             |            |
| R862                       | 1    | 1 | GD05473140 | 47KΩ             |            |
| R863                       | 1    | 1 | GD05103140 | 10KΩ             |            |
| R864                       | 1    | 1 | GD05104140 | 100KΩ            |            |
| R865                       | 1    | 1 | GD05473140 | 47KΩ             |            |
| R866                       | 1    | 1 | GD05103140 | 10KΩ             |            |
| R867                       | 1    | 1 | GD05103140 | 10KΩ             |            |
| R868                       | 1    | 1 | GD05153140 | 15KΩ             |            |
| <b>P800-SEMICONDUCTORS</b> |      |   |            |                  |            |
| D801                       | 1    | 1 | HD20011050 | Diode            | 1S1555     |
| D802                       | 1    | 1 | HD30052090 | Zener            | WZ056      |
| D803                       | 1    | 1 | HD30091090 | Zener            | BZ081      |
| D804                       | 1    | 1 | HD20011050 | Diode            | 1S1555     |
| D805                       | 1    | 1 | HD20011050 | Diode            | 1S1555     |
| D806                       | 1    | 1 | HD20011050 | Diode            | 1S1555     |
| D807                       | 1    | 1 | HD20011050 | Diode            | 1S1555     |
| D808                       | 1    | 1 | HD20011050 | Diode            | 1S1555     |
| D809                       | 1    | 1 | HI10016050 | L.E.D.           | TLUG-143   |
| D810                       | 1    | 1 | HI10016050 | L.E.D.           | TLUG-143   |
| D811                       | 1    | 1 | HI10016050 | L.E.D.           | TLUG-143   |
| D851                       | 1    | 1 | HD20011050 | Diode            | 1S1555     |
| Q801                       | 1    | 1 | HT805471B0 | Transistor       | BC547B     |
| Q802                       | 1    | 1 | HT805471B0 | Transistor       | BC547B     |
| Q803                       | 1    | 1 | HT805471B0 | Transistor       | BC547B     |
| Q804                       | 1    | 1 | HT805471B0 | Transistor       | BC547B     |
| Q805                       | 1    | 1 | HT805471B0 | Transistor       | BC547B     |
| Q806                       | 1    | 1 | HT605571B0 | Transistor       | BC557B     |
| Q807                       | 1    | 1 | HT313841R0 | Transistor       | 2SC1384(R) |
| Q808                       | 1    | 1 | HT313841R0 | Transistor       | 2SC1384(R) |
| Q809                       | 1    | 1 | HT805471B0 | Transistor       | BC547B     |
| Q851                       | 1    | 1 | HC10102030 | IC               | LM6416E    |
| Q852                       | 1    | 1 | HT805471B0 | Transistor       | BC547(B)   |
| Q853                       | 1    | 1 | HT805471B0 | Transistor       | BC547(B)   |
| Q854                       | 1    | 1 | HT805471B0 | Transistor       | BC547(B)   |
| Q855                       | 1    | 1 | HT805471B0 | Transistor       | BC547(B)   |
| Q856                       | 1    | 1 | HT805471B0 | Transistor       | BC547(B)   |
| Q857                       | 1    | 1 | HT804571B0 | Transistor       | BC547(B)   |
| Q858                       | 1    | 1 | HT605571B0 | Transistor       | BC557(B)   |
| Q859                       | 1    | 1 | HC10031060 | IC               | MPC78L05   |
| <b>P800-MISCELLANEOUS</b>  |      |   |            |                  |            |
| J801                       | 1    | 1 | YP10001200 | Plug             |            |
| J802                       | 1    | 1 | YP10001200 | Plug             |            |
| J851                       | 1    | 1 | YP06003000 | Plug             |            |
| J852                       | 1    | 1 | YP06003000 | Plug             |            |
| J853                       | 1    | 1 | YP06003020 | Plug             |            |
| J854                       | 1    | 1 | YP06003030 | Plug             |            |
| J855                       | 1    | 1 | YP06003010 | Plug             |            |
| L801                       | 1    | 1 | LC14730040 | Choke Coil, 47μH |            |
| L802                       | 1    | 1 | LC14730040 | Choke Coil, 47μH |            |

| REF. DESIG.                                | Q'TY |   | PART NO.   | DESCRIPTION                  |              |
|--|------|---|------------|------------------------------|--------------|
|  | N    | F |            |                              |              |
| ΔS801                                      | 1    |   | SP01010600 | Push Switch, Power           |              |
| ΔS801                                      | 1    | 1 | SP01010620 | Push Switch, Power           |              |
| S802                                       | 1    | 1 | SP04010430 | Push Switch, ON/OFF          |              |
| S803                                       | 1    | 1 | SS01020370 | Slide Switch, Service        |              |
| S804                                       | 1    | 1 | SM01010980 | Mini Switch, Safety          |              |
| W851                                       | 1    | 1 | YB00150360 | Connective Cord, (2P)        |              |
| W852                                       | 1    | 1 | YB00500310 | Connective Cord, (2P)        |              |
| W853                                       | 1    | 1 | YB00700180 | Connective Cord, (4P)        |              |
| W854                                       | 1    | 1 | YB00650030 | Connective Cord, (5P)        |              |
| W855                                       | 1    | 1 | YB00580010 | Connective Cord, (3P)        |              |
| X851                                       | 1    | 1 | FQ04003010 | Ceramic Vib. 400KHz          |              |
| <b>PH00-MAIN FILTER CIRCUIT BOARD</b>      |      |   |            |                              |              |
| PH00                                       | 1    | 1 | YK101K1770 | P.W. Board, Main Filter      |              |
|  | 1    |   | ZZ101K8770 | P.W. Board Assembly          |              |
| <b>PH00-CAPACITORS</b>                     |      |   |            |                              |              |
| ΔCH01                                      | 1    |   | DF17154810 | Film                         | 0.15μF ±20%  |
| ΔCH01                                      | 1    | 1 | DF17104810 | Film                         | 0.1μF ±20%   |
| ΔCH02                                      | 1    |   | DF17154810 | Film                         | 0.15μF ±20%  |
| ΔCH03                                      | 1    |   | DK16471800 | Ceramic                      | 470pF ±10%   |
| ΔCH03                                      | 1    | 1 | DK16221800 | Ceramic                      | 220pF ±10%   |
| ΔCH04                                      | 1    |   | DK16471800 | Ceramic                      | 470pF ±10%   |
| ΔCH04                                      | 1    | 1 | DK16221800 | Ceramic                      | 220pF ±10%   |
| <b>PH00-MISCELLANEOUS</b>                  |      |   |            |                              |              |
| JH01                                       | 4    | 4 | YP10001130 | Plug                         |              |
| JH04                                       |      |   |            |                              |              |
| ΔLH01                                      | 1    | 1 | LC11560010 | Choke Coil, 15mH x 2         |              |
| <b>PR00-POWER IND. CIRCUIT BOARD</b>       |      |   |            |                              |              |
| PR00                                       | 1    | 1 | YK101K1720 | P.W. Board, Power Ind.       |              |
|  | 1    |   | ZZ101K8720 | P.W. Board Assembly          |              |
| DR01                                       | 1    | 1 | HI10032030 | L.E.D.                       | SLP171D      |
| <b>PR50-DISC INSIDE IND. CIRCUIT BOARD</b> |      |   |            |                              |              |
| PR50                                       | 1    | 1 | YK101K1730 | P.W. Board, Disc Inside Ind. |              |
|  | 1    |   | ZZ101K8730 | P.W. Board Assembly          |              |
| RR51                                       | 1    | 1 | GG05122120 | Resistor                     | 1.2KΩ ±5% ½W |
| DR51                                       | 1    | 1 | HI10016050 | L.E.D.                       | TLUG-143     |
| DR52                                       | 1    | 1 | HI10016050 | L.E.D.                       | TLUG-143     |
| DR53                                       | 1    | 1 | HI10016050 | L.E.D.                       | TLUG-143     |



• (N): for Europe  
• (F): for Japan

| REF. DESIG.                               | QTY |   | PART NO.   | DESCRIPTION   |
|---|-----|---|------------|---|
|   | N   | F |            |   |
| PS00                                      | 1   | 1 | YK101K1420 | <b>PS00-PROGRAM KEY SW. CIRCUIT BOARD</b><br>P.W. Board, Program Key SW.<br>P.W. Board Assembly |
|   | 1   |   | ZZ101K8420 |   |
| <b>PS00-RESISTORS</b>                     |     |   |            |   |
| RS01                                      | 1   | 1 | GD05821140 | 820Ω ±5% ¼W   |
| RS02                                      | 1   | 1 | GD05821140 | 820Ω ±5% ¼W   |
| RS03                                      | 1   | 1 | GD05821140 | 820Ω ±5% ¼W   |
| RS04                                      | 1   | 1 | GD05821140 | 820Ω ±5% ¼W   |
| <b>PS00-SWITCHES</b>                      |     |   |            |   |
| SS01                                      | 1   | 1 | SP01010580 | Push Switch, All Cancel   |
| SS02                                      | 1   | 1 | SP01010580 | Push Switch, Program Sel  |
| SS03                                      | 1   | 1 | SP01010580 | Push Switch, Preset   |
| SS04                                      | 1   | 1 | SP01010580 | Push Switch, Repeat   |
| SS05                                      | 1   | 1 | SP01010580 | Push Switch, Cancel   |
| <b>PU00-MODE KEY SWITCH CIRCUIT BOARD</b> |     |   |            |   |
| PU00                                      | 1   | 1 | YK101K1430 | P.W. Board, Mode Key Switch<br>P.W. Board Assembly  |
|   | 1   |   | ZZ101K8430 |   |
| SU01                                      | 1   | 1 | SP01010580 | Push Switch, REV  |
| SU02                                      | 1   | 1 | SP01010580 | Push Switch, FF   |
| SU03                                      | 1   | 1 | SP01010580 | Push Switch, PLAY/NEXT  |
| SU04                                      | 1   | 1 | SP01010580 | Push Switch, PLAY/NEXT  |
| SU05                                      | 1   | 1 | SP01010580 | Push Switch, PAUSE  |
| <b>PU50-SIGNAL RELAY 2 CIRCUIT BOARD</b>  |     |   |            |   |
| PU50                                      | 1   | 1 | YK101K1440 | P.W. Board, Signal Relay 2<br>P.W. Board Assembly   |
|   | 1   |   | ZZ101K8440 |   |
| JU51                                      | 1   | 1 | YJ06002680 | Jack  |
| JU52                                      | 1   | 1 | YJ06002680 | Jack  |
| JU53                                      | 1   | 1 | YJ06002680 | Jack  |
| JU54                                      | 1   | 1 | YP06003040 | Plug  |
| JU55                                      | 1   | 1 | YP06003010 | Plug  |
| JU56                                      | 1   | 1 | YP06003020 | Plug  |
| JU57                                      | 1   | 1 | YP06003020 | Plug  |
| JU58                                      | 1   | 1 | YP10002020 | Plug  |
| JU59                                      | 1   | 1 | YP10001990 | Plug  |
| JU60                                      | 1   | 1 | YP06003030 | Plug  |
| SU51                                      | 1   | 1 | SP01010580 | Push Switch, Play   |
| WU51                                      | 1   | 1 | YB00380030 | Connective Cord, (8P)   |
| WU52                                      | 1   | 1 | YB00380030 | Connective Cord, (8P)   |
| WU53                                      | 1   | 1 | YB00380030 | Connective Cord, (8P)   |
| WU54                                      | 1   | 1 | YB00380040 | Connective Cord, (6P)   |
| WU55                                      | 1   | 1 | YB00300640 | Connective Cord, (3P)   |
| WU56                                      | 1   | 1 | YB00400340 | Connective Cord, (4P)   |
| WU58                                      | 1   | 1 | YB00250170 | Connective Cord, (6P)   |
| WU59                                      | 1   | 1 | YB00130080 | Connective Cord, (3P)   |

| REF. DESIG.   | QTY |    | PART NO.   | DESCRIPTION   |
|---|-----|----|------------|---|
|   | N   | F  |            |   |
| PY00  | 1   | 1  | YK101K1410 | <b>PY00-DISPLAY CIRCUIT BOARD</b><br>P.W. Board, Display<br>P.W. Board Assembly |
|   | 1   |    | ZZ101K8410 |   |
| <b>PY00-CAPACITORS</b>                                  |     |    |            |   |
| CY01  | 1   | 1  | EA33601030 | Elect 33μF 10V  |
| CY02  | 1   | 1  | EA33601030 | Elect 33μF 10V  |
| CY03  | 1   | 1  | DK18103300 | Ceramic 0.01μF  |
| CY04  | 1   | 1  | DK18103300 | Ceramic 0.01μF  |
| <b>PY00-RESISTORS</b><br>(All Resistors are ±5% and ¼W) |     |    |            |   |
| RY01  | 1   | 1  | GD05821140 | 820Ω  |
|   | 1   | 1  | GD05821140 |   |
| RY02  | 1   | 1  | GD05821140 | 820Ω  |
| RY03  | 1   | 1  | GD05821140 | 820Ω  |
| RY04  | 1   | 1  | GD05821140 | 820Ω  |
| RY05  | 1   | 1  | GD05680140 | 68Ω   |
| RY06  | 1   | 1  | GD05332140 | 3.3KΩ   |
| RY07  | 1   | 1  | GD05821140 | 820Ω  |
| <b>PY00-SEMICONDUCTORS</b>                              |     |    |            |   |
| QY01  | 1   | 1  | HC10012360 | IC MM5450N  |
| QY02  | 1   | 1  | HC10017270 | IC HEF4094  |
| DY01  | 1   | 1  | HI10017050 | L.E.D. TLPG-144   |
| DY02  | 1   | 1  | HI10017050 | L.E.D. TLPG-144   |
| DY03  | 1   | 1  | HI10017050 | L.E.D. TLPG-144   |
| DY04  | 1   | 1  | HI10017050 | L.E.D. TLPG-144   |
| DY05  | 1   | 1  | HI10017050 | L.E.D. TLPG-144   |
| DY06  | 1   | 1  | HI10017050 | L.E.D. TLPG-144   |
| DY07  | 1   | 1  | HI10017050 | L.E.D. TLPG-144   |
| DY08  | 1   | 1  | HI10017050 | L.E.D. TLPG-144   |
| DY09  | 1   | 1  | HI10017050 | L.E.D. TLPG-144   |
| DY10  | 1   | 1  | HI10017050 | L.E.D. TLPG-144   |
| DY11  | 1   | 1  | HI10017050 | L.E.D. TLPG-144   |
| DY12  | 1   | 1  | HI10017050 | L.E.D. TLPG-144   |
| DY13  | 1   | 1  | HI10017050 | L.E.D. TLPG-144   |
| DY14  | 1   | 1  | HI10017050 | L.E.D. TLPG-144   |
| DY15  | 1   | 1  | HI10017050 | L.E.D. TLPG-144   |
| DY51  | 15  | 15 | HI10040020 | L.E.D. LN422YP  |
| ?   |     |    |            |   |
| DY65  | 1   | 1  | HI10030020 | L.E.D. LN224RP  |
| DY71  | 1   | 1  | HI10030020 | L.E.D. LN224RP  |
| DY72  | 1   | 1  | HI10030020 | L.E.D. LN224RP  |
| DY81  | 1   | 1  | HD20005010 | Diode W06B  |
| DY82  | 1   | 1  | HD20005010 | Diode W06B  |
| <b>PY00-MISCELLANEOUS</b>                               |     |    |            |   |
| JY01  | 1   | 1  | YP06003040 | Plug  |
| JY02  | 1   | 1  | YP06003040 | Plug  |
| JY58  | 1   | 1  | YP06003040 | Plug  |
| WY01  | 1   | 1  | YB00240050 | Connective Cord, (6P)   |
| WY02  | 1   | 1  | YB00150340 | Connective Cord, (6P)   |

• (N): for Europe  
• (F): for Japan

| REF. DESIG. | Q'TY |   | PART NO.                 | DESCRIPTION  |
|-------------|------|---|--------------------------|--|
|             | N    | F |                          |  |
| PZ00        | 1    | 1 | YK101K1750<br>ZZ101K8750 | <b>PZ00-MODE INDICATOR<br/>CIRCUIT BOARD</b>                               |
|             | 1    |   |                          | P.W. Board, Mode Indicator<br>P.W. Board, Assembly                         |
|             |      |   |                          | <b>PZ00-RESISTORS</b><br>(All Resistors are $\pm 5\%$ and $\frac{1}{4}W$ ) |
| RZ01        | 1    | 1 | GD05103140               | 10K $\Omega$   |
| RZ02        | 1    | 1 | GD05152140               | 1.5K $\Omega$  |
| RZ03        | 1    | 1 | GD05103140               | 10K $\Omega$   |
| RZ04        | 1    | 1 | GD05223140               | 22K $\Omega$   |
| RZ05        | 1    | 1 | GD05121140               | 120 $\Omega$   |
|             |      |   |                          | <b>PZ00-SEMICONDUCTORS</b>   |
| DZ01        | 1    | 1 | HI10021300               | L.E.D. PR2533D   |
| DZ02        | 1    | 1 | HI10022300               | L.E.D. BG2533D   |
| DZ03        | 1    | 1 | HI10023300               | L.E.D. AY2533D   |
| QZ01        | 1    | 1 | HT605571B0               | Transistor BC557(B)  |
| QZ02        | 1    | 1 | HT605571B0               | Transistor BC557(B)  |

| REF. DESIG. | Q'TY |   | PART NO.                 | DESCRIPTION                                       |
|-------------|------|---|--------------------------|---|
|             | N    | F |                          |   |
| PZ50        | 1    | 1 | YK101K1760<br>ZZ101K8760 | <b>PZ50-SIGNAL RELAY 1<br/>CIRCUIT BOARD</b>      |
|             | 1    |   |                          | P.W. Board, Signal Relay 1<br>P.W. Board Assembly |
| JZ51        | 1    | 1 | YJ06002680               | Jack  |
| JZ52        | 1    | 1 | YJ06002680               | Jack  |
| JZ53        | 1    | 1 | YJ06002680               | Jack  |
| JZ54        | 1    | 1 | YJ06002450               | Jack, (6P)  |
| JZ55        | 1    | 1 | YJ06002430               | Jack, (3P)  |
| JZ56        | 1    | 1 | YJ06002440               | Jack, (4P)  |
| JZ57        | 1    | 1 | YJ06002440               | Jack, (4P)  |
| JZ58        | 1    | 1 | YJ06002450               | Jack, (6P)  |
| JZ59        | 1    | 1 | YJ06002450               | Jack, (6P)  |
| WZ58        | 1    | 1 | YU06340260               | Jumper Lead, (6P)                                 |
| WZ59        | 1    | 1 | YU05320260               | Jumper Lead, (5P)                                 |

|          |                     |
|----------|---------------------|
| (W01-99) | Assembly and Wiring |
| (T01-99) | Adjustment          |
| (X01-00) | Correction          |

**NOTE ON SAFETY:**

Symbol  $\triangle$  Fire or electrical shock hazard. Only original parts should be used to replace any part marked with symbol  $\triangle$ . Any other component substitution (other than original type), may increase risk of fire or electrical shock hazard.

## 11. TECHNICAL SPECIFICATIONS

### AUDIO PERFORMANCE

|   |   |
|---|---|
| Number of Channels                      | 2   |
| Frequency Range                         | 20–20,000 Hz                              |
| Dynamic Range                           | >90 dB                                    |
| Signal-to-Noise Ratio                   | >90 dB                                    |
| Channel Separation                      | >90 dB                                    |
| Total Harmonic Distortion (incl. noise) | <0.005%                                   |
| Wow and Flutter                         | quartz crystal precision                  |
| D/A Conversion                          | 16 bit with digital filtering             |
| Error Correction System                 | Cross Interleave Reed Solomon Code (CIRC) |
| Audio Output Level                      | 2 V rms                                   |

### OPTICAL READOUT SYSTEM

|             |                       |
|-------------|-----------------------|
| Laser       | semi-conductor AlGaAs |
| Wave length | 0.78 $\mu$ m          |

### SIGNAL FORMAT

|                    |                       |
|--------------------|-----------------------|
| Sampling Frequency | 44.1 kHz              |
| Quantization       | 16 bit linear/channel |

### DISC

|  |                 |
|--|-----------------|
| Diameter                                   | 120 mm          |
| Thickness                                  | 1.2 mm          |
| Sense of rotation (seen from reading side) | anti-clockwise  |
| Scanning velocity                          | 1.2–1.4 m/s     |
| Rotation speed                             | 500–200 rpm     |
| Playing time (max)                         | 60 min (stereo) |
| Track pitch                                | 1.6 $\mu$ m     |
| Material                                   | plastic         |

### POWER SUPPLY

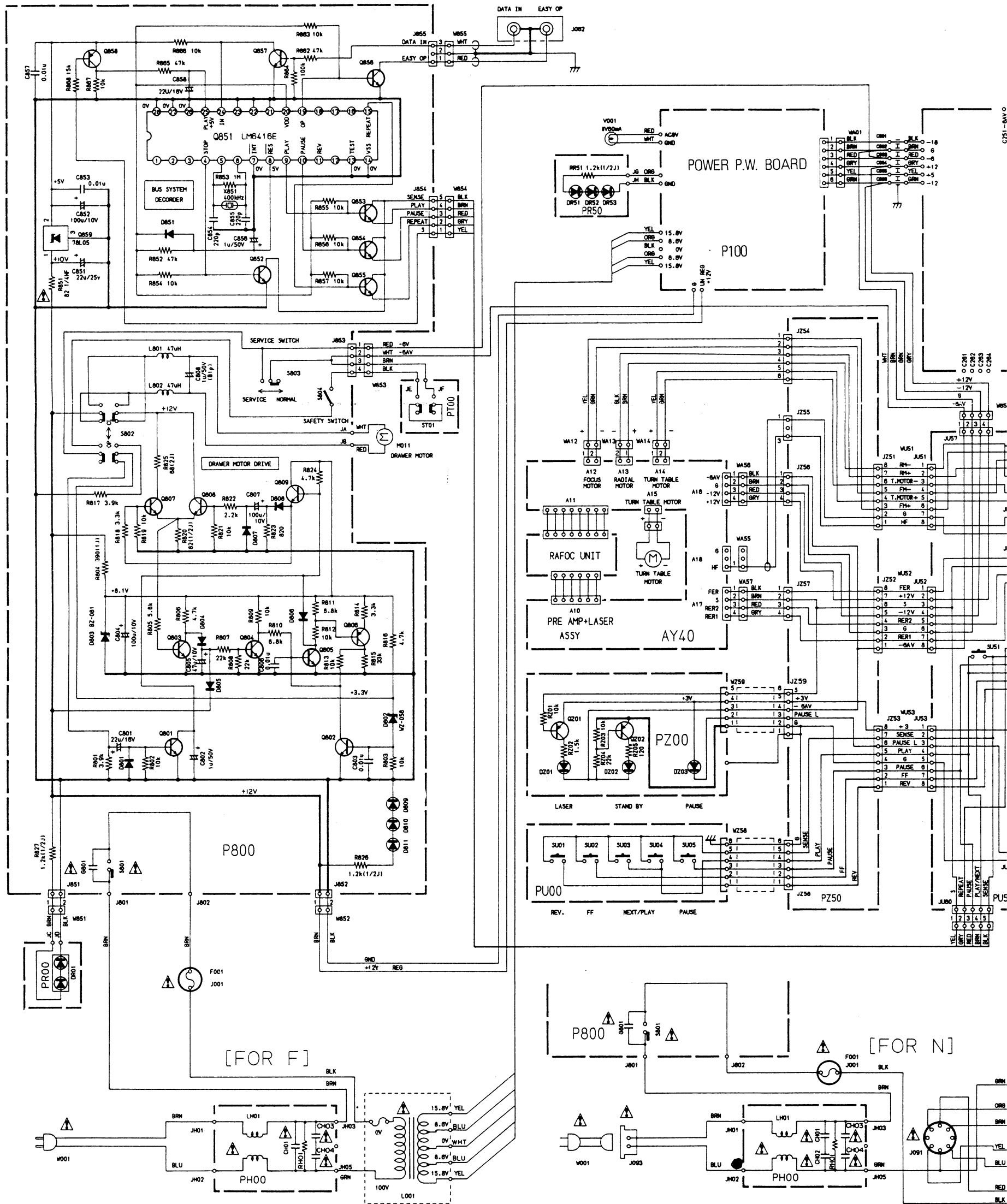
|                     |  |
|---------------------|--|
| Mains Voltage       | see type plate at the bottom of the player |
| Mains Frequencies   | 50 and 60 Hz                               |
| Power Consumption   | 40 W approx                                |
| Safety Requirements | IEC  |

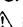
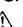
### CABINET, GENERAL

|  |  |
|--|--|
| Material/finish  | polystyrene with extruded aluminium profiles |
| This model is convertible to 110/120/220/240 volts by changing voltage selector on the rear panel. |  |
| Dimensions (W x H x D)   |  |
| with drawer closed   | 416 x 81 x 300 mm                            |
| with drawer open   | 416 x 130 x 483 mm                           |
| Weight   | 8 kg approx                                  |
| Connection Cable   | fitted with moulded cinch plugs              |

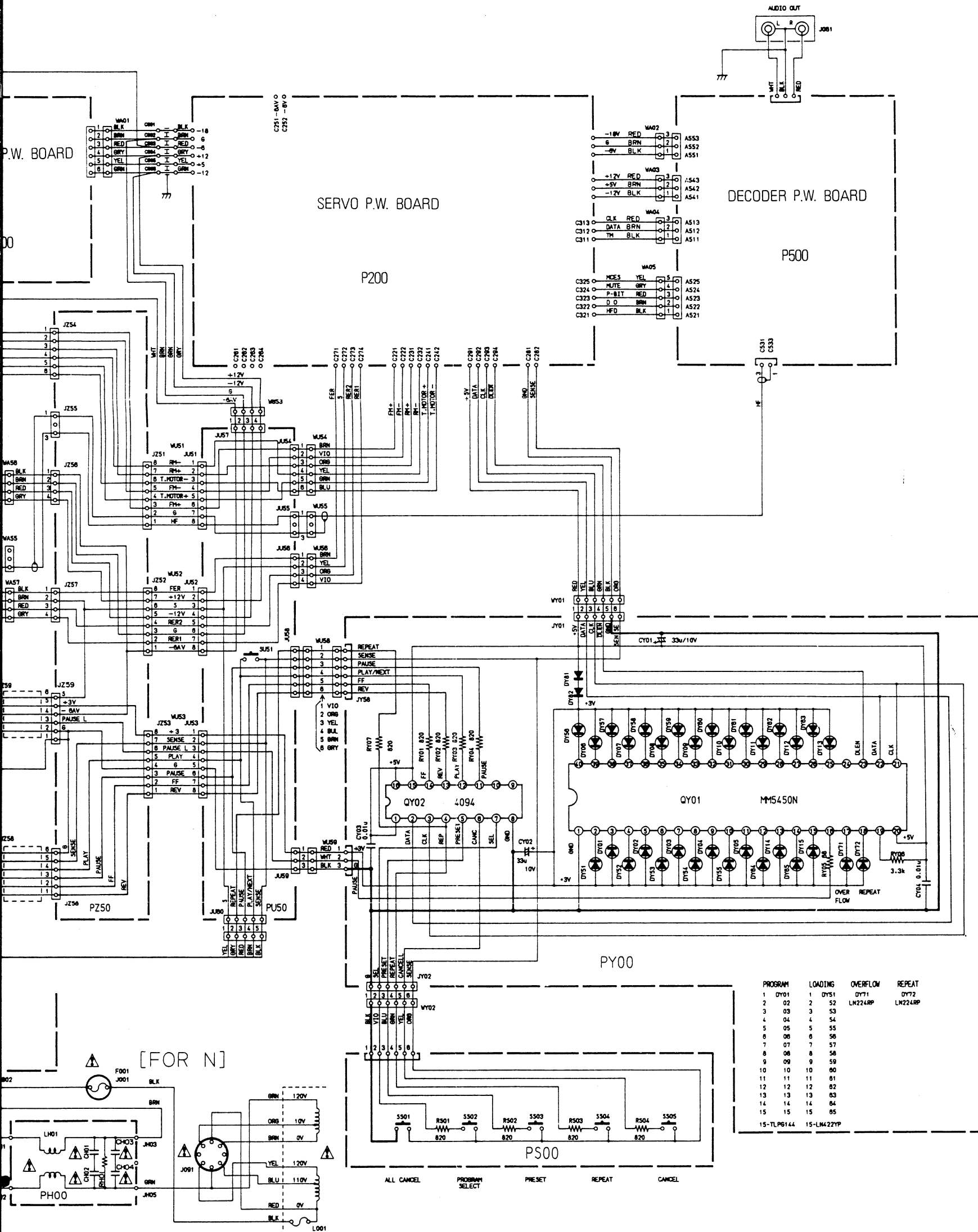
Specifications and appearance are subject to change for modification without notice.

12. SCHEMATIC DIAGRAM



**NOTE ON SAFETY :**  
 Symbol  Fire or electrical shock hazard. Only original parts should be used to replace any part marked with symbol . Any other component substitution (other than original type), may increase risk of fire or electrical shock hazard.

# Model CD-73



| PROGRAM    | LOADING    | OVERFLOW | REPEAT |
|------------|------------|----------|--------|
| 1          | DY01       | DY51     | DY71   |
| 2          | 02         | 2        | 52     |
| 3          | 03         | 3        | 53     |
| 4          | 04         | 4        | 54     |
| 5          | 05         | 5        | 55     |
| 6          | 06         | 6        | 56     |
| 7          | 07         | 7        | 57     |
| 8          | 08         | 8        | 58     |
| 9          | 09         | 9        | 59     |
| 10         | 10         | 10       | 60     |
| 11         | 11         | 11       | 61     |
| 12         | 12         | 12       | 62     |
| 13         | 13         | 13       | 63     |
| 14         | 14         | 14       | 64     |
| 15         | 15         | 15       | 65     |
| 15-TLPG144 | 15-LM422YP |          |        |

[FOR N]

ALL CANCEL    PROGRAM SELECT    PRESET    REPEAT    CANCEL