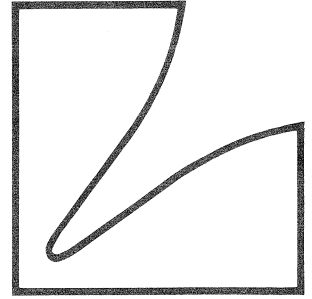
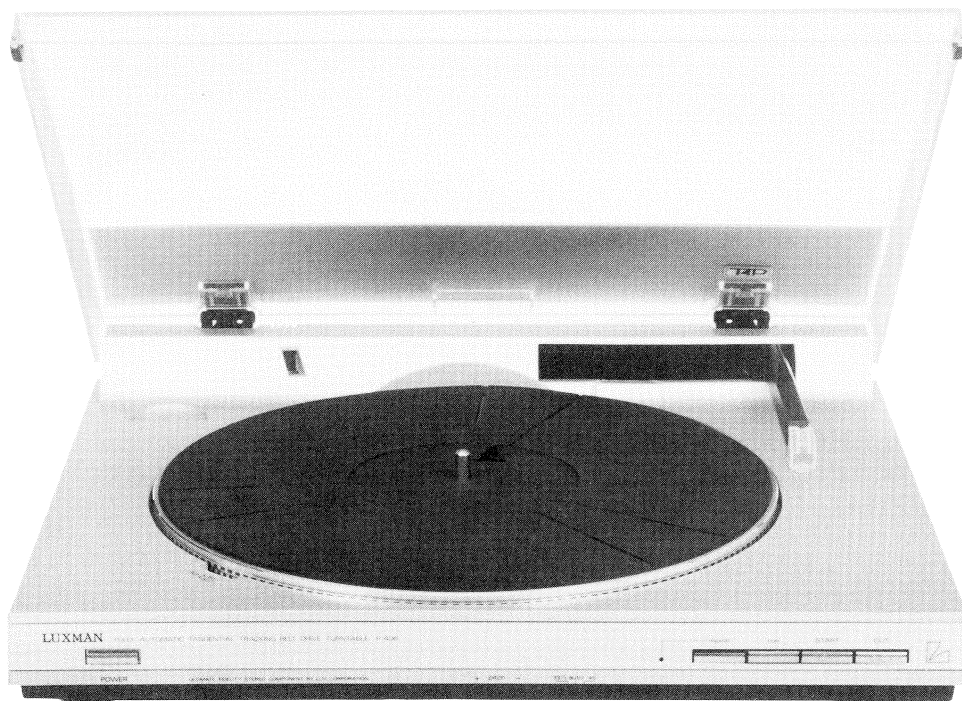


SERVICE MANUAL



Fully-Automatic Tangential Tracking
Belt Drive Turntable

P-406 / P-102



Contents

Specifications	2
Parts Locations and Disassembly Instructions	3 to 7
Adjustment Procedures	8 to 9
Trouble Shooting Guide	10
Parts Layout on P.C. Boards	11
Wiring Diagram	12
Electrical Parts List	13 to 14
Schematic Diagram	15 to 16
Exploded View (Cabinet)	17 to 18
Cabinet Assembly Parts List	19 to 20
Packing Method View	21
Packing Assembly Parts List	22

Specifications

TURNTABLE

Motor	FG Servo DC motor
Speeds	33-1/3 and 45r.p.m.
Wow & Flutter	0.1% (WRMS)
Rumble	60 dB DIN45539B (weighted)
Turntable Platter	296 mm aluminum alloy die-cast

TONARM

Effective Length	130 mm
Tracking Error	Within 0.1 degrees
Usable Cartridge	Universal P-mount type

CARTRIDGE

Type	P-mount system, with 0.6 mil stylus Dual Magnet type
Frequency Response	20 ~ 20,000 Hz
Output Voltage	2.5mV ±3 dB at 1 kHz 3.54 cm/sec.
Channel Balance	Within 2 dB at 1 kHz
Channel Separation	More than 18 dB at 1 kHz
Load Resistance	47KΩ
Weight	6 g

OPERATION: Microcomputer-controlled fully automatic: Automatic start, return, repeat and record size selector by beam sensor

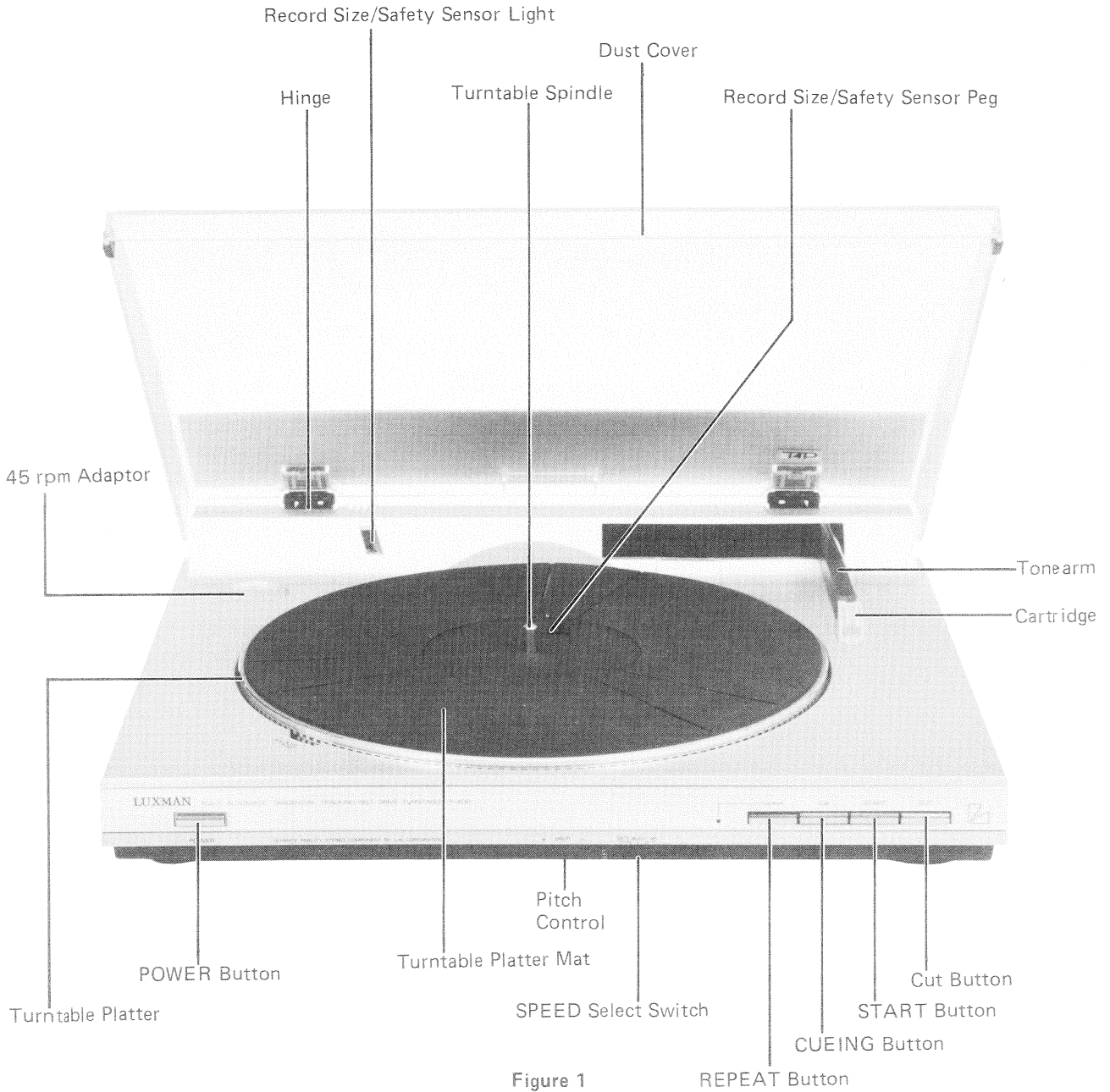
Cueing	DC motor controlled
Muting	Reed relay method avoiding shock noise
Speed Selector	Automatic selection by beam sensor (switchable for manual operation)

GENERAL

Power Consumption	12 watts
Dimensions	416(W) x 94(H) x 346(D) mm
Weight	4.1 kg (net)

NOTE: Due to continuing product improvement, specifications and design are subject to change without notice.

Parts Locations and Disassembly Instructions



1. Removal of Cabinet Top "1"

- In case that the tonearm starts moving normally.

- (1) Press the POWER Button "5" so that the power will be switched off, and remove the turntable platter as shown in Figure 2.

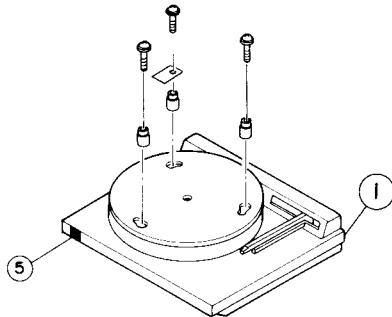


Figure 2

- (2) Place the unit upside down on a suitable bench. Remove seven screws "21" which mount the Cabinet bottom "15" as shown in Figure 3.

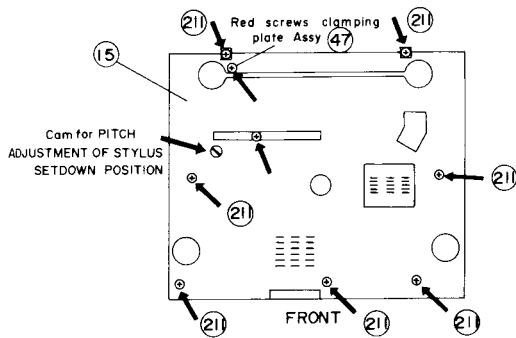


Figure 3

- (3) Reverse the unit. Remove one screw "208" which mounts the cover "10" to the cabinet top "1".

Remove the cover "10" from the Cabinet top by pulling it out as shown in Figure 4.

- (4) Press the POWER button so that the power will be switched on and remove the tonearm to the position where the Cover "10" was mounted, by pressing the START button. Press the POWER button to switch the unit off.

Remove three screws "21" which mount the cabinet top as shown in Figure 5, and lift the cabinet top off.

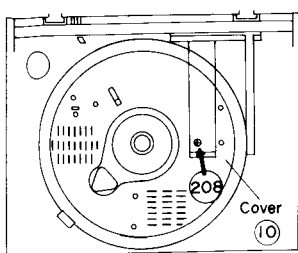


Figure 4

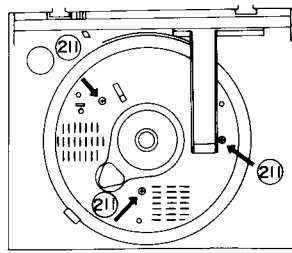


Figure 5

- In case that the tonearm does not start moving with trouble.

- (1) If the tonearm is above or on the turntable platter, turn the pulley "33" counterclockwise through the hole as shown in Figure 6 with a slotted-head screwdriver (width 2.5 ~ 4 mm) until tonearm moves to its rest position. Remove the turntable platter.

Follow the same procedures as described above 1. (2), (3) and (4).

Move the tonearm to the position where the cover "10" was mounted, turning the pulley "33" clockwise as shown in Figure 6.

Follow the same step described in 1. (4).

If the tonearm does not move by turning the Pulley "33" (Figure 6), an additional force by finger should be added to the bended part of tonearm in the desired direction.

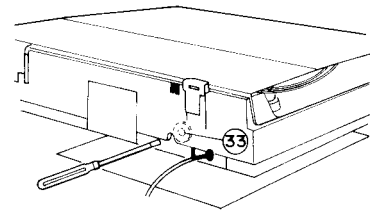


Figure 6

2. Removal of the Plate Assembly "47"

- (1) After removing the cabinet top, remove position PCB Assembly "84" as shown in Figure 7.

- (2) Remove the Belt "34" between Servo-controlled Motor "76" and Pulley "33".

- (3) Remove the Bearing Assy "30" as shown in Figure 8.

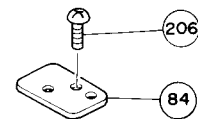


Figure 7

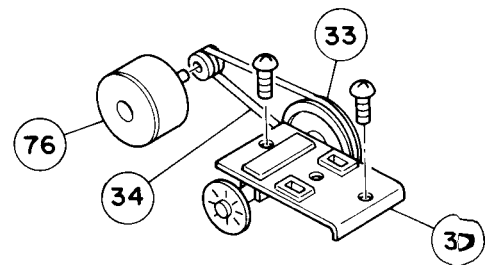


Figure 8

- (4) After removing one screw " 201 " as shown in Figure 9, remove the Plate Assembly " 47 " by lifting the left end of the Pipe " 42 ".

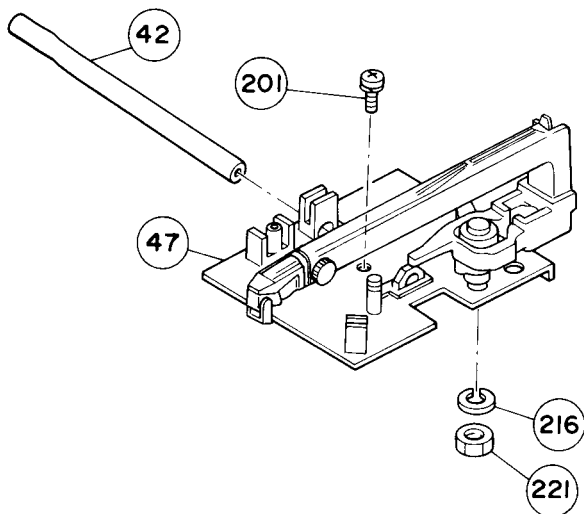


Figure 9

3. Removal of the Tonearm Assembly " 63 "

- (1) Unsolder the five lead-wires on Phono PCB Assembly " 82 " coming from tonearm.
- (2) Remove the Phono PCB Assembly which is mounted to the Plate Assembly " 47 " by two screws, " 202 " and " 205 " as shown in Figure 10.
- (3) Remove the Hexagon Nut " 221 " and Spring Washer " 216 " to remove the tonearm assembly as shown in Figure 9.

Note: When the Phono PCB Assembly " 82 " is mounted, make sure to refer to "4. No Tracking Error Adjustment" (page 9).

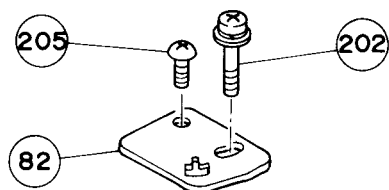


Figure 10

4. Removal of the Switch " 79 " on the Plate Assembly " 47 "

- (1) Remove the E type Washer " 217 " 2φ on Plate Assembly " 47 ".
- (2) Remove the Washer " 219 " and Spring " 59 ".
- (3) Remove the Lift Angle Assembly " 48 ".
- (4) Remove one screw " 204 " as shown in Figure 11.

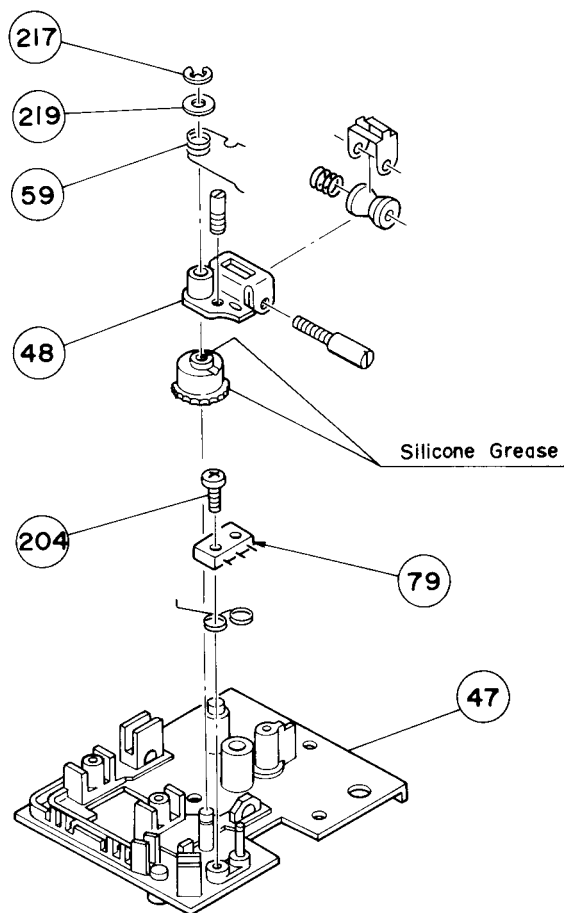


Figure 11

5. Remove the Worm Gears " 31 " and " 54 "

- (1) Worm gears have been press-insert mounted. When worm gears are lifted, make sure to apply an equal force to each connecting parts as shown in Figure 12.
- (2) To lift the Worm Gear " 54 " remove two screws " 213 " as shown in Figure 12.

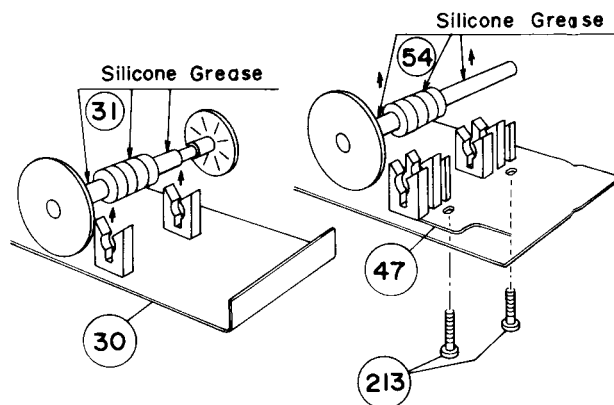


Figure 12

Replacement and Reassembly

1. The Wire Assembly "38"

- (1) Prior to mounting, Wire Assembly "38" should be rolled two turns with the Wheel "35" as shown in Figure 13.
- (2) Place the Wheel "35" to the Shaft "36", and rotate the wheel clockwise until the starting point of the wire (slit on pulley) comes to the Point A as shown in Figure 14.
- (3) Rotate the wheel then counterclockwise until the arrowed point A comes to the arrowed point B. This position will correspond to the most left possible location of the Plate Assembly "39".
- (4) Place the Guide "38-2" to the depressed part on cabinet bottom as shown in Figure 13.

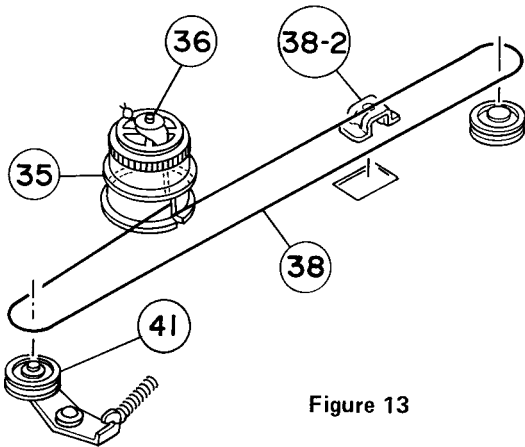


Figure 13

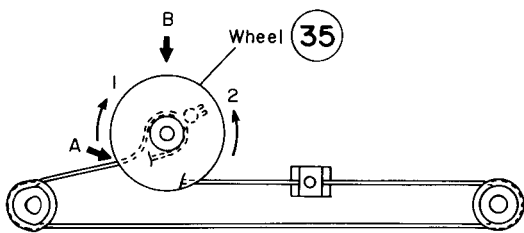


Figure 14

2. Cautions on Replacement of the Cam "60"

- (1) When Cam "60" is replaced, make sure that the depressed part on the cam should be mounted facing with the tonearm as shown in Figure 15.

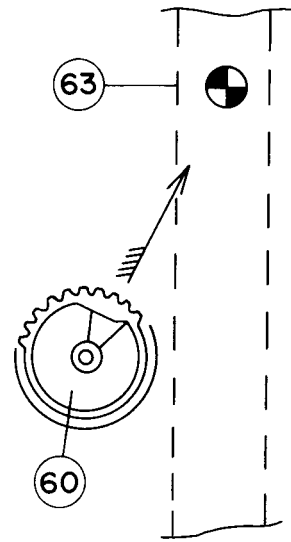


Figure 15

Cautions Reassembly of The Worm Gear Assembly "31"

1. Worm gear "54" Assembly

- (1) Pressing insert the Pulley "55" to the Worm Gear "54" so that the left end of the worm gear will be on the same level as the face of the smaller circle in the pulley as shown in Figure 16.

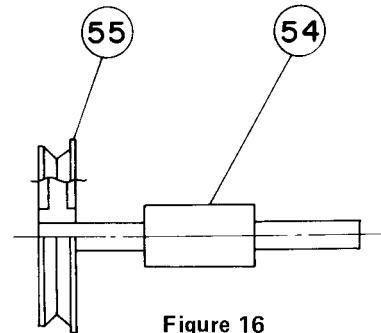


Figure 16

2. Worm gear "31" Assembly

- (1) As described in Figure 17 pressing insert the shifter "32" to the long and pulley to the short bars of Worm Gear "31" respectively. When the shifter "32" is assembled, make sure that the left end of the bar is on the same level as the face of the shorter boss of shifter. When the Pulley "33" is assembled, press the pulley as long as it goes.

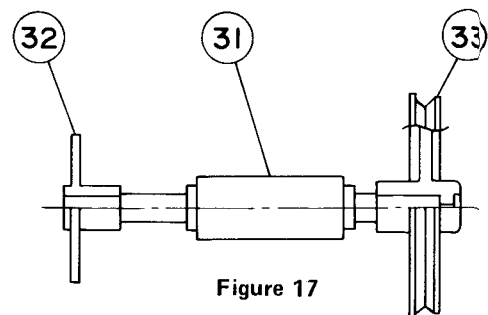


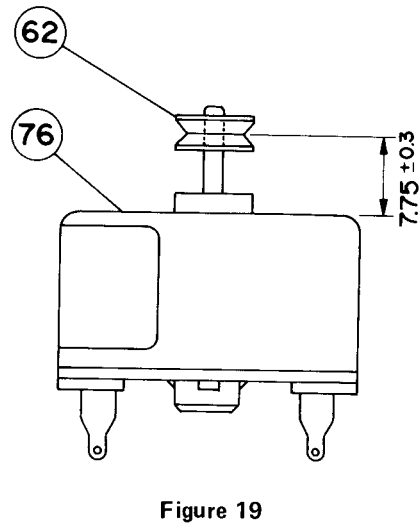
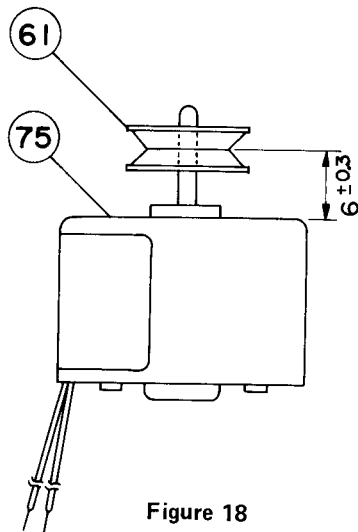
Figure 17

Reassembly of the Motors " (75) " and " (76) "

- (1) When the Pulley ((61) or (62)) is mounted to the motor ((75) or (76)), make sure to have the specified clearance between the pulley and the motor referring to Figures 18 and 19.
- (2) After mounting the pulley, apply quick-dry adhesive agent. We recommend "NEJI-LOCK SUPER, 1324B" for this assembly.

To Reassemble, Use Disassembly Instructions in Reverse.

Note: Reverse the disassembly Instructions to reassemble.



Adjustment Procedures

1. Stylus Point Height

- (1) Remove the cabinet top according to "1. Removal of Cabinet Top" (page 4).
- (2) Turn the screw "53" described in Figure 20 so that the clearance between stylus and turntable platter will be within 8 ~ 10 mm when the tonearm is in up position (Figure 21).

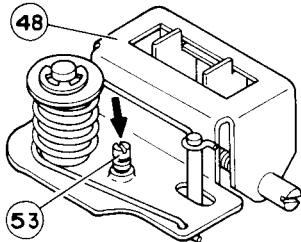


Figure 20

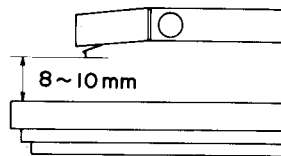


Figure 21

2. Tonearm Setup Position

- (1) Remove the cabinet top according to "1. Removal of Cabinet Top" (page 4).
- (2) Turn the adjuster "50" described in Figure 22 so that the tonearm will be mounted at right angles with its moving direction (Figure 23).
- (3) After this adjustment, make sure to apply "4. No Tracking Error Adjustment" (page 9).

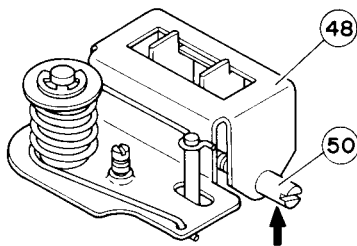


Figure 22

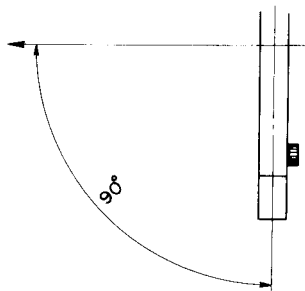


Figure 23

3. Tracking Sensor Sensitivity

This adjustment is subject to rectifying the uneven sensitivity of Photo Interrupter PC301 on the Phono PCB Assembly "82".

Note: This adjustment has to be done without any direct sun shine nor any strong light.

- (1) Remove the cabinet top according to "1. Removal of Cabinet Top" (page 4).
- (2) Press this POWER button so that the unit will be switched on.
- (3) Connect the D.C. voltmeter between TP1 and TP3 terminals on Control PCB Assembly "81" (Figure 24).

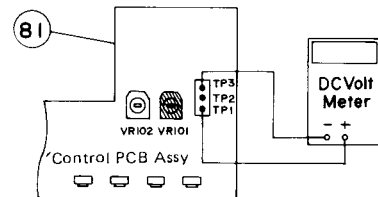


Figure 24

- (4) Slightly loosen two screws, "202" and "205", which fasten the Photo PCB Assembly "82" (Figure 25).
- (5) Turn the adjusting boss counterclockwise with the screwdriver (Figure 25).

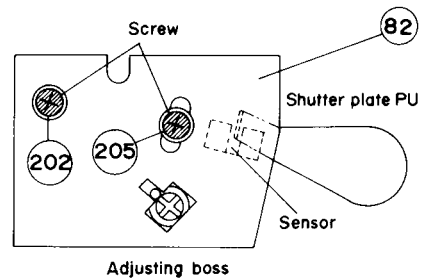


Figure 25

- (6) Turn the Phono PCB Assembly clockwise by approximately 5° with the screw A as a center (Figure 26).

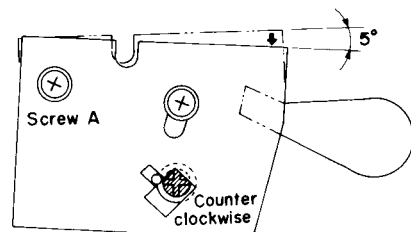


Figure 26

- (7) Make sure that the sensor gets enough light not being obstructed by shutter plate.
- (8) Turn the Variable Resistor (VR101) with a small size slotted-head screwdriver so that the voltmeter reads 3.9 ~ 4.1 volts.
- (9) After the above adjustment, make sure to apply "4. No Tracking Error" and "5. Stylus Set-Down Position Adjustments" (page 9).

4. No Tracking Error

Note: This adjustment has to be done without any direct sun shine nor any strong light.

- (1) Remove the cabinet top according to "1. Removal of Cabinet Top" (page 4).
- (2) Press the POWER button so that the unit will be switched on.
- (3) Connect the D.C. voltmeter between TP1 and TP3 terminals on Control PCB Assy " (81) " as shown in Figure 24. Slightly loosen two screws, " (202) " and " (205) ", which fasten the Phono PCB Assy as shown in Figure 25. Turn the adjusting boss with a screwdriver so that the voltmeter shows $-0.5 \sim +0.5$ volts.
- (4) Re-connect D.C. voltmeter between TP2 and TP3 terminals on Control PCB Assembly as shown in Figure 27.

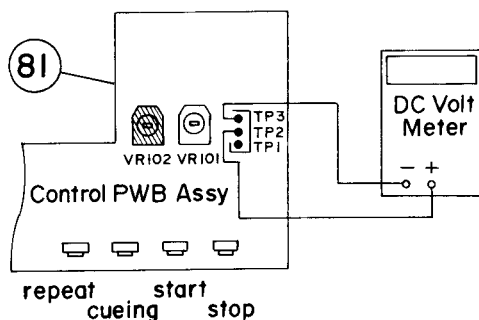


Figure 27

- (5) Without placing the turntable platter, press the START button so that the tonearm starts moving.
- (6) Press the CUEING button so that the tonearm lifts after stylus set-down.
- (7) Turn the variable resistor (VR102) with a screwdriver so that the voltmeter shows 0.4 ~ 0.6 volts.
- (8) Press the CUEING button so that the tonearm descends and press the STOP button for tonearm return to its rest.
After above adjustment, make sure to apply "5. Stylus Set-Down Position Adjustment".

5. Stylus Set-Down Position

- (1) Remove the cabinet top according to "1. Removal of Cabinet Top" (page 4).
- (2) Press the POWER button so that the unit will be switched on. Place the turntable platter, install the belt to the pulley and place the mat.
- (3) Use the first face of NEC test record ES-1008 for this adjustment. Press the START button; turntable platter starts rotation, the tonearm will move and descend onto a record.
- (4) Turn the adjusting pin described in Figure 28 so that the stylus set-down position will be counted between 15 and 17 points.
- (5) Using the second face of the test record ES-1008 make sure that the automatic return position will be counted between 19 and 22 points.

Note: After the above steps, no adjustment for 17 cm records is required. However, to settle the specified counting position by the first time adjustment may be difficult. Apply several times adjustments to confirm the above specified position.

6. Pitch Adjustment of Stylus Set-Down Position

After fundamental adjustment mentioned above 5., pitch adjustment of stylus set-down position is available without removing the case cabinet top.

- (1) Place the unit upside down on a suitable bench.
- (2) Stylus set-down position can be adjusted by rotating the cam through the hole which is marked in Figure 3 with a slotted-head screwdriver.
- (3) Counterclockwise turn moves the set-down position inward; clockwise turn moves the set-down position outward.

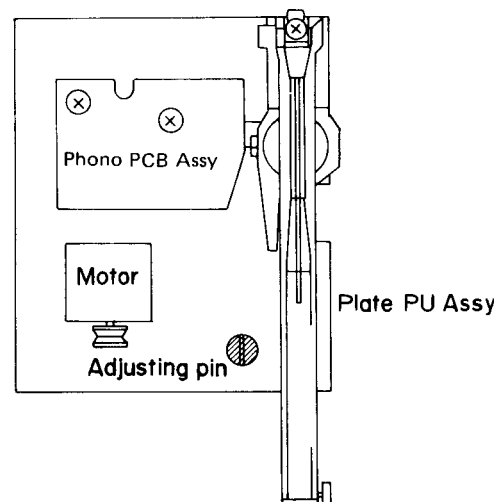


Figure 28

Trouble Shooting Guide

1. The Record Size Searcher Light Does Not Turn On

Measure the voltage between GND and +12 volts terminals on Control PCB Assy " (81) " with D.C. volt meter.

- * Approximately +12V is supplied: Measure the voltage between 1 and 2 terminals on Position PCB " (84.1) " with D.C. voltmeter.
- * Approximately 12V is supplied: Lead-wire is defective.
- * Too short voltage is supplied: Jumper Lead 7P (J7P) or connector is defective.
- * Quite different voltage from +12V is supplied: IC101 is defective.

2. The Turntable Platter Does Not Start Rotation After Placing The Record

Check to see that the base-voltage at Q102 is approximately +12V when tonearm returns to its rest upon STOP button being pressed, and the voltage is lowered by approximately +11.4V upon START button being pressed.

- * **Yes:** Phone Motor " (77) " is defective.
- * **No:** IC105 or R113 is defective.

3. Stylus Set-Down Position Is Not Corresponding to The Record Size

Check to see that the pin 6 voltage at IC104 against GND will be changed from approximately +5V to approximately 0V when the light through the slit on the turntable platter reaches to the Photo Transistor Q401 on Record PCB Assy " (83) ".

Note: Make sure that no outside light will be reached to Photo transistor during the measurement. Use D.C. voltmeter or oscilloscope for the measurement.

- * No change: Photo Transistor Q401, Q115 or IC104 is defective.
- * Changing: IC105 is defective.

Note: After replacement of the part, the adjustment according to Adjustment, 5. on page 9 should be applied.

4. Tonearm Moves Too Inside Upon Start Button Being Pressed

Check to see that the collector voltage at IC501 against GND with the oscilloscope will be changed by 8 pulses per one turn (from approximately +12V to 0V) according to the turn of Shifter " (32) " which has 8 slits.

- * No change or small number of pulse: PC501 or IC104 is defective.
- * Changing: IC105 is defective.

Information: The IC105 acknowledges that the tonearm moves to the stylus set-down and/or return position when the number of the pulse from the start point corresponds to the number programmed beforehand. After the acknowledgement, IC105 will supply the necessary signal for various movement according to the position of tonearm.

5. No Sound From The Loud Speaker

Measure the value of resistor between Wire Shield " (74) " and its shielded part.

- * 0 ohm: The circuit " (81) " or " (82) " is shortage or muting relay is defective.
- * Approximately ∞ ohm: The dead circuit or defective cartridge.

6. No Muting Works Upon Stylus Up Action

Check to see that the base-voltage at Q112 against GND is approximately 0.6V when tonearm is in up position upon CUEING button being pressed, and the voltage is approximately 0V upon CUEING button being pressed again.

- * **Yes:** Q112 or muting relay is defective.
- * **No:** IC105 is defective.

7. The Tonearm Moves Left-Ward Upon Up and Down Actions

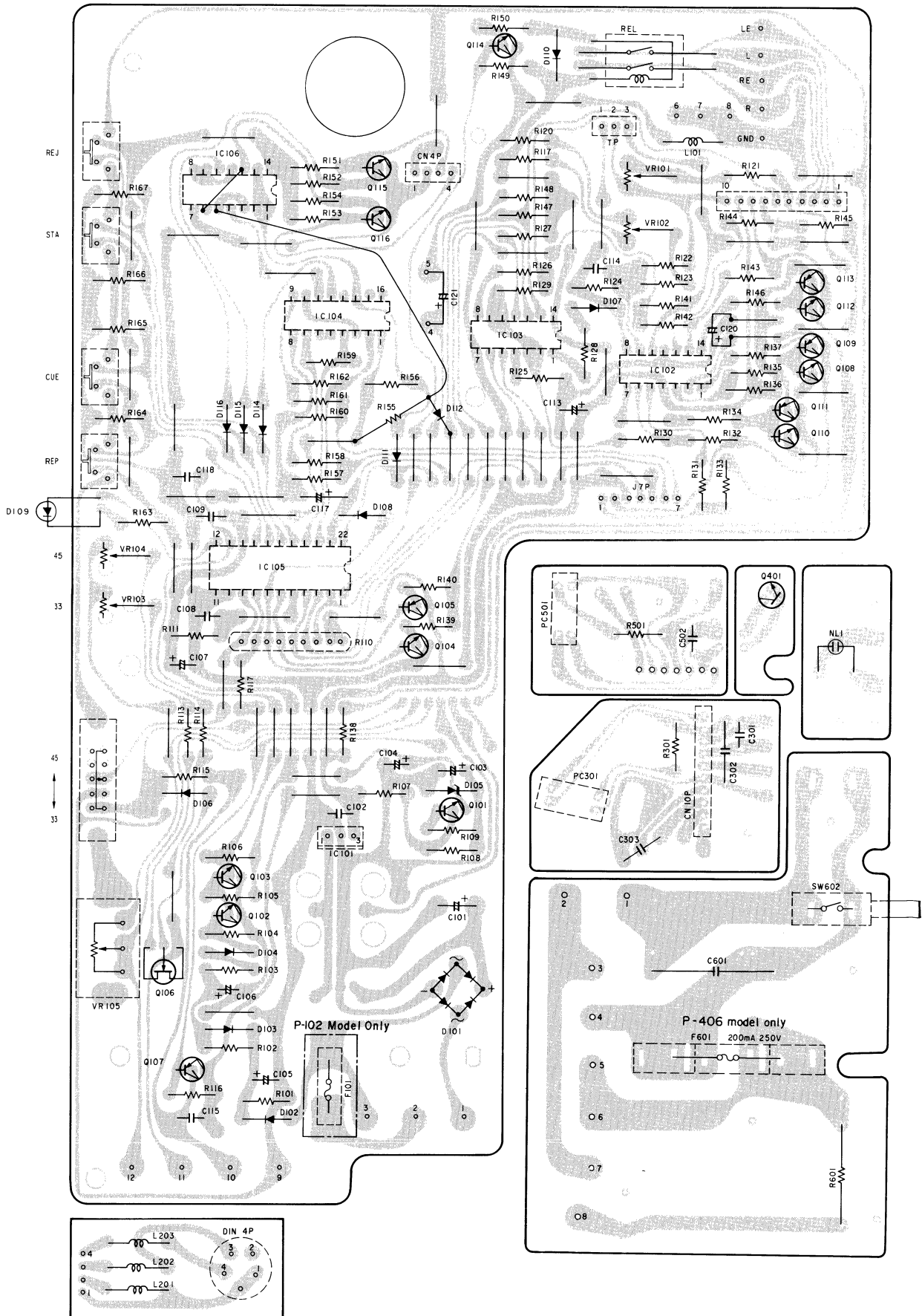
Apply Adjustment 3., 4. and 5 (page 8 and 9).

8. The Stylus Kicks The Record Upon Its Up Action

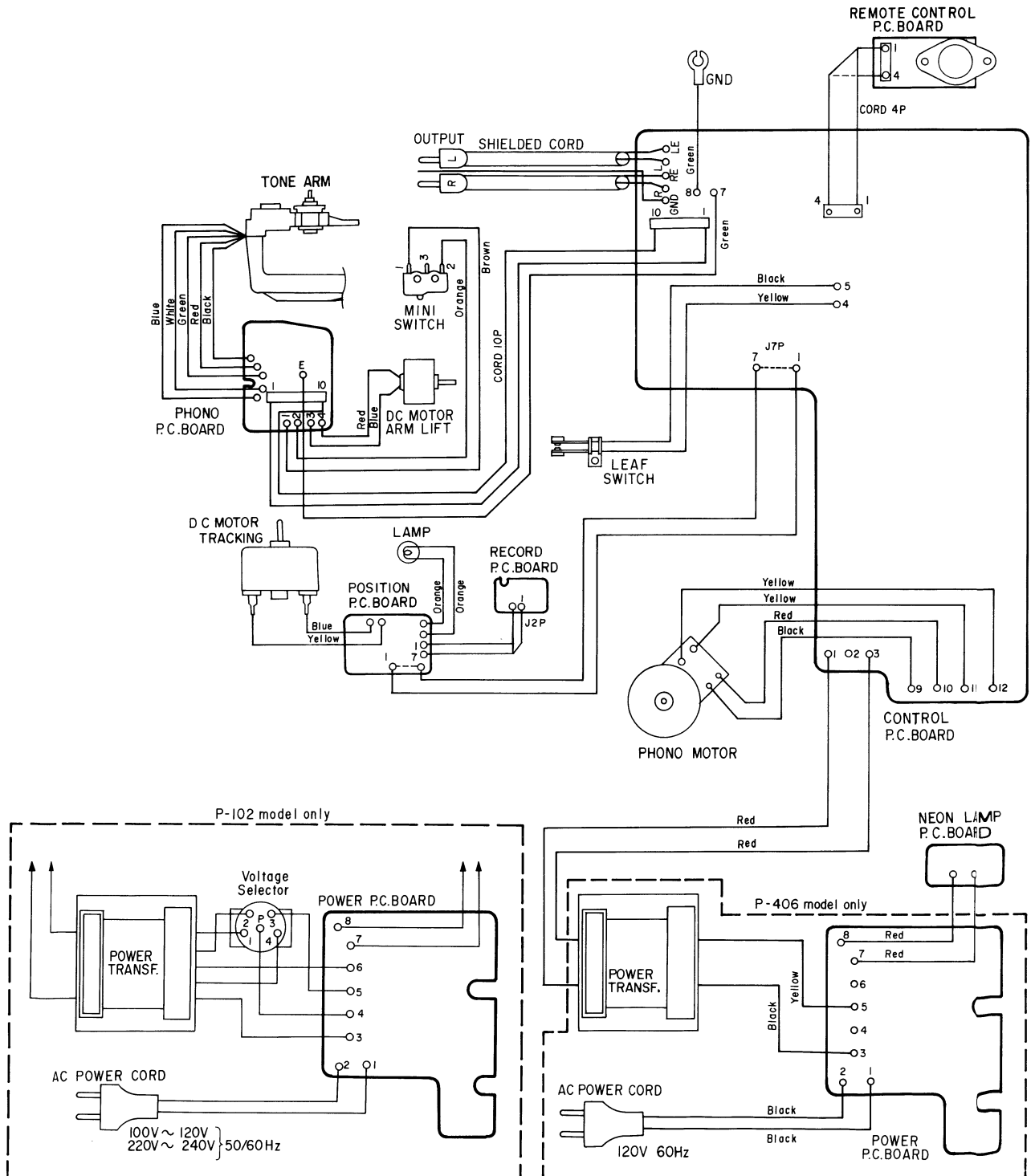
Apply Adjustments 3., 4. and 5 (page 8 and 9).

Note: The extent up to 0.2 mm fall within the specification settled. If the pitch of the record groove increases, this figure tends to increase.

Parts Layout on P.C. Boards



Wiring Diagram



Electrical Parts List

Resistors: Carbon resistors under ¼ watts are not mentioned in the parts list, please confirm them by schematic diagram.
 uF = microfarads, pF = picofarads

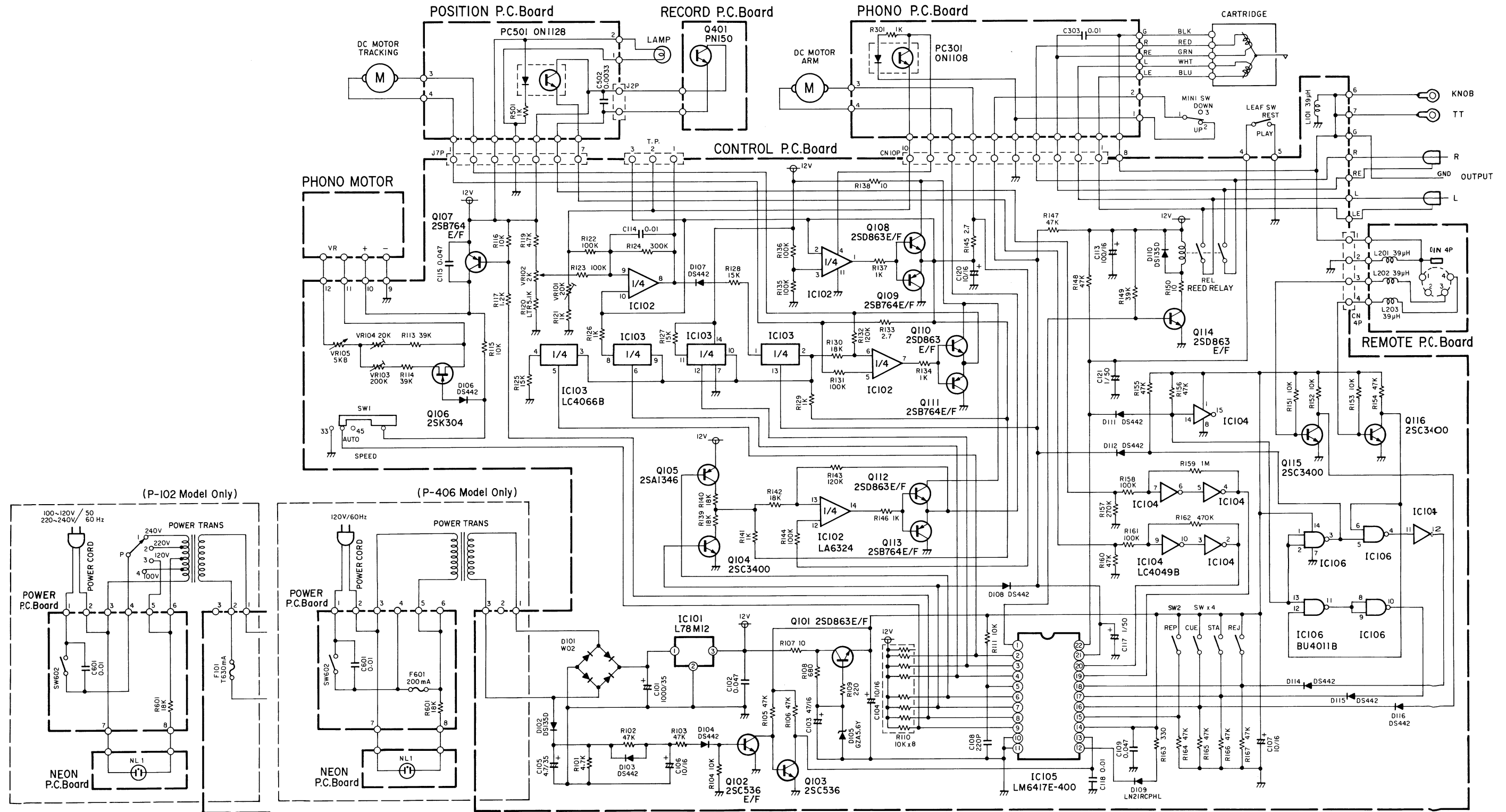
Symbol No.	Part No.	Description
ICs		
IC101	51T53320F01	L78M12 (or NJM78M12)
IC102	51E02052S01	LA6324 (or NJM2902, or LM324)
IC103	51T60576F01	LC4066B (or CD4066BC, or MB84066B)
IC104	51E02053S01	LC4049B (or CD4049BC, or MB84049B)
IC105	51E02054S01	LM6417E-400
IC106	51E02055S01	LC4011B
Transistors		
Q101	48E02047S01	2SD863
Q102	48T47143F02	2SC536
Q103	48T47143F02	2SC536
Q104	48E02046S01	2SC3400
or	48T70462F01	UN4212
Q105	48E02049S01	2SA1346
or	48E02050S01	UN4112
Q106	48E02051S01	2SK304F
Q107	48E02048S01	2SB764
Q108	48E02047S01	2SD863
Q109	48E02048S01	2SB764
Q110	48E02047S01	2SD863
Q111	48E02048S01	2SB764
Q112	48E02047S01	2SD863
Q113	48E02048S01	2SB764
Q114	48E02047S01	2SD863
Q115	48E02046S01	2SC3400
or	48T70462F01	UN4212
Q116	48E02046S01	2SC3400
or	48T70462F01	UN4212
Q401	48E02009S01	PN150
PC301	48E02008S01	PCR ON1108
PC501	48E02008S02	PCR ON1128

Symbol No.	Part No.	Description
Diodes/Fuse		
D101	48E01576S01	Bridge, W02
D102	48T44992F01	DS135D
D103	48T51305F01	DS442
D104	48T51305F01	DS442
D105	48E02045S01	Zener, GZA5.6Y
D106	48T51305F01	DS442
D107	48T51305F01	DS442
D108	48T51305F01	DS442
D109	48E02004S01	LED, LN21RCPHL
D110	48T44992F01	DS135D
D111	48T51305F01	DS442
D112	48T51305F01	DS442
D114	48T51305F01	DS442
D115	48T51305F01	DS442
D116	48T51305F01	DS442
● F601		Fuse, T 630mA
■ F601		Fuse, T 630mA
□ F601		Fuse, 200mA
Coils/Relay		
REL	80E02001S01	Relay Reed
L101	24E02007S01	39 μ H
L201	24E02007S01	39 μ H
L202	24E02007S01	39 μ H
L203	24E02007S01	39 μ H
Switches/Plugs/Neon Lamp		
SW1	40E01996S01	Switch, Speed
SW2	40E01997S01	Switch, Rep./Cue/Play/Sta
SW602	40E01998S01	Switch, Power
TP	28E02000S01	3P
CN4P	28E02000S02	4P
NL1	65E02013S01	Neon Lamp
Capacitors		
C101	23E02056S01	CDV 1000 μ F/35V
C102	23E02057S01	CC 0.047 μ F/50V
C103	23E02056S02	CDV 47 μ F/16V
C104	23E02056S03	CDV 10 μ F/16V
C105	23E02056S04	CDV 4.7 μ F/35V

Note : ● : For North American model (P-406) only (UC), □ : For West Germany model (P-102) only (AD),
 ■ : For North American model (P-102) only (UC), Others : Common

Symbol No.	Part No.	Description	Symbol No.	Part No.	Description
C106	23E02056S03	CDV 10 μ F / 16V			
C107	23E02056S03	CDV 10 μ F / 16V			
C108	23E02057S02	CC 220pF / 50V			
C109	23E02057S01	CC 0.047 μ F / 50V			
C113	23E02056S05	CD 100 μ F / 16V			
C114	23E02057S03	CC 0.01 μ F / 50V			
C115	23E02057S01	CC 0.047 μ F / 50V			
C117	23E02057S01	CC 1 μ F / 50V			
C118	23E02056S05	CC 0.01 μ F / 50V			
C120	23E02056S03	CDV 10 μ F / 16V			
C121		CDV 1 μ F / 16V			
C303	23E02057S05	CC 0.01 μ F / 50V			
C502	23E02057S06	CC 0.0033 μ F / 50V			
C601	08T42629F17	Mylar 0.01 μ F			
Resistors					
VR101	18E02002S01	Semi fixed 20Kohm			
VR102	18E02002S02	Semi fixed 2Kohm			
VR103	18E02002S01	Semi fixed 20Kohm			
VR104	18E02002S03	Semi fixed 200Kohm			
VR105	18E02003S01	Variable 5Kohm - B			
R601	18E02010S01	RH 18Kohm 1W J			

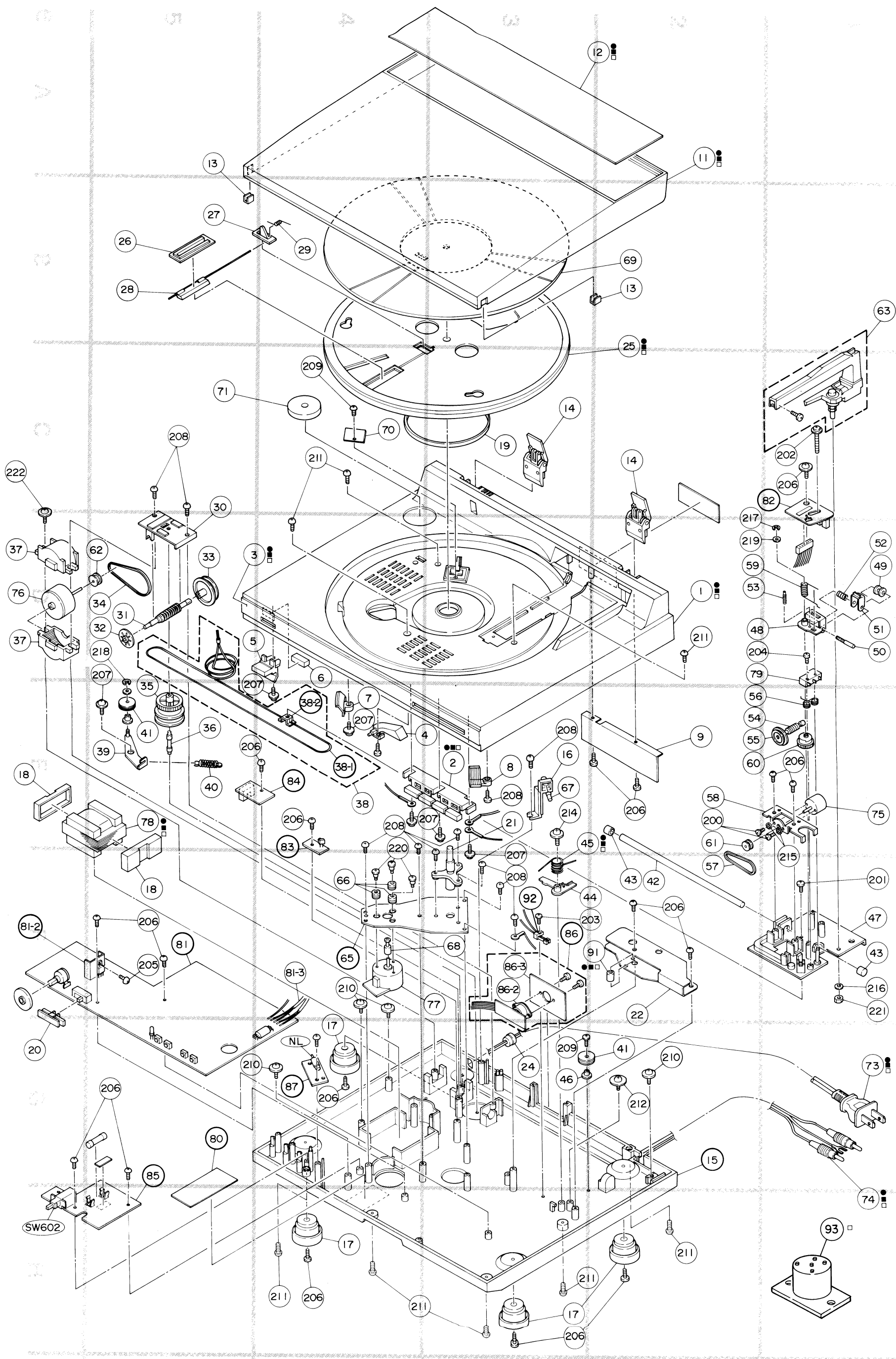
Schematic Diagram



NOTES:

1. All resistance values are in ohms. K = 1,000
2. All capacitance values are in microfarads. P = $\frac{1}{1,000,000}$

Exploded View (Cabinet)



P-406/P-102 P-406/P-102

Cabinet Assembly Parts List

NOTE: The parts without part numbers are not supplied.

Symbol No.	Index	Part No.	Description
●	1	2-D 16E01909S01	Cabinet, Top
■	1	2-D 16E02274S01	Cabinet, Top
□	1	2-D 16E02274S01	Cabinet, Top
●	2	3-E 36E01910S01	Knob, Play/Stop/Cue/Rept
■	2	3-E 36E02178S01	Knob, Play/Stop/Cue/Rept
□	2	3-E 36E02178S01	Knob, Play/Stop/Cue/Rept
●	3	4-D 64E01914S01	Panel, Control
■	3	4-D 64E02183S01	Panel, Control
□	3	4-D 64E02183S01	Panel, Control
	4	3-E 34E01916S01	Indicator
	5	4-D 36E01911S01	Knob, Power
	6	4-E 75E01917S01	Cushion
	7	4-E 61E01847S01	Filter, strobo
	8	3-E 61E01848S01	Filter, Size Lamp
	9	2-E 09E01921S01	Plate
●	11	2-A 15E01594S01	Dust Cover
■	11	2-A 15E02179S01	Dust Cover
□	11	2-A 15E02179S01	Dust Cover
●	12	2-A 64E01915S01	Panel, Dust Cover
■	12	2-A 64E02180S01	Panel, Dust Cover
□	12	2-A 64E02180S01	Panel, Dust Cover
	13	43E00680S01	Pad, Dust Cover
	14	07E01595S01	Hinge
	16	3-E 07E01932S01	Holder
	17	75E01939S01	Leg
	18	75E01918S01	Cushion
	19	3-C 42E01596S01	Rubber Belt
	20	6-G 36E01912S01	Knob, Speed Select
	21	3-E 47E01937S01	T.T. Shaft
	22	2-G 45E01940S01	Guide
	24	3-G 43E01649S01	Bushing
●	25	2-C 75E01943S01	Turntable Platter
■	25	2-C 75E02184S01	Turntable Platter
□	25	2-C 75E02184S01	Turntable Platter
	26	5-B 07E01933S01	Holder (A)
	27	5-B 07E01934S01	Holder (B)
	28	5-B 45E01944S01	Lever
	29	4-B 41E01945S01	Spring
	30	5-D 43E01952S01	Assembly, Bearing
	31	5-D 44E01953S01	Worm Gear

Symbol No.	Index	Part No.	Description
	32	5-D 44E01955S01	Encoder
	33	5-D 49E01956S01	Pulley
	34	5-D 42E01962S01	Rubber Belt
	35	5-E 49E01963S01	Wheel
	36	5-E 47E01938S01	Shaft
	37	6-D 15E01930S01	Cover, Motor
	38	4-E 30E01964S01	Assembly, Wire
	39	5-E 09E01922S01	Assembly, Plate
	40	5-E 41E01946S01	Spring
	41	49E01957S01	Pulley
	42	2-F 45E01967S01	Pipe
	43	75E01919S01	Cushion
	44	3-F 45E01968S01	Arm
	45	3-F 41E01947S01	Spring
	45	3-F 41E02185S01	Spring
	45	3-F 41E02185S01	Spring
	46	3-G 43E01969S01	Spacer
	47	1-F 09E01923S01	Assembly, Plate
●	48	2-D 01E01973S01	Assembly, Lift Angle
■	49	1-D 45E01942S01	Guide
□	50	1-D 03E01974S01	Screw
	51	1-D 61E01978S01	Protector
	52	1-D 41E01948S01	Spring
	53	2-D 03E01975S01	Screw
	54	2-E 44E01954S01	Worm Gear
	55	2-E 49E01958S01	Pulley
	56	2-E 41E01949S01	Spring
	57	2-F 42E01597S01	Rubber Belt
	58	2-E 59E01979S01	Mount, Motor
	59	2-D 41E01950S01	Spring
	60	2-E 45E01983S01	Cam
	61	2-F 49E01959S01	Pulley, Lift Motor
	62	5-D 49E01960S01	Pully, Track Motor
	63	1-B 01E01984S01	Assembly, Tonearm
	66	4-F 75E01810S01	Rubber Cushion
	67	3-E 65E01985S01	Lamp
	68	3-F 49E01961S01	Pulley, Phono Motor
	69	2-B 75E01986S01	Turntable Sheet
	70	4-C 75E01987S01	Sheet
	71	5-C 45E01990S01	45 rpm Adapter

Note : ● : For North American model (P-406) only (UC), □ : For West Germany model (P-102) only (AD),

■ : For North American model (P-102) only (UC), Others : Common

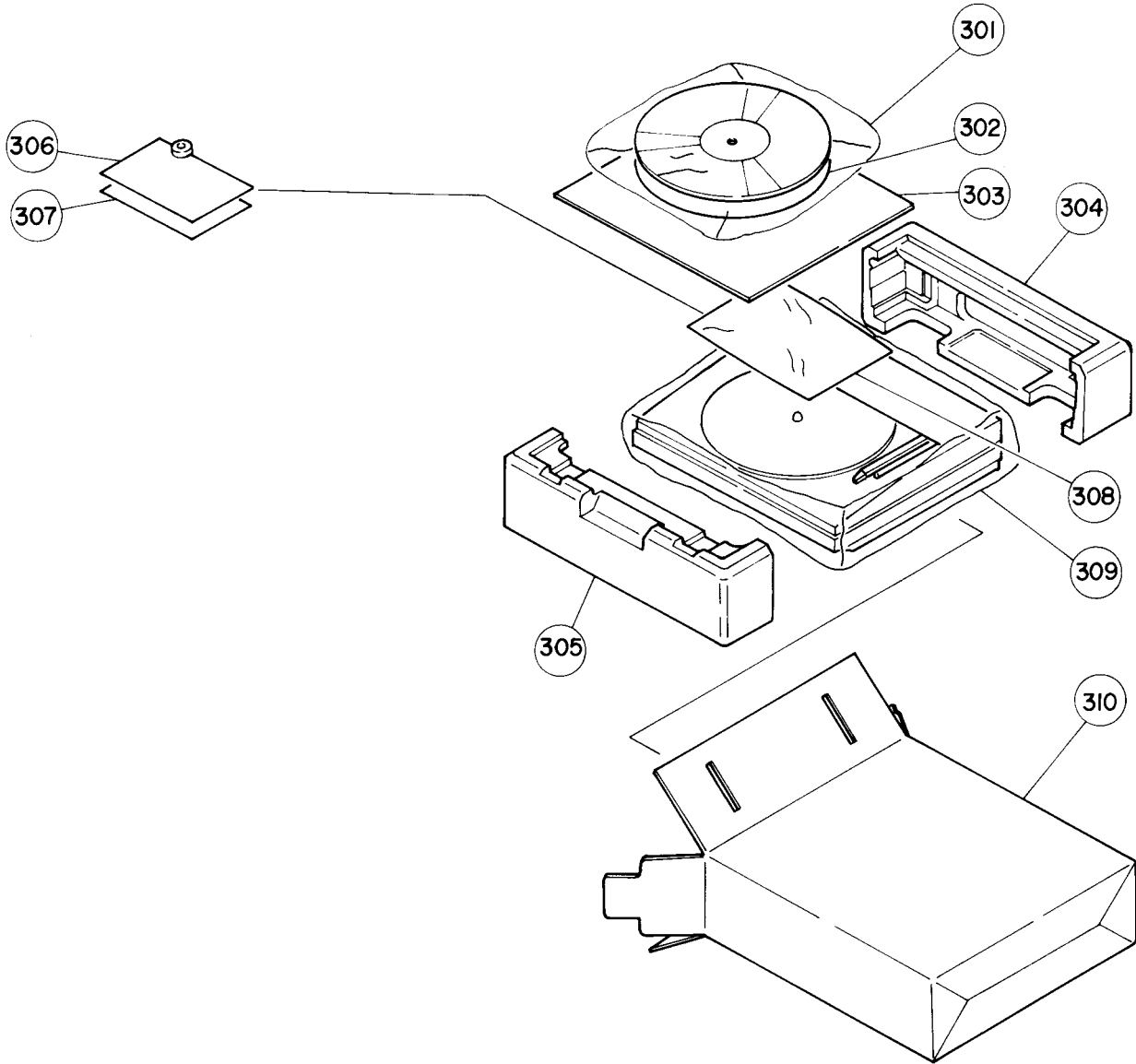
NOTE: The parts without part numbers are not supplied.

Symbol No.	Index	Part No.	Description
●	73	1-G 30E01991S01	Power Cord
■	73	1-G 30E01991S01	Power Cord
□	73	1-G 28E02188S01	Power Cord
●	74	1-H 30E01992S01	Assembly, Wire Shield
■	74	1-H 30E02186S01	Wire Shield
□	74	1-H 30E02187S01	Wire Shield
●	75	1-E 59E01980S01	Motor, Lifter
■	76	6-D 59E01981S01	Motor, Tracking
	77	3-F 59E01982S01	Motor, TT Drive
●	78	5-E 25E01994S01	Power Transformer
■	78	5-E 25E01994S01	Power Transformer
□	78	5-E 25E03502S01	Power Transformer
	79	2-E 40E01995S01	Switch, Lifting
81-3	4-F	30E01993S01	Assembly, Cord
86-2	3-F	09E02011S01	Socket, DIN (4P)
	86-3	3-F 07E02012S01	Metal, Mount
●	91	3-F 43E01971S01	Spacer
■	91	3-F 43E02189S01	Spacer
□	91	3-F	Spacer
	92	3-F 43E02189S01	Switch, Leaf
□	93	1-H 40E02193S01	Switch, Voltage Selector
200	2-E	03E02033S01	Pan Screw (M1.7×2.5)
201	1-F	03E02034S01	Pan Screw with Spring Washer (M3×6)
202	1-C	03E02035S01	Pan Screw with Plain Washer (M3×25)
203	3-F	03E02038S01	Tapping Screw B (M2×8)
204	2-D	03E02036S01	Tapping Screw B (M2.3×12)
205	5-F	03E02038S02	Tapping Screw B (M3×6)
206		03E02038S03	Tapping Screw B (M3×8)
207		03E02039S01	Tapping Screw B with Plain washer (M3×8)
208		03E02038S04	Tapping Screw B (M3×10)
209		03E02040S01	Tapping Screw (M3×10)
210		03E02039S05	Tapping Screw B with Plain Washer (M3×10)
211		03E02038S05	Tapping Screw B (M3×12)
212	2-G	03E02037S01	Tapping Screw B with Plain Washer (M3×12)
214	3-E	03E02039S02	Tapping Screw B with Plain Washer (M3×16)
215	1-F	04E02043S01	Spring Washer (M1.7)
216	1-F	04E02043S02	Spring Washer (M4)
217	2-D	04E02044S01	E Type Washer (M2)
218	5-D	04E02044S02	E Type Washer (M3)
219	2-D	04E02041S01	Plain Washer (M3.2)

Symbol No.	Index	Part No.	Description
220	4-F	03E01659S01	Special Screw (Motor, Clamp)
221	1-G	02E02042S01	Hexagon Nut (M4)
222	6-C	03E02039S03	Tapping Screw B with Plain Washer (M3×10)

Note : ● : For North American model (P-406) only (UC), □ : For West Germany model (P-102) only (AD), ■ : For North American model (P-102) only (UC), Others : Common

Packing Method View



Packing Assembly Parts List

Symbol No.	Part No.	Description	Symbol No.	Part No.	Description
	301	15E02023S01			Poly cover (turntable mat)
	302	56E01988S01			Sheet
	303	56E02019S01			Pad
	304	56E02018S01			Pad, rear
	305	56E02017S01			Pad, front
●	306	68E01599S01			Owner's manual
■	306	68E02182S01			Owner's manual
□	306	68E02190S01			Owner's manual
	307	68E02028S01			Safety instruction (UL)
	308	56E02024S01			Bag fan
	309	56E01989S01			Patching sheet (unit)
●	310	56E01602S01			Carton box
■	310	56E02181S01			Carton box
□	310	56E02181S01			Carton box

Note: ● : For North American model (P-406) only (UC), □ : For West Germany model (P-102) only (AD),
 ■ : For North American model (P-102) only (UC), Others : Common



LUX CORPORATION, JAPAN

1-1-8 Nishi Gotanda, Shinagawa-ku, Tokyo, 141 JAPAN
Phone: 03-494-1101 Telex: 8927-61