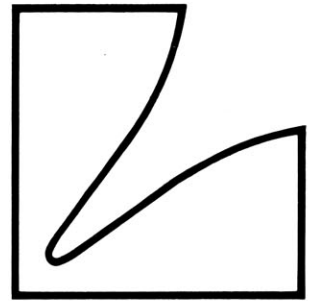


SERVICE MANUAL



Fully-Automatic Belt Drive Turntable

P-405/P-100



Contents

Specifications	2
Parts Layout on P.C. Board	3
Wiring Diagram	3
Schematic Diagram	4
Electrical Parts List	5
Cabinet Assembly Parts List	6 to 8
Exploded View (Cabinet)	9 to 10
Packing Method View	11
Packing Assembly Parts List	12

Specifications

TURNTABLE

Drive System	Belt Drive
Motor	FG Servo DC Motor
Platter	Aluminum Die-cast, 30 cm
Speeds	33 1/3, 45 rpm
Wow & Flutter	0.06% DIN Wtd.
Rumble	72 dB DIN-B Wtd.

TONEARM

Type	Straight-Line, Tubular, Staticbalanced Anti-Skating
Operation	Fully-Automatic
Effective Length	222 mm
Overhange	16.8 mm
Adjustable Tracking Force	0 – 2.5 g
Usable Cartridge Weight	4.0 – 8.5 g (With sub-cartridge weight)

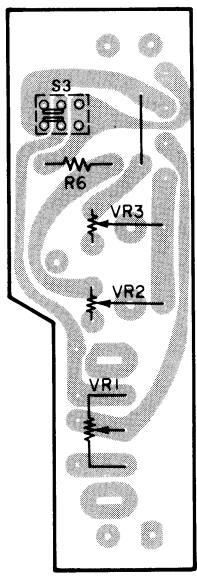
GENERAL

Power Source	120V, 60 Hz 220V, 50 Hz (AD model only)
Power Consumption	4W
Dimensions	416(W) x 120(H) x 376(D) mm (16.4 x 4.7 x 14.2 inches)
Weight	5.3 kg (11 lb. 11 oz.)

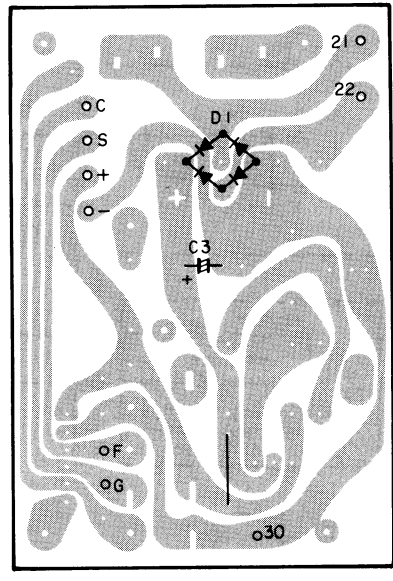
Note: Due to continuing product improvement, specifications and design are subject to change without notice.

Parts Layout on P.C. Boards

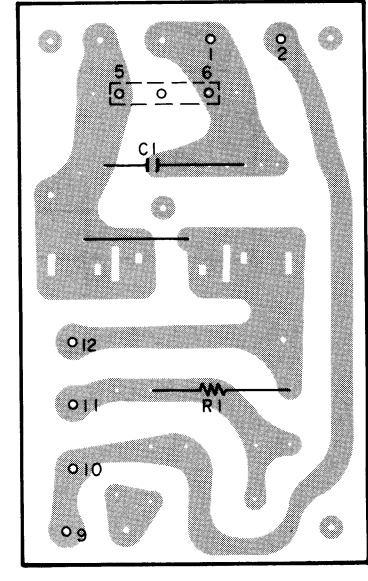
● Speed P.C. Board



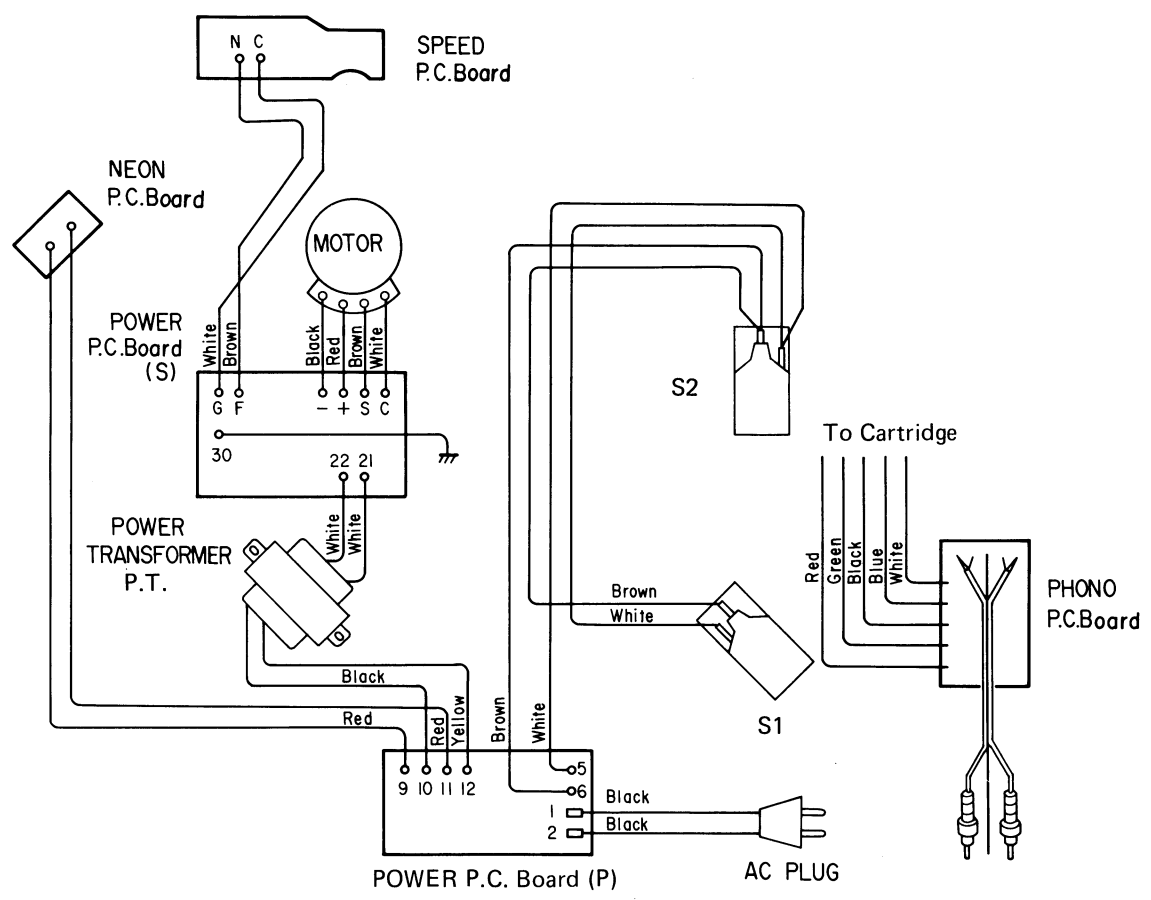
● Power P.C. Board (S)



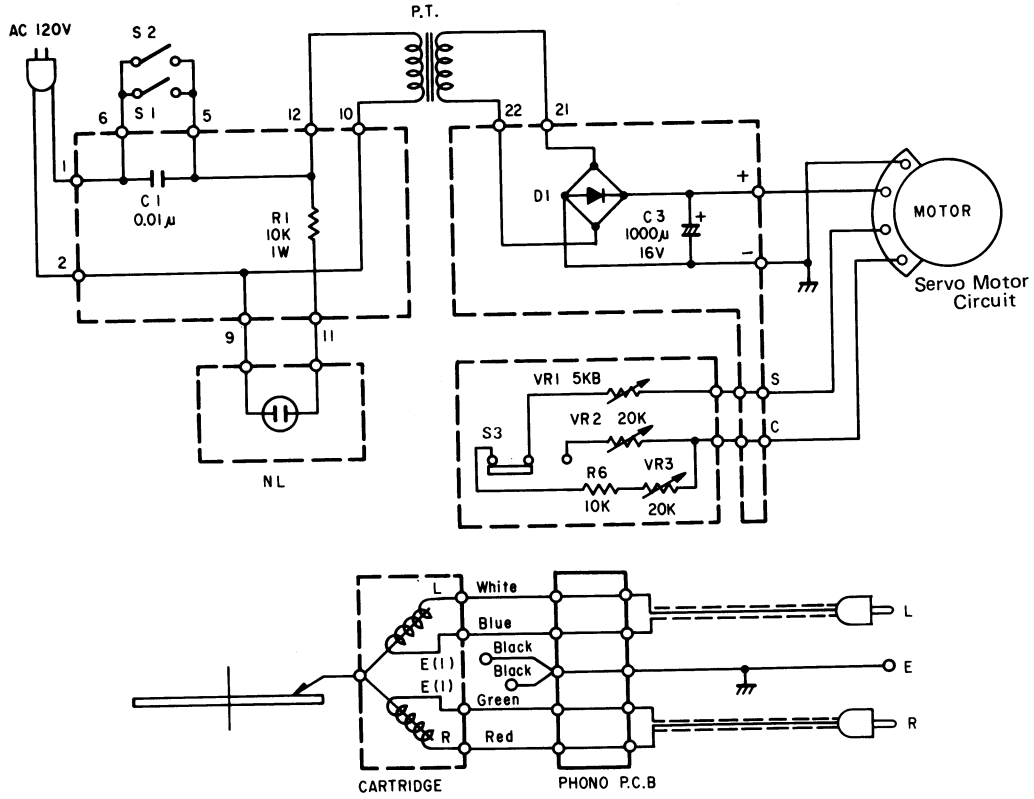
● Power P.C. Board (P)



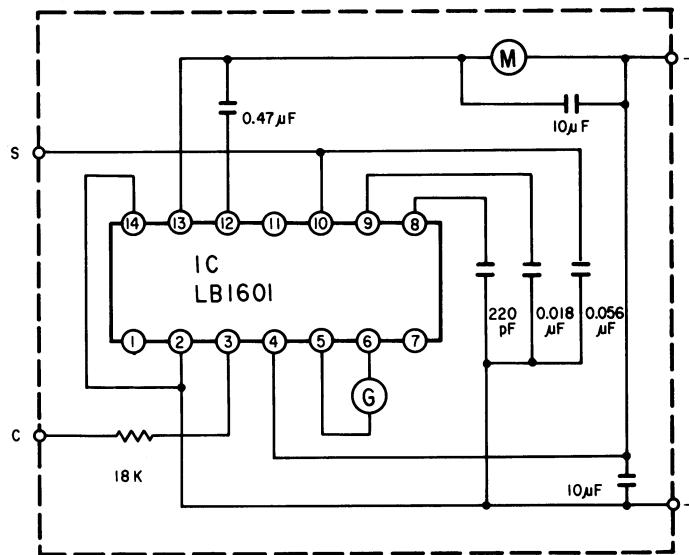
Wiring Diagram



Schematic Diagram



● Servo Controller Circuit



Cabinet Assembly Parts List

NOTE: The parts without part number are not supplied.

Symbol No.	Index	Part No.	Description
★	2	6-D 64E01528S01	Panel, Front
☆	2	6-D 64E02195S01	Panel, Front
★	3	5-C 36E01529S01	Knob, Cue/Repeat
☆	3	5-C 36E02168S01	Knob, Cue/Repeat
★	4	6-D 36E01530S01	Knob, Speed
☆	4	6-D 36E02169S01	Knob, Speed
★	5	5-D 36E01531S01	Knob, Size, Select
☆	5	5-D 36E02170S01	Knob, Size, Select
	6	5-D 41E01532S01	Spring
	7	3-E 07E01533S01	Hinge
	8	4-E 07E01534S01	Hinge
	10	5-F 45E01535S01	Arm
	11	5-F 45E01536S01	Arm
	12	5-E 45E01537S01	Arm
	13		47E01648S01 Shaft
	14		40E01538S01 Switch, Push 1 Key (0)
	15		22E01539S01 Pin
★	16	5-D 36E01540S01	Knob, Pitch Control
☆	16	5-D 36E02171S01	Knob, Pitch, Control
★	18	4-A 15E00679S01	Cover, Dust
☆	18	4-A 15E02174S01	Cover, Dust
★	19	5-D 36E01541S01	Knob, Start/Stop
☆	19	5-D 36E02172S01	Knob, Start/Stop
	20		43E00680S01 Pad, Lid
	21	2-A 07E01397S01	Hinge, Dust Cover
	24	6-A 43E01651S01	Bushing
●	25	5-B 43E01649S01	Bushing, AC Cord
▲	25	5-B 43E01650S01	Bushing, AC Cord
□	25	5-B 43E02270S01	Bushing, AC Cord
■	25	5-B 43E01649S01	Bushing, AC Cord
	26	1-H 75E01542S01	Leg
	27	1-H 75E01543S01	Cushion
	28	1-H 41E01544S01	Spring, Mounting
	29	1-H 75E01545S01	Cushion
	30	4-B 61E01546S01	Filter
	31	4-E 41E01547S01	Spring
	32	2-C 45E00685S01	Assembly, Arm Rest
★	34	1-C 01E01548S01	Base, Pick Up
☆	34	1-C 01E02196S01	Base, Pick Up
★	35	2-C 45E01549S01	Arm Rest
☆	35	2-C 45E02175S01	Arm Rest

Symbol No.	Index	Part No.	Description
★	36	4-C 75E01550S01	Turntable Platter
☆	36	4-C 75E02197S01	Turntable Platter
	37	1-A 45E01551S01	Support, Arm
	38	1-A 75E01552S01	Cushion
	39	1-B 47E01553S01	Spindle, Lifting
	40	1-B 03E01554S01	Screw
	41	2-C 41E01556S01	Spring
	42	1-B 45E01557S01	Actuator
★	43	1-B 36E01558S01	Knob, IFC
☆	43	1-B 36E02173S01	Knob, IFC
	44	1-C 07E01559S01	Holder
	45	2-F 45E01652S01	Arm
	46		03E01658S01 Screw
	47	4-E 47E01663S01	Rod
	48	2-F 41E01669S01	Spring
	49	4-C 75E01810S01	Rubber Cushion
	50	4-C 03E01659F01	Screw
	51	2-E 07E01811S01	Angle Mount
	52	4-F 01E01812S01	Assembly, Lever Set
	53	4-F 37E01816S01	UL Tube
	54	4-F 47E01817S01	Shaft
	55	4-F 41E01670S01	Spring
	56	2-G 01E01813S01	Assembly, Lever Set
	57	3-G 03E01660S01	Screw
	58		04E01819S01 Wave Washer
	59	3-F 01E01814S01	Assembly, Lever Set
	60		45E01822S01 Cam
	61	3-F 43E01830S01	Spacer
	62	2-G 03E01661S01	Screw
	63	3-G 33E01824S01	Plate
	64	6-G 45E01560S01	Assembly, Cam Drive
★	65	5-F 43E01561S01	Collar
☆	65	5-F 04E02271S01	Washer (M3.2)
	66	6-G 22E01829S01	Pin
	67	6-G 44E01562S01	Gear, Cycling
	68	5-F 45E01564F01	Trip
	69	5-F 45E01564S01	Trip
	70	6-G 41E01670S01	Spring
	72	1-E 01E01815S01	Assembly, Lever Set
	73	1-E 47E01654S01	Shaft
	74	1-D 08E01831S01	Cap, Lifter

Note: ★ : For P-405 model only [▲ : For Canadian model only (UQ) ☆ : For P-100 model only [■ : For North American model only (UC) ● : For North American model only (UC) □ : For West Germany model only (AD)

NOTE: The parts without part number are not supplied.

Symbol No.	Index	Part No.	Description
75	2-D	47E01655S01	Shaft
76	1-E	41E01671S01	Spring
77	1-D	43E01832S01	Bearing
78	2-E	47E01656S01	Shaft
79	1-E	47E01657S01	Shaft
80	1-D	41E01672S01	Spring
81	3-G	04E01820S01	Washer
82	3-F	33E01825S01	Plate
83	4-F	47E01664S01	Rod
84	3-G	47E01665S01	Rod
85	3-G	59E01833S01	Magnet
86	3-F	75E01834S01	Cushion
87	1-G	33E01826S01	Assembly, PU Fix Plate
88	1-F	45E01823S01	Cam
89	1-F	41E01673S01	Spring
90		03E01662S01	Screw (M4 x 5)
91	2-G	33E01827S01	Plate
92	2-F	41E01674S01	Spring
93	4-G	47E01666S01	Rod
94		47E01667S01	Rod
95	5-H	47E01668S01	Rod
96		41E01675S01	Spring
97	3-E	45E01836S01	Lever
98	5-G	45E01837S01	Lever
99	5-H	41E01676S01	Spring
100	1-F	45E01838S01	Arm
101		01E01565S01	Assembly, Tone Arm
101-1	2-B	45E01839S01	Assembly, Arm
101-2	2-B	01E00819S02	Assembly, Head Shell
101-3	1-B	01E01468S01	Assembly, Weight
107	2-F	02E01840S01	Nut (M12)
109	2-F	04E01821S01	Washer (ϕ 12)
110		75E01835S01	Cushion
★	5-A	30E01566S01	Assembly, Shield Wire
□	5-A	30E02198S01	Assembly, Shield Wire
■	5-A	30E01566S01	Assembly, Shield Wire
★	5-C	01E01841S01	Assembly, Cord
□	5-C	30E2199S01	Assembly, Cord
■	5-C	01E01841S01	Assembly, Cord
113	4-G	40E01567S01	Switch, Micro
114	2-G	40E01568S01	Switch, Micro
●	5-A	28E01569S01	Power Cord
▲	5-A	28E01843S01	Power Cord
□	5-A	28E02200S01	Power Cord
■	5-A	28E01569S01	Power Cord
116	4-E	59E01570S01	Motor

Symbol No.	Index	Part No.	Description	
★	117	6-B	25E01571S01	Power Trans
□	117	6-B	25E02201S01	Power Trans
■	117	6-B	25E01571S01	Power Trans
118	1-E	15E01844S01	Cover, Shield	
119	1-E	41E01845S01	P.C. Board	
★	121	4-C	65E01572S01	Neon Lamp
□	121	4-C	65E02202S01	Neon Lamp
■	121	4-C	65E01572S01	Neon Lamp
123	5-B	09E01573S01	Plug, 3P	
125	6-C	01E01842S01	Assembly, Cord	
128	4-C	42E01582S01	Belt	
129	3-E	47E01818S01	Assembly, Shaft T.T.	
130	4-E	49E01583S01	Pulley, Motor	
★	131	4-B	75E01398S01	Turntable Sheet
□	131	4-B	75E2211S01	Turntable Sheet
■	131	4-B	75E01398S01	Turntable Sheet
132	2-C	45E01584S01	45 rpm Adapter	
★	133	6-C	64E01586S01	Panel, Control
☆	133	6-C	64E02209S01	Panel, Control
134	4-D	33E01828S01	Plate	
135	1-C	75E01849S01	Pad	
201	1-D	03E01853S01	Brazier Head Tapping Screw (ϕ 2.6 x 6)	
202		03E01854S01	Brazier Head Tapping Screw B (ϕ 3 x 6)	
203		03E01855S01	Brazier Head Tapping Screw B (ϕ 3 x 8)	
204		03E01856S01	Brazier Head Tapping Screw B (ϕ 3 x 10)	
205	6-C	03E01857S01	Brazier Head Tapping Screw B (ϕ 3 x 12)	
206	2-C	03E01858S01	Brazier Head Tapping Screw B (ϕ 3 x 12)	
207	1-H	03E01585S01	Brazier Head Tapping Screw B (ϕ 3 x 16)	
208	4-D	03E01875S01	Brazier Head Tapping Screw B with Plain Washer (ϕ 3 x 8)	
209	2-D	03E01876S01	Brazier Head Tapping Screw B with Plain Washer (ϕ 3 x 10)	
210	5-E	03E01877S01	Brazier Head Tapping Screw B with Plain Washer (ϕ 3 x 12)	
211		03E01859S01	Brazier Head Tapping Screw B (ϕ 2.6 x 6)	
212	1-G	03E01860S01	Pan Head Screw (M3 x 4)	

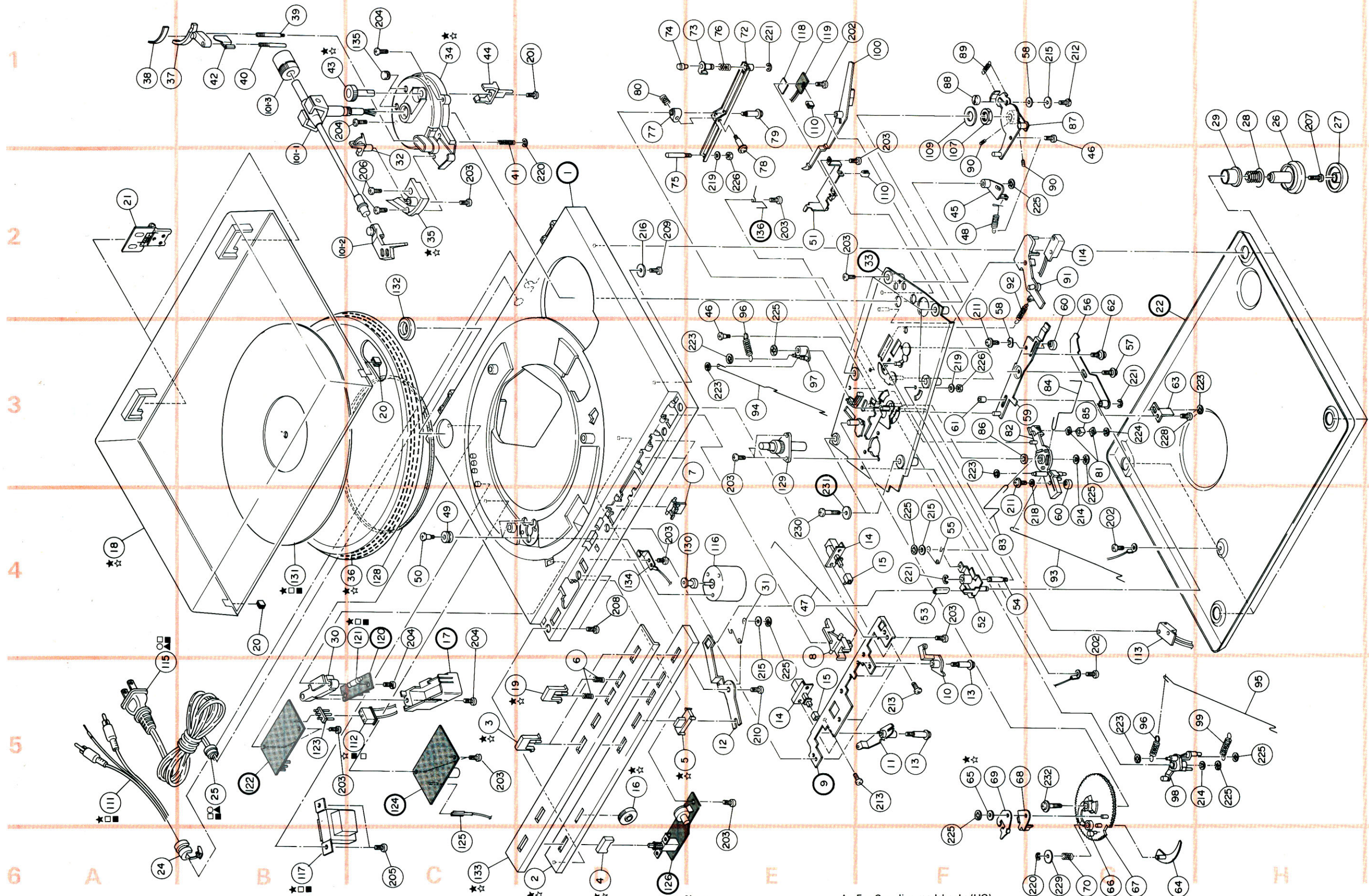
Note: ★ : For P-405 model only □ : For Canadian model only (UQ) ☆ : For P-100 model only ■ : For North American model only (UC)
 ● : For North American model only (UC) ▲ : For West Germany model only (AD)

NOTE: The parts without part number are not supplied.

Symbol No.	Index	Part No.	Description
213		03E01878S01	Pan Head Screw with Spring Washer (M3 x 6)
214	5-H	04E01862S01	Plain Washer ($\phi 3.2$)
215		04E01863S01	Plain Washer ($\phi 3.2$)
216	2-D	04E01864S01	Plain Washer ($\phi 3.2$)
218	4-G	04E01866S01	Spring Washer ($\phi 2.6$)
219		04E01867S01	Spring Washer ($\phi 3$)
220		04E01868S01	E Type Washer ($\phi 2$)
221		04E01869S01	E Type Washer ($\phi 3$)
223		46E01870S01	Stop Ring ($\phi 2$)
224	3-G	46E01871S01	Stop Ring ($\phi 2.4$)
225		46E01873S01	Stop Ring ($\phi 3$)
226		02E01874S01	Hexagon Nut (M3)
228	3-G	03E01879S01	Pan Head Tapping Screw with Spring Washer ($\phi 3 \times 10$)
229	6-G	04E01865S01	Plain Washer ($\phi 3.2$)
230	4-E	03E01861S01	Pan Head Tapping Screw B ($\phi 3 \times 4$)

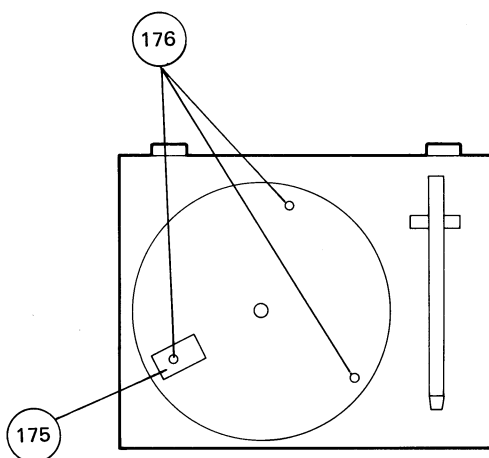
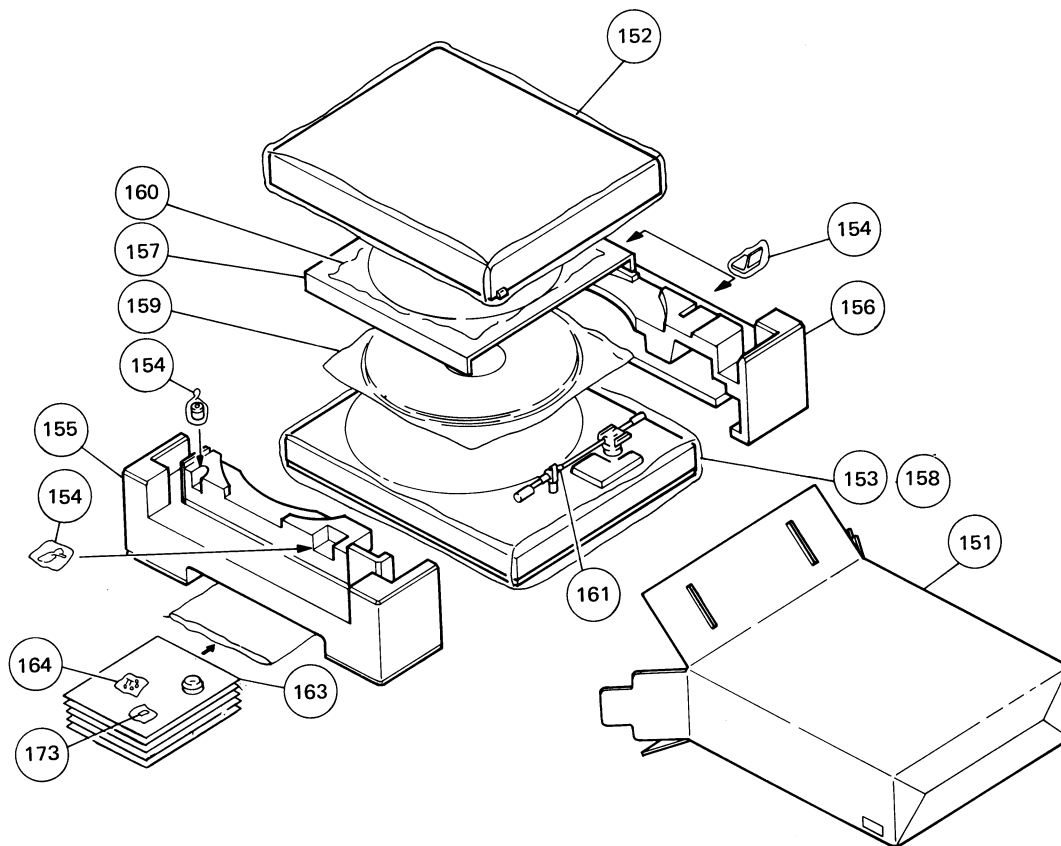
Symbol No.	Part No.	Description

Exploded View (Cabinet)



Note: ★ : For P-405 model only ▲ : For Canadian model only (UQ)
 ● : For North American model only (UC)
 ☆ : For P-100 model only ■ : For North American model only (UC)
 □ : For West Germany model only (AD)

Packing Method View



Packing Assembly Parts List

NOTE: The parts without part number are not supplied.

Symbol No.	Part No.	Description
★	151	56E01509S01 Box, Corrugate
☆	151	56E02176S01 Box, Corrugate
	152	56E02088S01 Sack Polyethylene
	153	56E02088S02 Sack Polyethylene
	154	56E02088S03 Sack Polyethylene
	155	56E02090S01 Pad, Front
	156	56E02091S01 Pad, Rear
	157	56E02092S01 Pad
	158	56E02094S01 Patching Sheet
	159	56E02089S01 Sack Polyethylene
	160	56E02089S02 Sack Polyethylene
	161	56E02093S01 Pad
●	163	68E01555S01 Owner's Manual
▲	163	68E02095S01 Owner's Manual
□	163	68E02210S01 Owner's Manual
■	163	68E02177S01 Owner's Manual
	164	01E02096S01 Set Screws
	173	88E02097S01 Head, Weight
	175	54E02098S01 Note (Clamp Caution)
	176	03E02099S01 Screw, Transit

Symbol No.	Part No.	Description

Note: ★ : For P-405 model only ▲ : For Canadian model only (UQ) ☆ : For P-100 model only ■ : For North American model only (UC)
 ● : For North American model only (UC) □ : For West Germany model only (AD)



LUX CORPORATION, JAPAN

2-3, 1-Chome, Minami-Yukigaya, Ohta-ku, Tokyo 145, JAPAN

Phone: 03-726-6211 Telex: 2466953LUXMAN Facsimile: 03-728-7609