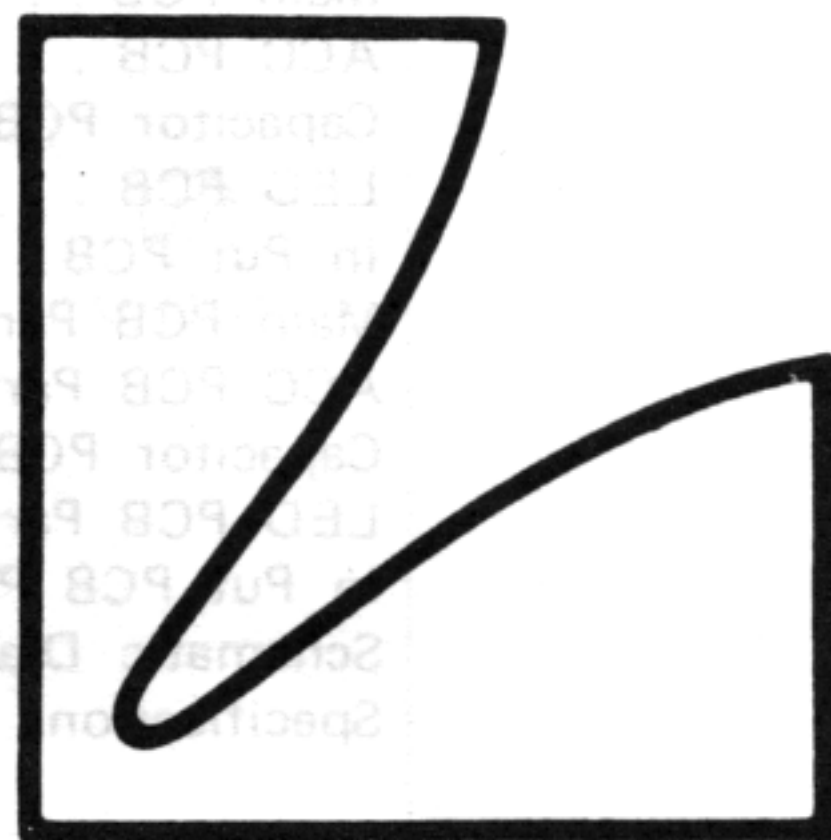


MX-100

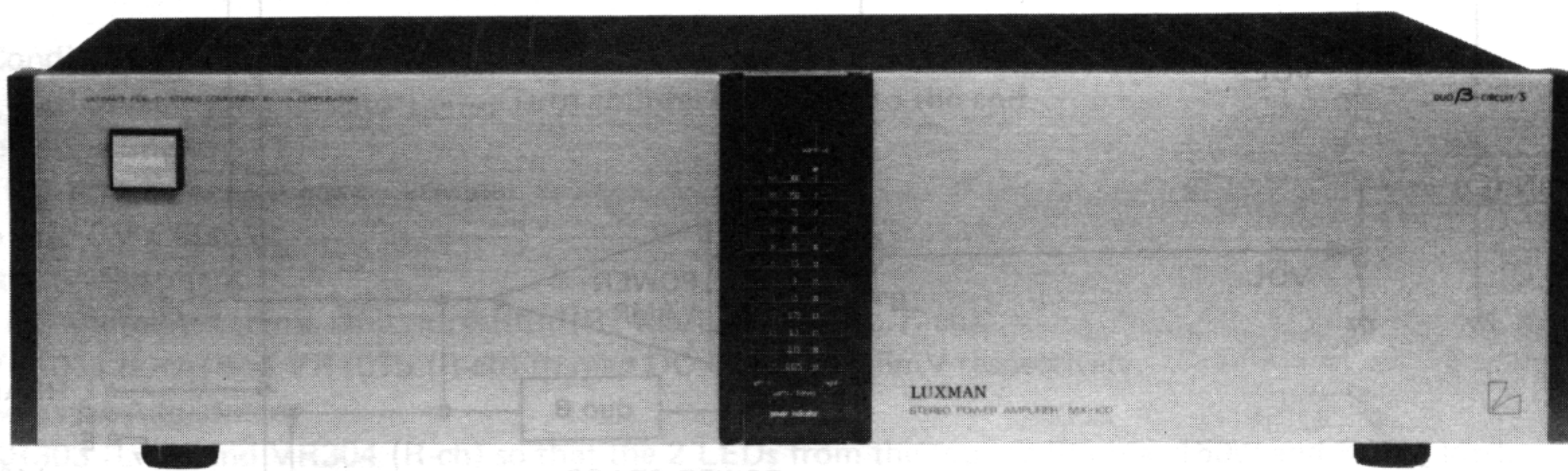
MX-100

SERVICE MANUAL



Duo-Beta/S 140W/channel Power Amplifier

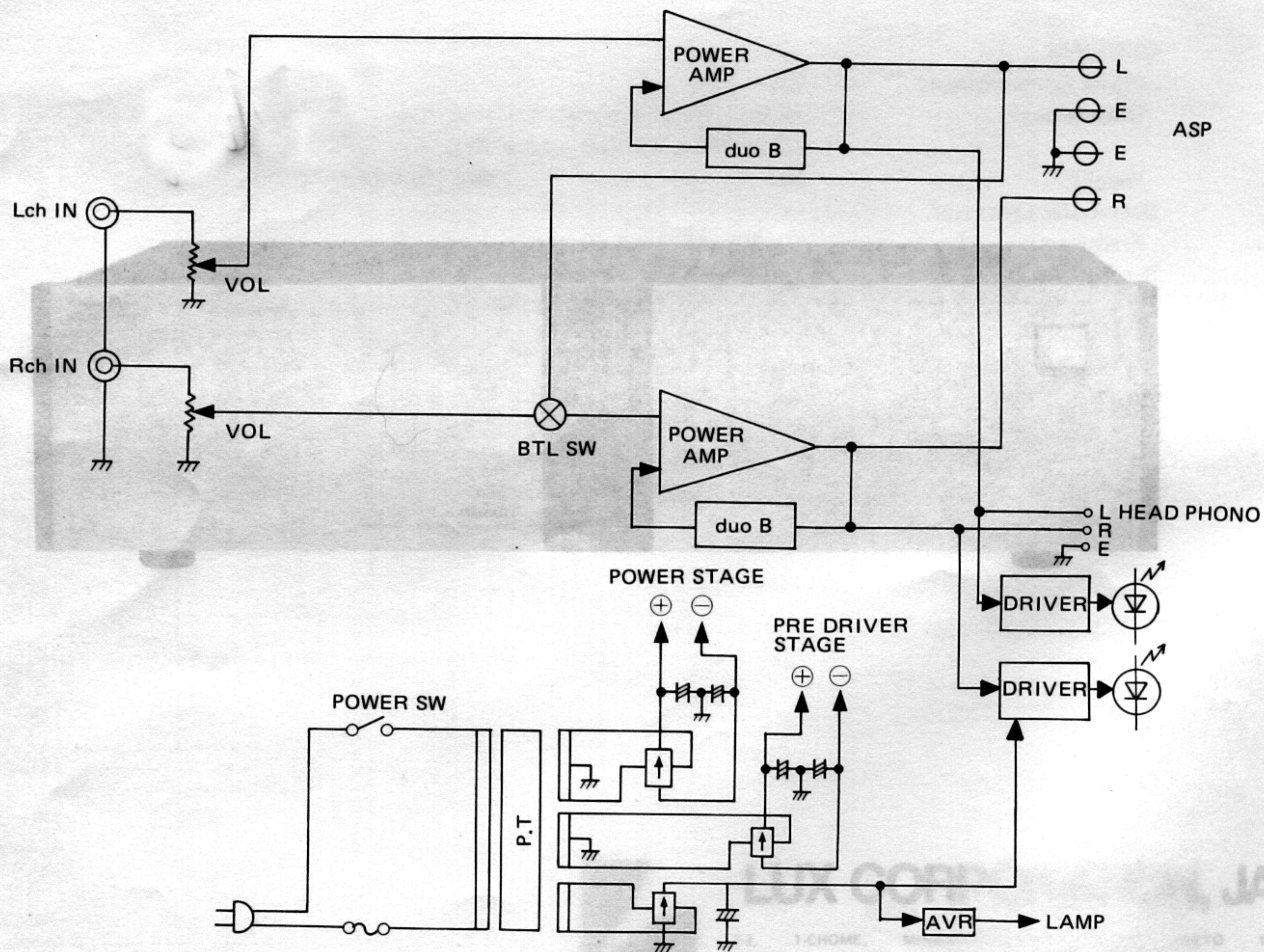
MX-100



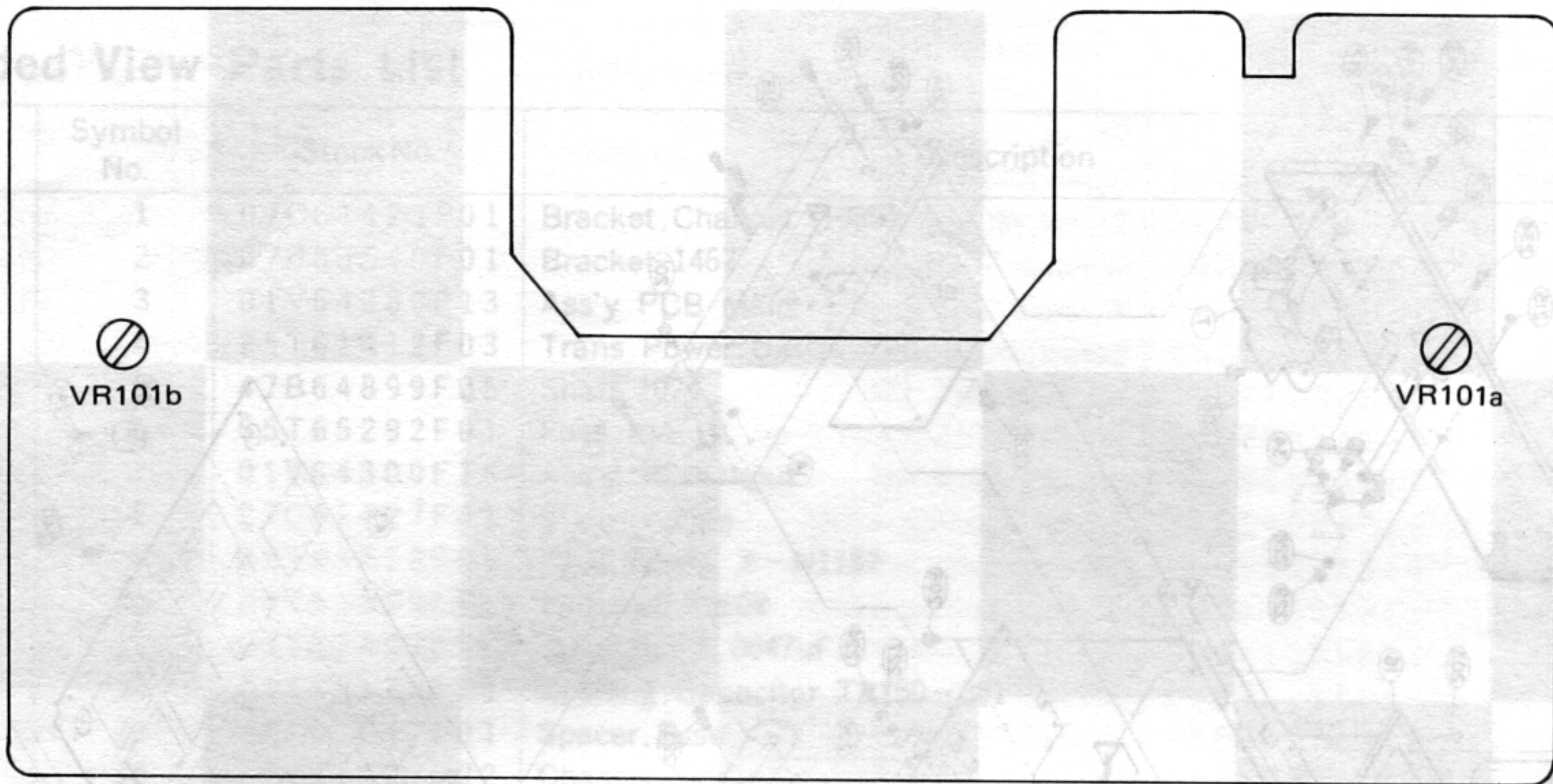
Contents

| | |
|-----------------------------------|-----|
| Block Diagram | 1 |
| Adjustment Locations | 2 |
| Adjustment Procedures | 2 |
| Exploded View | 3 |
| Exploded View Parts List | 4,5 |
| Packing Material Parts List | 6 |
| Main PCB | 7 |
| ACC PCB | 7 |
| Capacitor PCB | 7 |
| LED PCB | 7 |
| In Put PCB | 7 |
| Main PCB Parts List | 8,9 |
| ACC PCB Parts List | 9 |
| Capacitor PCB Parts List | 9 |
| LED PCB Parts List | 9 |
| In Put PCB Parts List | 10 |
| Schematic Diagrams | 11 |
| Specifications | 12 |

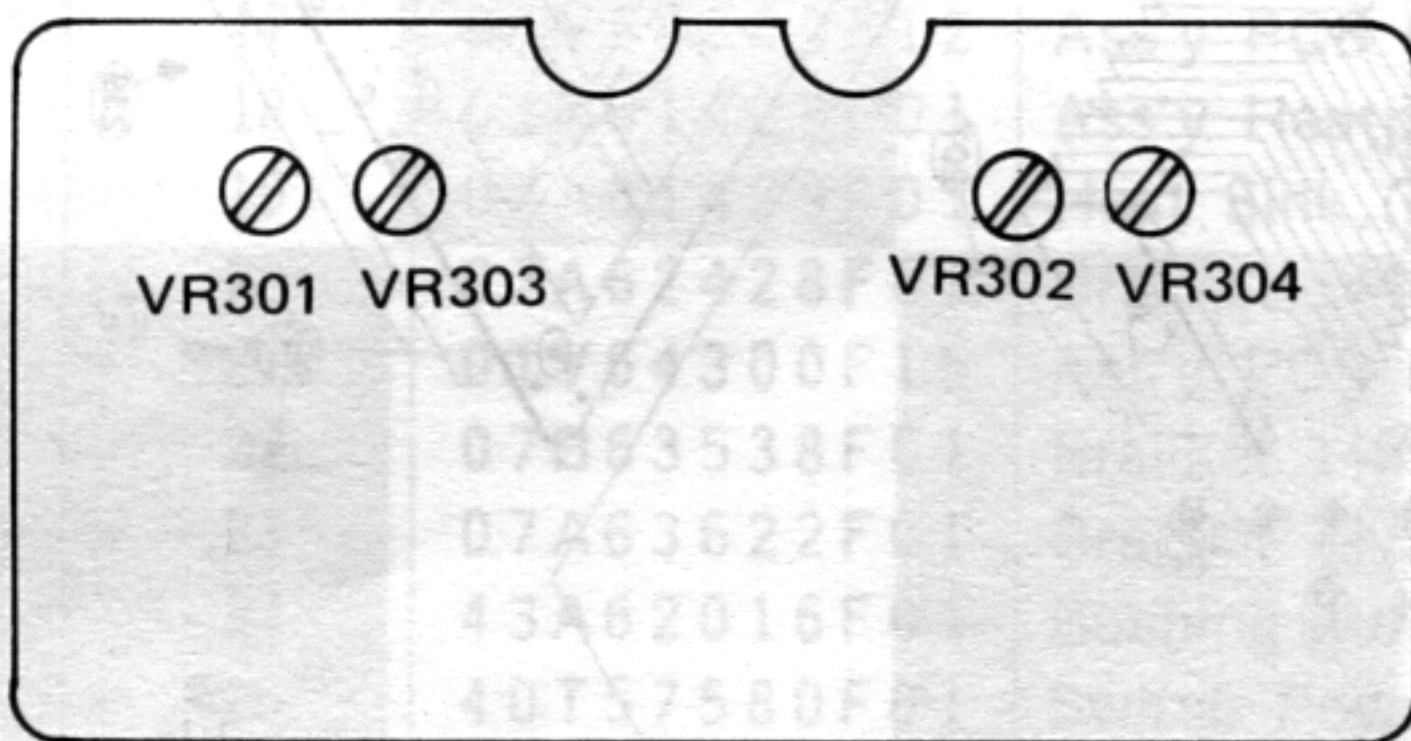
Block Diagram



Adjustment Locations



Main PCB



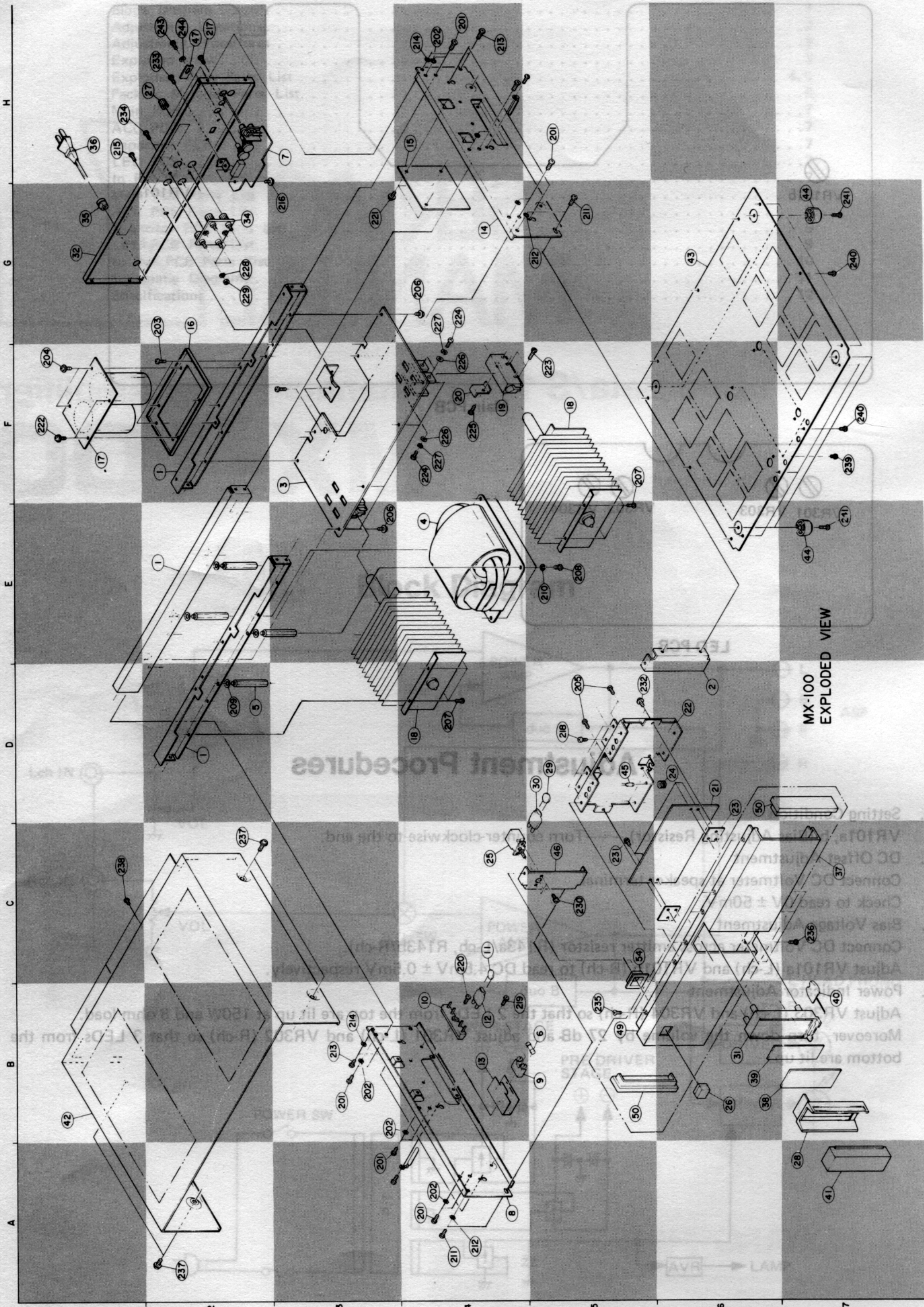
LED PCB

Adjustment Procedures

1. Setting Condition
VR101a, b (Bias Adjusting Resistor) ———Turn counter-clockwise to the end.
2. DC Offset Adjustment
Connect DC Voltmeter at speaker terminal.
Check to read $0V \pm 50mV$.
3. Bias Voltage Adjustment
Connect DC Voltmeter across emitter resistor (R143a/L-ch, R143b/R-ch).
Adjust VR101a (L-ch) and VR101b (R-ch) to read DC $4.5mV \pm 0.5mV$ respectively.
4. Power Indicator Adjustment
Adjust VR303 (L-ch) and VR304 (R-ch) so that the 2 LEDs from the top are lit up at 150W and 8 ohm load.
Moreover, turn down the volume by 27 dB and adjust VR301 (L-ch) and VR302 (R-ch) so that 3 LEDs from the bottom are lit up.

MX-100

Exploded View



MX-100

PCB Parts List

Exploded View Parts List

| Index | Symbol No. | Stock No. | Description | Description | Remarks |
|--------|------------|-------------|------------------------------|-------------|------------|
| D2, E2 | 1 | 07C61423F01 | Bracket, Channel (1060) | | |
| D6 | 2 | 07B63540F01 | Bracket 1467 | | |
| F3 | 3 | 01V64300F13 | Ass'y PCB Main | | |
| E4 | 4 | 25T61412F03 | Trans Power UZ | | |
| D2 | 5 | 47B64899F05 | Shaft, 1074 | | |
| B5 | 6 | 65T65292F01 | Fuse 10A UL | | |
| H3 | 7 | 01V64300F18 | Ass'y PCB Input | | |
| A4 | 8 | 27C61427F01 | Chassis, Side | | |
| B5 | 9 | 09T51828F01 | Fuse Holder X-N1157 | | |
| B4 | 10 | 29T61409F01 | Terminal T5608 | | |
| C4 | 11 | 08T57437F08 | Capacitor 0.0047uF | | |
| B4 | 12 | 43T53136F01 | Bushing, Capacitor TP150-301 | | |
| B4 | 13 | 43A57047F01 | Spacer, Fuse | | |
| G4 | 14 | 27C61427F02 | Chassis, Side | | |
| H4 | 15 | 01V64300F10 | Ass'y PCB ACC | | |
| G2 | 16 | 07B61425F01 | Bracket, Capacitor (1439) | | |
| F1 | 17 | 01V64300F12 | Ass'y PCB Cap | | |
| D4, F5 | 18 | 01C61428F01 | Ass'y Heatpipe (1102) | | |
| F4 | 19 | 07A61429F01 | Heat Sink, (1103) | | |
| F4 | 20 | 07A62428F01 | Bracket, 1448 | | |
| D6 | 21 | 01V64300F15 | Ass'y PCB LED | | |
| D6 | 22 | 07B63538F01 | Bracket 1465 | | |
| D6 | 23 | 07A63622F01 | Bracket 1472 | | |
| D6 | 24 | 43A62016F01 | Bushing, 1077-UZ 1077 | | |
| D5 | 25 | 40T57580F01 | Switch Power SDGA1P | | |
| B6 | 26 | 36B61434F08 | Knob Push 1161-8 | | |
| H2 | 27 | 36A63624F01 | Knob Control WJ0001 | | |
| A7 | 28 | 07C63534F01 | Frame Indicator 1190 | | |
| D4 | 29 | 08T57437F08 | Capacitor 0.0047uF | | |
| D5 | 30 | 43T53136F01 | Bushing, Capacitor TP150-301 | | |
| B6 | 31 | 07C63535F01 | Frame Indicator 1191 | | |
| G1 | 32 | 15C63542F01 | Cover Rear 1239 | | |
| H2 | 33 | 07A60439F01 | Bracket, 1425 | | |
| G2 | 34 | 09T63607F01 | Terminal Speaker T-5700 | | |
| G1 | 35 | 43B41625J02 | Support, Cord | | |
| H1 | 36 | 28T55335F01 | Plug, AC Cord SPT-2 | | |
| C7 | 37 | 01V64300F20 | Ass'y Panel Front | | |
| B6 | 38 | 61A63543F01 | Crystal Indicator 1074 | R113a.b | 68Ω 1/2W |
| B6 | 39 | 61A63544F01 | Crystal Indicator 1037 | R114a.b | 68Ω 1/2W |
| B7 | 40 | 61A63545F01 | Crystal Indicator 1254 | R115a.b | 68Ω 1/2W |
| A7 | 41 | 61B63546F01 | Crystal Indicator 1137 | R116a.b | 180Ω 1/4W |
| B1 | 42 | 15C61436F01 | Cover, Top | R117a.b | 1.7MΩ 1/4W |
| G6 | 43 | 15C61437F01 | Cover, Bottom | R118a.b | 1.2KΩ 1/4W |
| E7, G7 | 44 | 75A52969F01 | Pad, Trann-leg | R119a.b | 1.2KΩ 1/4W |
| D5 | 45 | 01T60624F03 | Ass'y Lamp Connector 12V | R120a.b | 1.2KΩ 1/4W |
| C5 | 46 | 07B63539F01 | Bracket 1466 | R121a.b | 68Ω 1/2W |
| H2 | 47 | 07A61439F01 | Support, Switch (1248) | R122a.b | 100Ω 1/2W |
| A5 | 48 | 14S53018F42 | Insulator 50X5 | R123a.b | 100Ω 1/2W |
| A6 | 49 | 64C63541F01 | Panel Front 1289 | R124a.b | 470Ω 1/2W |
| A6, C7 | 50 | 01B63621F01 | Ass'y Panel Side | R125a.b | 1.8KΩ 1/2W |
| C5 | 54 | 07B61445F01 | Frame, Knob (1186) | R126a.b | 100Ω 1W |
| A3, A4 | 201 | 03S44205G49 | Screw, T-Tite M4X8 Bind | R127a.b | 8.2KΩ 1/4W |
| A4, B3 | 202 | 04S40072G03 | Washer, Lock M4 | R128a.b | 8.2KΩ 1/4W |
| G2 | 203 | 03S44205G03 | Screw, T-Tite M3X8 | R129a.b | 4.7Ω 1W |
| F1 | 204 | 03S40036U02 | Screw, T-Tite M3X8 | R130a.b | 4.7Ω 1W |
| D5 | 205 | 03S40018G03 | Screw, Tapping M3X10 | R131a.b | 240Ω 1/4W |

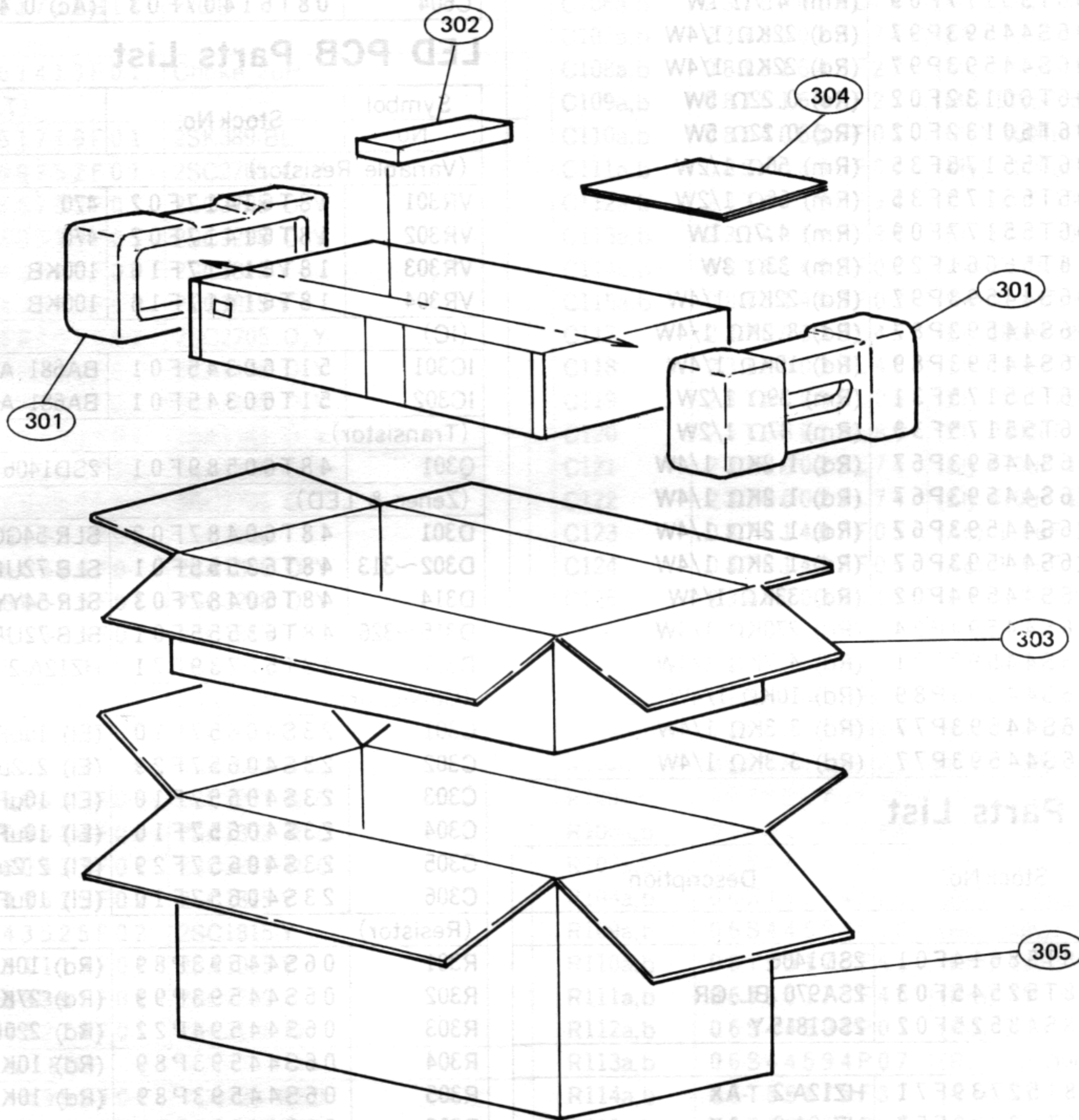
MX-100

| Index | Symbol No. | Stock No. | Description | Remarks |
|--------|------------|-------------|-------------------------|---------|
| E3, G4 | 206 | 03S40036U02 | Screw, T-Tite M3X8 | |
| D4, F5 | 207 | 03S44205G03 | Screw, T-Tite M3X8 | |
| E5 | 208 | 03C40014G36 | Screw, MCH M5X10 | |
| D2 | 209 | 04S40070G07 | Washer 5X12X0.8 | |
| E5 | 210 | 04S40071G07 | Washer, Spring M5 | |
| A4, G5 | 211 | 03S44205G49 | Screw, T-Tite M4X8 Bind | |
| A4, G5 | 212 | 04S40072G03 | Washer, Lock M4 | |
| B3, H4 | 213 | 03S44205G49 | Screw, T-Tite M4X8 Bind | |
| B3, H4 | 214 | 04S40072G03 | Washer, Lock M4 | |
| H1 | 215 | 03S40012G41 | Screw, Tapping M3X8 | |
| G3 | 216 | 03S40036U02 | Screw, T-Tite M3X8 | |
| H2 | 217 | 03S40012G41 | Screw, Tapping M3X8 | |
| D5 | 218 | 03S40036U02 | Screw, T-Tite M3X8 | |
| B4 | 219 | 03S44205G03 | Screw, T-Tite M3X8 | |
| C4 | 220 | 03S44205G08 | Screw, T-Tite M3X12 | |
| G3 | 221 | 03S40036U02 | Screw, T-Tite M3X8 | |
| F1 | 222 | 03S40036U02 | Screw, T-Tite M3X8 | |
| F5 | 223 | 03A40155F03 | Screw, MCH M3X16 | |
| F4, G4 | 224 | 03A40155F04 | Screw, MCH M3X10 | |
| F4 | 225 | 03C40014G22 | Screw, MCH M3X8 | |
| F4, G4 | 226 | 04S40071G05 | Washer 3.1X5.9X0.7 | |
| F4, G4 | 227 | 04S40070G05 | Washer 3.3X8X0.5 | |
| G2 | 228 | 04S40071G07 | Washer, Spring M5 | |
| G2 | 229 | 02S40000G13 | Nut, Hex M5 | |
| C5 | 230 | 03C40014G04 | Screw, MCH M3X6 | |
| C5 | 231 | 03C40014G04 | Screw, MCH M3X6 | |
| D5 | 232 | 03C42723U01 | Screw, CUP M3X6 | |
| H2 | 233 | 03S44205G02 | Screw, T-Tite M3X6 | |
| H1 | 234 | 03S40012G41 | Screw, Tapping M3X8 | |
| B5 | 235 | 03S44205G16 | Screw, T-Tite M3X6 | |
| C7 | 236 | 03S44205G03 | Screw, T-Tite M3X8 | |
| A2, C2 | 237 | 03S40036U01 | Screw, T-Tite M4X8 | |
| C1 | 238 | 03S44205G19 | Screw, T-Tite M3X8 | |
| F7 | 239 | 03S44205G49 | Screw, T-Tite M4X8 Bind | |
| F7, G7 | 240 | 03S44205G03 | Screw, T-Tite M3X8 | |
| E7, G7 | 241 | 03S44205G49 | Screw, T-Tite M4X8 Bind | |
| H2 | 243 | 03S44205G34 | Screw, T-Tite M2.6X5 | |
| H2 | 244 | 04S40070G22 | Washer 2.6X7.5X0.5 | |

MX-100

PAGE 10 IS OMITTED. INFORMATION CONTAINED ON PAGE 10 IS SHOWN ON PAGE 12.

Packing Material Parts List



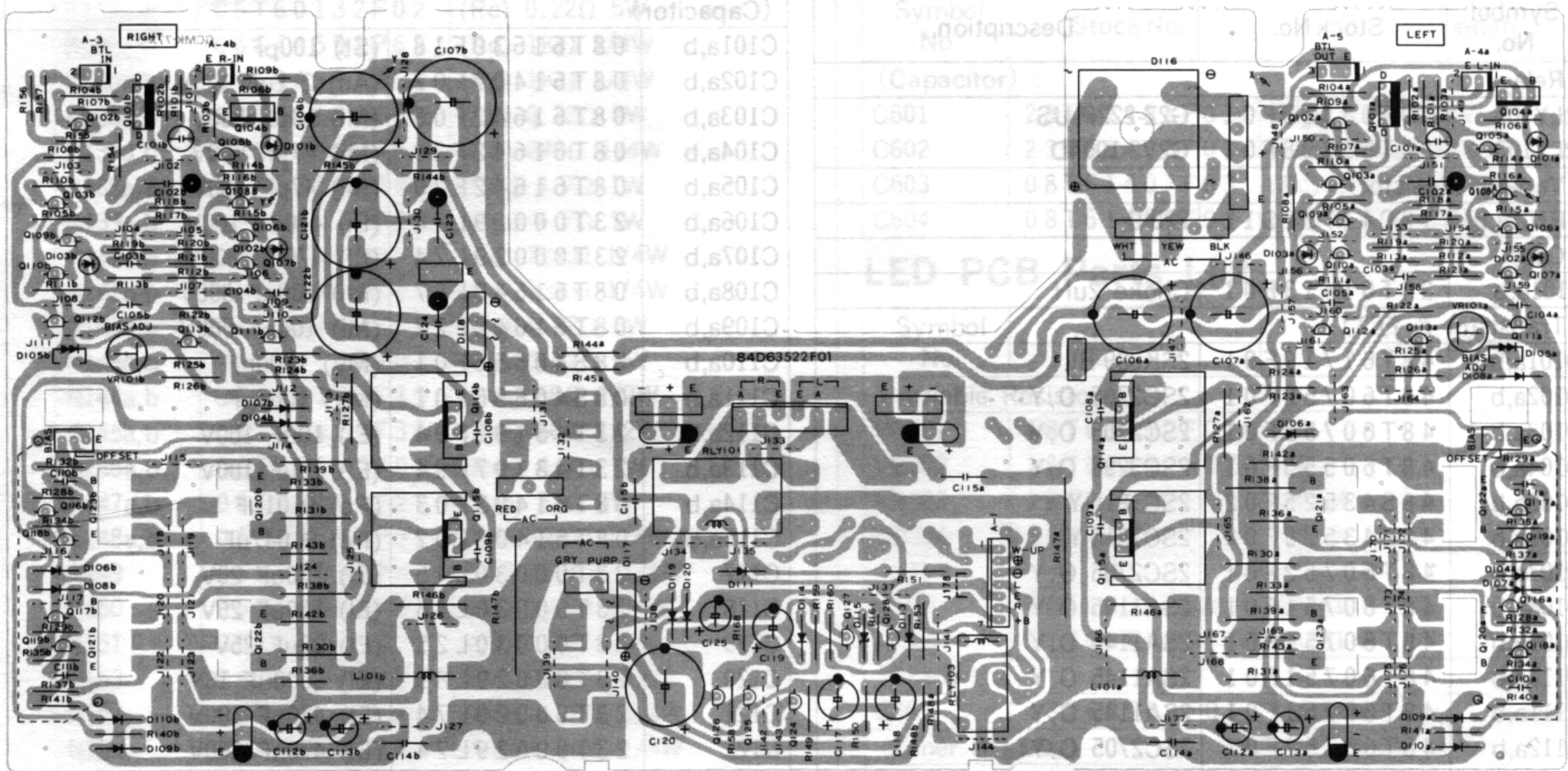
Packing Material Parts List

| Index | Symbol No. | Stock No. | Description | Remarks |
|-------|------------|-------------|----------------------|---------|
| | 301 | 56D61751F01 | Packing Tray—XB 1067 | |
| | 302 | 56A61449F01 | Packing Tray (1080) | |
| | 303 | 56C58368F31 | Carton Packing | |
| | 304 | 68R63547F01 | Owner's Manual | |
| | 305 | | None Use | |

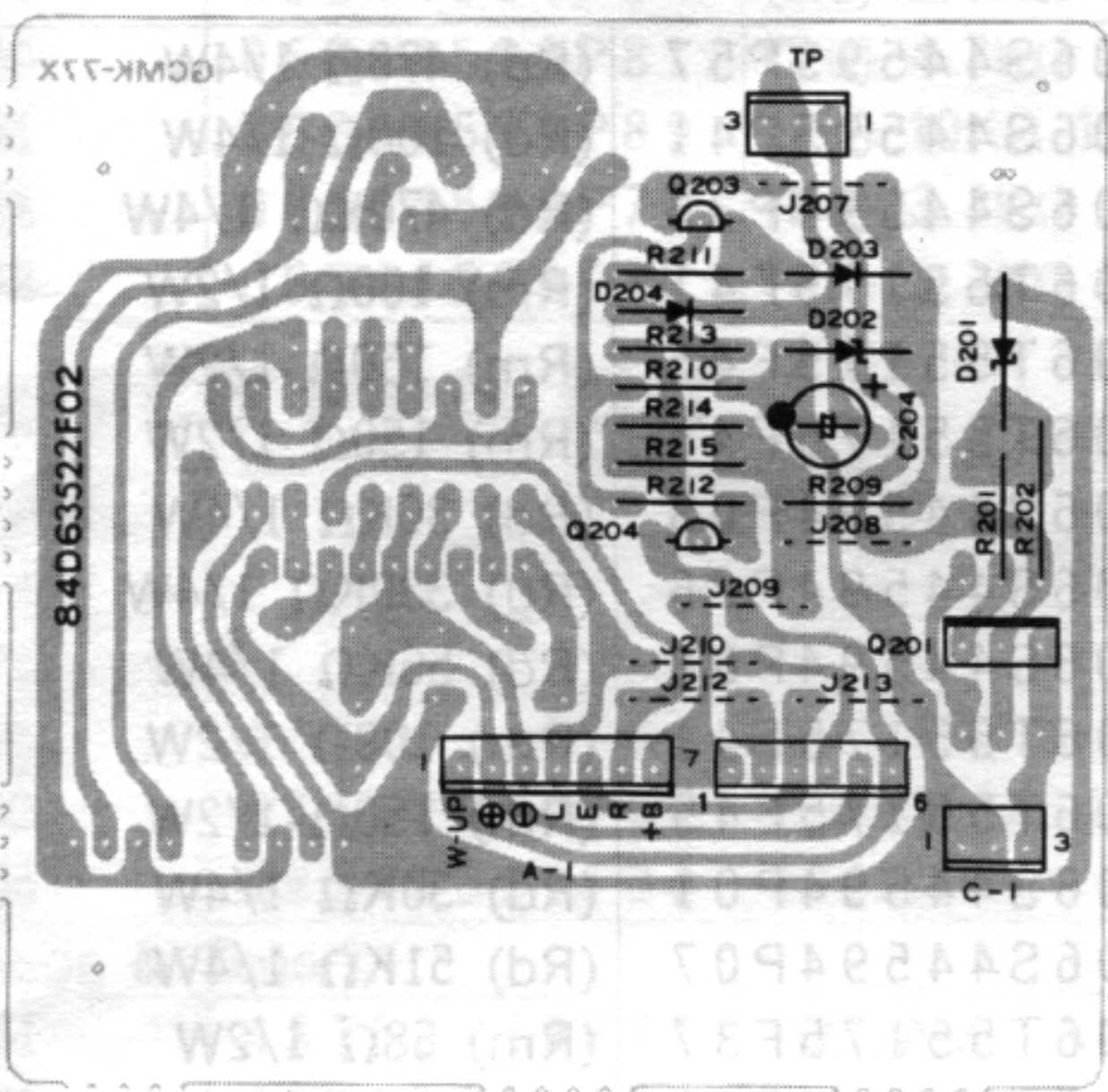
MX-100

PCB Parts List

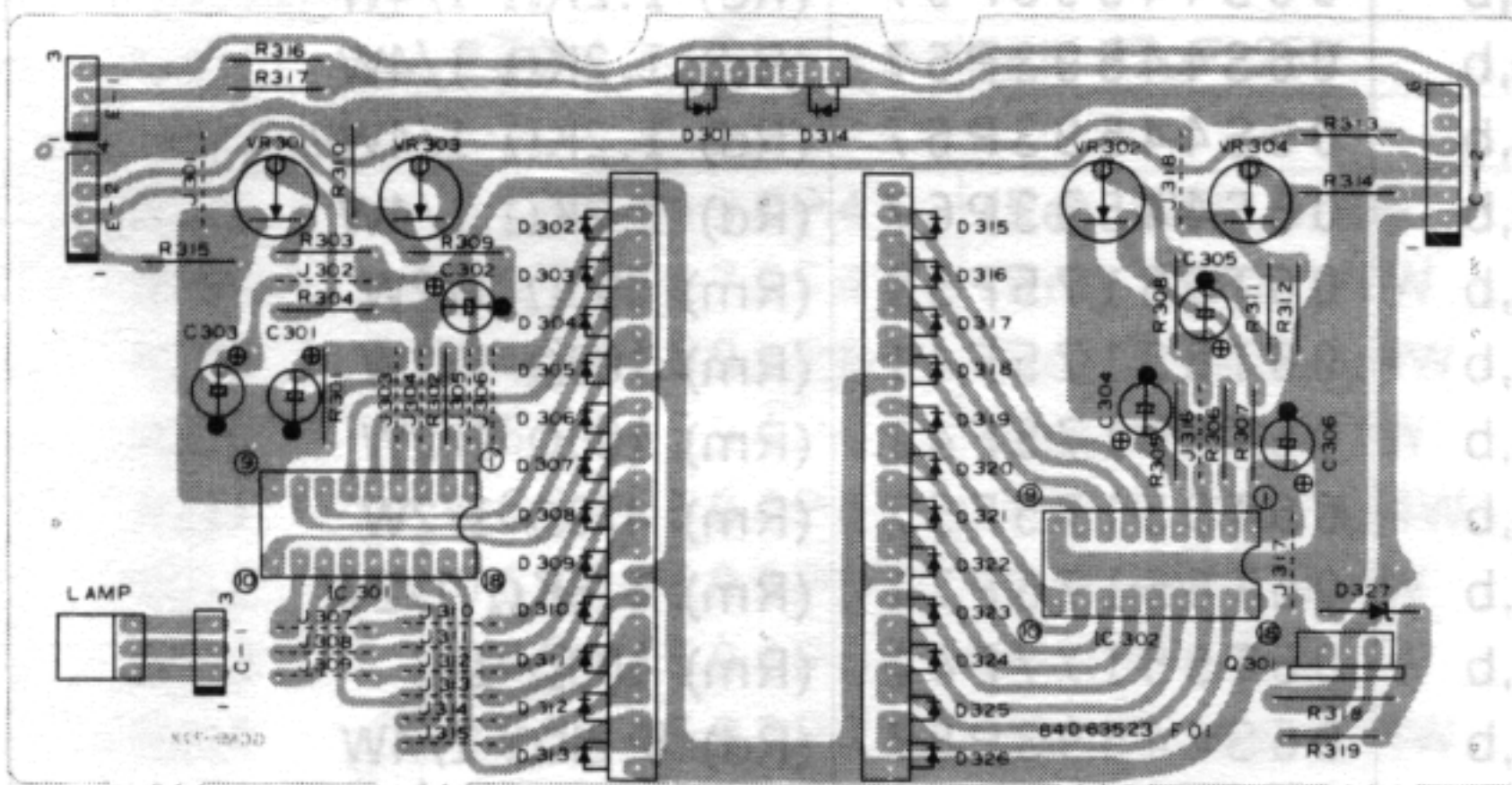
Main PCB



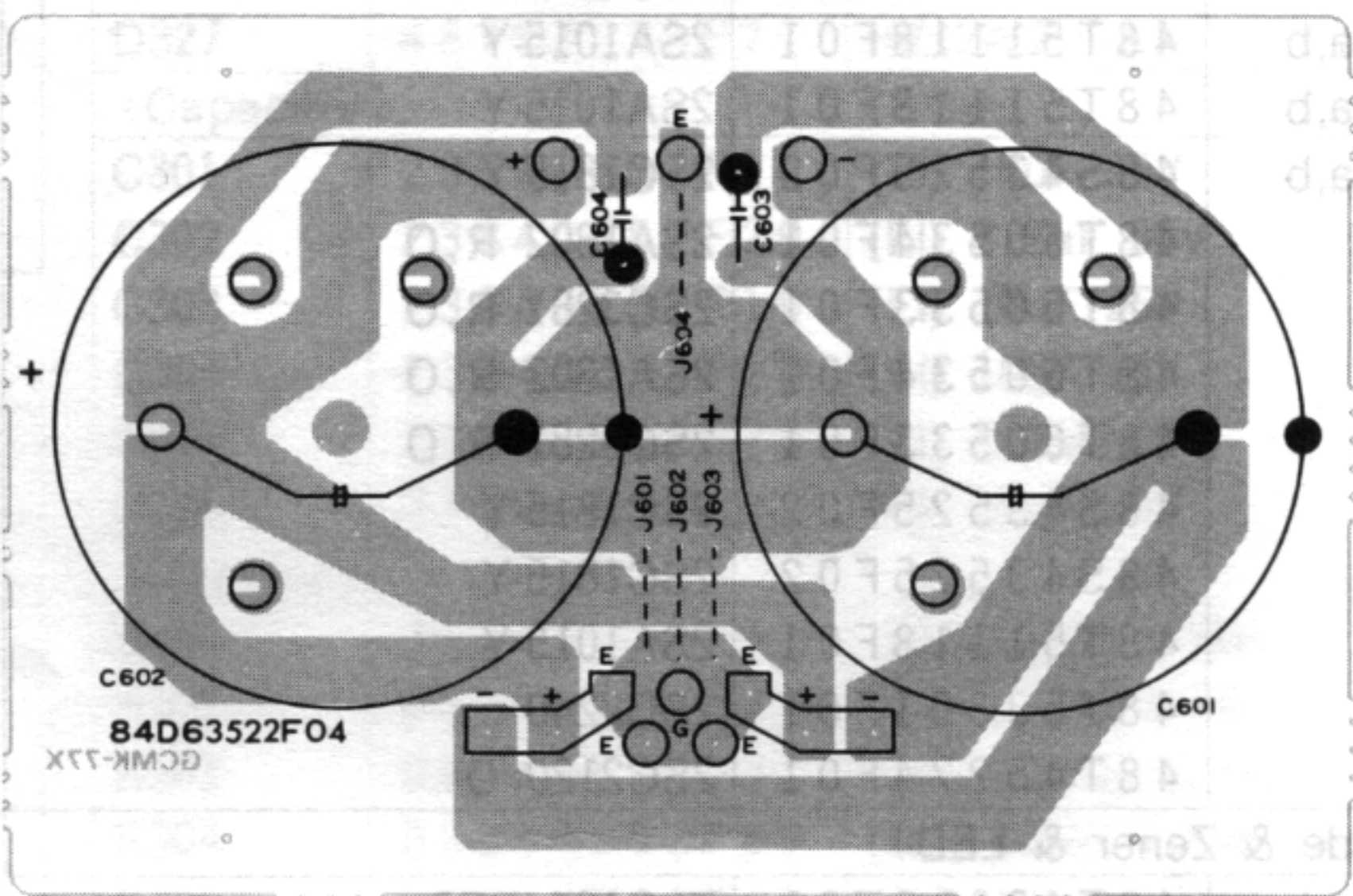
ACC PCB



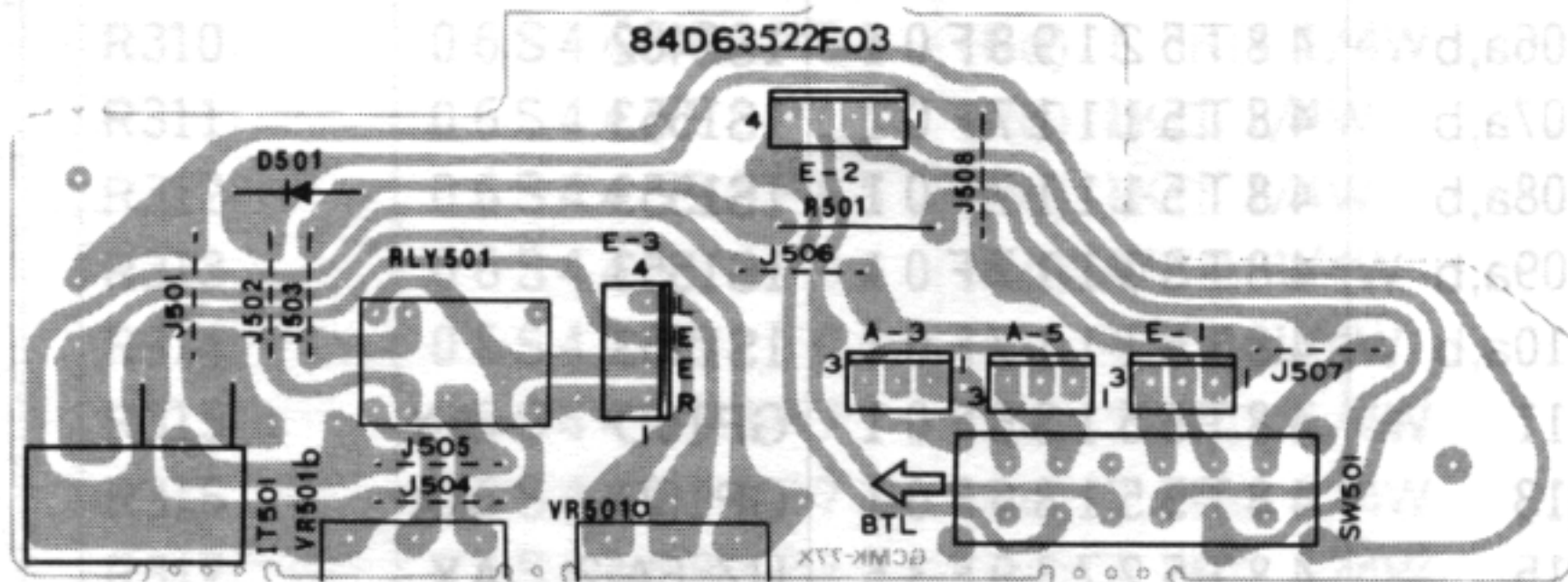
LED PCB



Capacitor PCB



In Put PCB



PCB Parts List

Main PCB Parts List

| Symbol No. | Stock No. | Description |
|--------------------------------------|-------------|-------------|
| (Relay) | | |
| RLY101 | 80T53350F01 | G2Z-222P-US |
| RLY103 | 80T55298F01 | G2V2-1004D |
| (Variable Resistor) | | |
| VR101a,b | 18C41732G11 | 220-B |
| (Coil) | | |
| L101a,b | 24T61413F01 | Choke 2uH |
| (Transistor & FET) | | |
| Q101a,b | 48T61719F01 | 2SK389-BL |
| Q102a,b | 48T60752F01 | 2SC2705 O,Y |
| Q103a,b | 48T60752F01 | 2SC2705 O,Y |
| Q104a,b | 48T60555F01 | 2SC3298 O,Y |
| Q105a,b | 48S43525F02 | 2SC1815-Y |
| Q106a,b | 48S43525F02 | 2SC1815-Y |
| Q107a,b | 48T60752F01 | 2SC2705 O,Y |
| Q108a,b | 48T60751F01 | 2SA1145 O,Y |
| Q109a,b | 48T60751F01 | 2SA1145 O,Y |
| Q110a,b | 48T60751F01 | 2SA1145 O,Y |
| Q111a,b | 48T60751F01 | 2SA1145 O,Y |
| Q112a,b | 48T60752F01 | 2SC2705 O,Y |
| Q113a,b | 48T53301F01 | 2SC2240 |
| Q114a,b | 48T60556F01 | 2SA1306 O,Y |
| Q115a,b | 48T60555F01 | 2SC3298 O,Y |
| Q116a,b | 48S43525F02 | 2SC1815-Y |
| Q117a,b | 48T51118F01 | 2SA1015-Y |
| Q118a,b | 48T51118F01 | 2SA1015-Y |
| Q119a,b | 48S43525F02 | 2SC1815-Y |
| Q120 | 48T60534F01 | 2SA1302 R,O |
| Q121 | 48T60533F01 | 2SC3281 R,O |
| Q122 | 48T60534F01 | 2SA1302 R,O |
| Q123 | 48T60533F01 | 2SC3281 R,O |
| Q124 | 48S43525F02 | 2SC1815-Y |
| Q125 | 48S43525F02 | 2SC1815-Y |
| Q126 | 48T51118F01 | 2SA1015-Y |
| Q127 | 48T53301F01 | 2SC2240 |
| Q128 | 48T45274F01 | 2SC2120 O |
| (Diode & Zener & LED) | | |
| D101a,b | 48T40955T01 | TLR124 RED |
| D102a,b | 48T40955T01 | TLR124 RED |
| D103a,b | 48T40955T01 | TLR124 RED |
| D104a,b | 48T52198F01 | 1S2462 |
| D105a,b | 48T53389F01 | STV-2H |
| D106a,b | 48T52198F01 | 1S2462 |
| D107a,b | 48T51117F01 | 1S1553 |
| D108a,b | 48T51117F01 | 1S1553 |
| D109a,b | 48T51117F01 | 1S1553 |
| D110a,b | 48T51117F01 | 1S1553 |
| D111 | 48T55186F01 | GP10D -AX |
| D113 | 48T55186F01 | GP10D -AX |
| D115 | 48T52739F35 | HZ 6A-2 -AX |
| D116 | 48T61416F03 | 10G4B41 |
| D117 | 48T61415F01 | 1B4B41 |
| D118 | 48T61415F03 | 1G4B41 |
| D119 | 48T55186F01 | GP10D -AX |
| D120 | 48T55186F01 | GP10D -AX |

| Symbol No. | Stock No. | Description |
|--------------------|-------------|-----------------|
| (Capacitor) | | |
| C101a,b | 08T61630F18 | (St) 100pF |
| C102a,b | 08T61407F07 | (Ac) 2.2uF 125V |
| C103a,b | 08T61642F06 | (Mi) 10pF 500V |
| C104a,b | 08T61642F20 | (Mi) 47pF 500V |
| C105a,b | 08T61642F20 | (Mi) 47pF 500V |
| C106a,b | 23T00029L74 | (EI) 470uF 100V |
| C107a,b | 23T00029L74 | (EI) 470uF 100V |
| C108a,b | 08T61642F27 | (Mi) 100pF 500V |
| C109a,b | 08T61642F27 | (Mi) 100pF 500V |
| C110a,b | 08S40656F01 | (My) 1000pF |
| C111a,b | 08S40656F01 | (My) 1000pF |
| C112a,b | 23T43197F94 | (EI) 10uF 100V |
| C113a,b | 23T43197F94 | (EI) 10uF 100V |
| C114a,b | 08T51403F03 | (Pe) 0.01uF |
| C115a,b | 08T51403F02 | (Pe) 0.047uF |
| C117 | 23T00030L45 | (EI) 100uF 25V |
| C118 | 23T00030L45 | (EI) 100uF 25V |
| C119 | 23T00030L25 | (EI) 22uF 25V |
| C120 | 23T00029L89 | (EI) 3300uF 16V |
| C121 | 23T00029L74 | (EI) 470uF 100V |
| C122 | 23T00029L74 | (EI) 470uF 100V |
| C123 | 08T61407F05 | (Ac) 1.0uF 125V |
| C124 | 08T61407F05 | (Ac) 1.0uF 125V |
| C125 | 23T00030L11 | (EI) 4.7uF 25V |
| (Resistor) | | |
| R101a,b | 06S44593P57 | (Rd) 470Ω 1/4W |
| R102a,b | 06S44593P41 | (Rd) 100Ω 1/4W |
| R103a,b | 06S44594P30 | (Rd) 470KΩ 1/4W |
| R104a,b | 06T55175F41 | (Rm) 100Ω 1/2W |
| R105a,b | 06T55175F45 | (Rm) 150Ω 1/2W |
| R106a,b | 06T55175F45 | (Rm) 150Ω 1/2W |
| R107a,b | 06S44594P03 | (Rd) 36KΩ 1/4W |
| R108a,b | 06S44594P26 | (Rd) 330KΩ 1/4W |
| R109a,b | 06S44594P08 | (Rd) 56KΩ 1/4W |
| R110a,b | 06T55175F41 | (Rm) 100Ω 1/2W |
| R111a,b | 06T55175F45 | (Rm) 150Ω 1/2W |
| R112a,b | 06S44594P01 | (Rd) 30KΩ 1/4W |
| R113a,b | 06S44594P07 | (Rd) 51KΩ 1/4W |
| R114a,b | 06T55175F37 | (Rm) 68Ω 1/2W |
| R115a,b | 06T55175F37 | (Rm) 68Ω 1/2W |
| R116a,b | 06S44593P47 | (Rd) 180Ω 1/4W |
| R117a,b | 06S44594P54 | (Rd) 4.7MΩ 1/4W |
| R118a,b | 06S44593P67 | (Rd) 1.2KΩ 1/4W |
| R119a,b | 06S44593P67 | (Rd) 1.2KΩ 1/4W |
| R120a,b | 06S44593P67 | (Rd) 1.2KΩ 1/4W |
| R121a,b | 06S44593P67 | (Rd) 1.2KΩ 1/4W |
| R122a,b | 06T55175F59 | (Rm) 560Ω 1/2W |
| R123a,b | 06T55175F41 | (Rm) 100Ω 1/2W |
| R124a,b | 06T55175F41 | (Rm) 100Ω 1/2W |
| R125a,b | 06T55175F57 | (Rm) 470Ω 1/2W |
| R126a,b | 06T55175F71 | (Rm) 1.8KΩ 1/2W |
| R127a,b | 06T55177F41 | (Rm) 100Ω 1W |
| R128a,b | 06S44593P87 | (Rd) 8.2KΩ 1/4W |
| R129a,b | 06S44593P87 | (Rd) 8.2KΩ 1/4W |
| R130a,b | 06T55177F09 | (Rm) 4.7Ω 1W |
| R131a,b | 06T55177F09 | (Rm) 4.7Ω 1W |
| R132a,b | 06S44593P50 | (Rd) 240Ω 1/4W |

MX-100

MX-100

| Symbol No. | Stock No. | Description |
|------------|-------------|-----------------|
| R133a,b | 06T60132F02 | (Rc) 0.22Ω 5W |
| R134a,b | 06S44593P65 | (Rd) 1KΩ 1/4W |
| R135a,b | 06S44593P65 | (Rd) 1KΩ 1/4W |
| R136a,b | 06T60132F02 | (Rc) 0.22Ω 5W |
| R137a,b | 06S44593P50 | (Rd) 240Ω 1/4W |
| R138a,b | 06T55177F09 | (Rm) 4.7Ω 1W |
| R139a,b | 06T55177F09 | (Rm) 4.7Ω 1W |
| R140a,b | 06S44593P97 | (Rd) 22KΩ 1/4W |
| R141a,b | 06S44593P97 | (Rd) 22KΩ 1/4W |
| R142a,b | 06T60132F02 | (Rc) 0.22Ω 5W |
| R143a,b | 06T60132F02 | (Rc) 0.22Ω 5W |
| R144a,b | 06T55175F35 | (Rm) 56Ω 1/2W |
| R145a,b | 06T55175F35 | (Rm) 56Ω 1/2W |
| R146a,b | 06T55177F09 | (Rm) 4.7Ω 1W |
| R147a,b | 06T56661F29 | (Rm) 33Ω 3W |
| R148a,b | 06S44593P97 | (Rd) 22KΩ 1/4W |
| R149 | 06S44593P87 | (Rd) 8.2KΩ 1/4W |
| R150 | 06S44593P89 | (Rd) 10KΩ 1/4W |
| R151 | 06T55175F31 | (Rm) 39Ω 1/2W |
| R153 | 06T55175F33 | (Rm) 47Ω 1/2W |
| R154 | 06S44593P67 | (Rd) 1.2KΩ 1/4W |
| R155 | 06S44593P67 | (Rd) 1.2KΩ 1/4W |
| R156 | 06S44593P67 | (Rd) 1.2KΩ 1/4W |
| R157 | 06S44593P67 | (Rd) 1.2KΩ 1/4W |
| R158 | 06S44594P02 | (Rd) 33KΩ 1/4W |
| R159 | 06S44594P24 | (Rd) 270KΩ 1/4W |
| R160 | 06S44593P81 | (Rd) 4.7KΩ 1/4W |
| R161 | 06S44593P89 | (Rd) 10KΩ 1/4W |
| R168 | 06S44593P77 | (Rd) 3.3KΩ 1/4W |
| R168 | 06S44593P77 | (Rd) 3.3KΩ 1/4W |

Acc PCB Parts List

| Symbol No. | Stock No. | Description |
|-----------------|-------------|-----------------|
| (Transistor) | | |
| Q201 | 48T58614F01 | 2SD1406 |
| Q203 | 48T52545F03 | 2SA970 BL,GR |
| Q204 | 48S43525F02 | 2SC1815-Y |
| (Diode & Zener) | | |
| D201 | 48T52739F71 | HZ12A-2 -AX |
| D202 | 48T52739F53 | HZ 9A-2 -AX |
| D203 | 48T51117F01 | 1S1553 |
| D204 | 48T51117F01 | 1S1553 |
| (Capacitor) | | |
| C209 | 23T42478F31 | (EI) 47uF 25V |
| (Resistor) | | |
| R201 | 06S44593P41 | (Rd) 100Ω 1/4W |
| R202 | 06T55175F47 | (Rm) 180Ω 1/2W |
| R209 | 06S44593P69 | (Rd) 1.5KΩ 1/4W |
| R210 | 06S44594P06 | (Rd) 47KΩ 1/4W |
| R211 | 06S44594P42 | (Rd) 1.5MΩ 1/4W |
| R212 | 06S44593P97 | (Rd) 22KΩ 1/4W |
| R213 | 06S44594P06 | (Rd) 47KΩ 1/4W |
| R214 | 06S44593P73 | (Rd) 2.2KΩ 1/4W |
| R215 | 06S44593P73 | (Rd) 2.2KΩ 1/4W |

Capacitor PCB Parts List

| Symbol No. | Stock No. | Description |
|-------------|-------------|------------------|
| (Capacitor) | | |
| C601 | 23T61408F01 | (EI) 15000uF 71V |
| C602 | 23T61408F01 | (EI) 15000uF 71V |
| C603 | 08T61407F03 | (Ac) 0.47uF 125V |
| C604 | 08T61407F03 | (Ac) 0.47uF 125V |

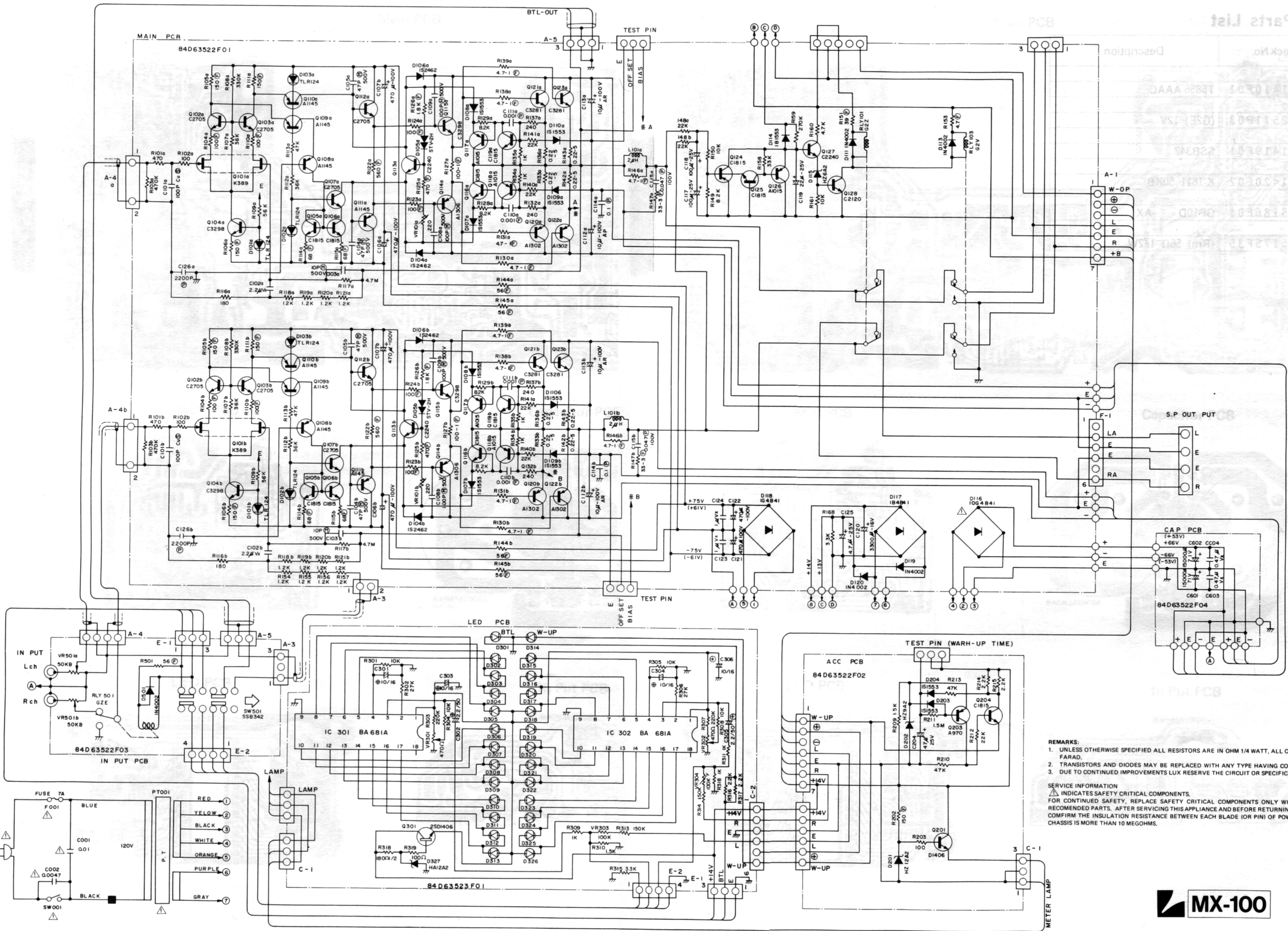
LED PCB Parts List

| Symbol No. | Stock No. | Description |
|---------------------|-------------|-----------------|
| (Variable Resistor) | | |
| VR301 | 18T61417F02 | 470 |
| VR302 | 18T61417F02 | 470 |
| VR303 | 18T61417F16 | 100KB |
| VR304 | 18T61417F16 | 100KB |
| (IC) | | |
| IC301 | 51T60345F01 | BA681 A |
| IC302 | 51T60345F01 | BA681 A |
| (Transistor) | | |
| Q301 | 48T60589F01 | 2SD1406 |
| (Zener & LED) | | |
| D301 | 48T60487F02 | SLR-54GG3 |
| D302~313 | 48T63555F01 | SLB-72URHL |
| D314 | 48T60487F03 | SLR-54YY3 |
| D315~326 | 48T63555F01 | SLB-72URHL |
| D327 | 48T52739F71 | HZ12A-2 -AX |
| (Capacitor) | | |
| C301 | 23S40657F10 | (EI) 10uF 26V |
| C302 | 23S40657F29 | (EI) 2.2uF 50V |
| C303 | 23S40657F10 | (EI) 10uF 26V |
| C304 | 23S40657F10 | (EI) 10uF 26V |
| C305 | 23S40657F29 | (EI) 2.2uF 50V |
| C306 | 23S40657F10 | (EI) 10uF 26V |
| (Resistor) | | |
| R301 | 06S44593P89 | (Rd) 10KΩ 1/4W |
| R302 | 06S44593P99 | (Rd) 27KΩ 1/4W |
| R303 | 06S44594P22 | (Rd) 220KΩ 1/4W |
| R304 | 06S44593P89 | (Rd) 10KΩ 1/4W |
| R305 | 06S44593P89 | (Rd) 10KΩ 1/4W |
| R306 | 06S44593P99 | (Rd) 27KΩ 1/4W |
| R307 | 06S44594P22 | (Rd) 220KΩ 1/4W |
| R308 | 06S44593P89 | (Rd) 10KΩ 1/4W |
| R309 | 06S44593P65 | (Rd) 1KΩ 1/4W |
| R310 | 06S44593P69 | (Rd) 1.5KΩ 1/4W |
| R311 | 06S44593P65 | (Rd) 1KΩ 1/4W |
| R312 | 06S44593P65 | (Rd) 1KΩ 1/4W |
| R313 | 06S44594P06 | (Rd) 47KΩ 1/4W |
| R314 | 06S40151T06 | (Rd) 47KΩ 1/4W |
| R315 | 06S44593P77 | (Rd) 3.3KΩ 1/4W |
| R316 | 06S44593P73 | (Rd) 2.2KΩ 1/4W |
| R317 | 06S44593P73 | (Rd) 2.2KΩ 1/4W |
| R318 | 06T55175F47 | (Rm) 180Ω 1/2W |
| R319 | 06S40150T41 | (Rd) 100Ω 1/4W |

Input PCB Parts List

| Symbol No. | Stock No. | Description |
|---------------------|-------------|---------------|
| (Terminal) | | |
| IT501 | 09T61410F01 | T5856-AAAC |
| (Relay) | | |
| RLY501 | 80B42571P03 | (G2E) 12V |
| (Switch) | | |
| SW501 | 40T61419F01 | SSB342 |
| (Variable Resistor) | | |
| VR501a,b | 18T61420F02 | K-1611 50KB |
| (Diode) | | |
| D501 | 48T55186F01 | GP10D -AX |
| (Resistor) | | |
| R501 | 06T55175F35 | (Rm) 56Ω 1/2W |

Schematic Diagram



REMARKS:

1. UNLESS OTHERWISE SPECIFIED ALL RESISTORS ARE IN OHM 1/4 WATT, ALL CAPACITORS IN MICRO FARAD.
2. TRANSISTORS AND DIODES MAY BE REPLACED WITH ANY TYPE HAVING COMPARABLE RATINGS.
3. DUE TO CONTINUED IMPROVEMENTS LUX RESERVE THE CIRCUIT OR SPECIFICATIONS.

SERVICE INFORMATION
 ⚠ INDICATES SAFETY CRITICAL COMPONENTS.
 FOR CONTINUED SAFETY, REPLACE SAFETY CRITICAL COMPONENTS ONLY WITH MANUFACTURER'S RECOMMENDED PARTS. AFTER SERVICING THIS APPLIANCE AND BEFORE RETURNING TO THE CUSTOMER, CONFIRM THE INSULATION RESISTANCE BETWEEN EACH BLADE (OR PIN) OF POWER CORD PLUG AND CHASSIS IS MORE THAN 10 MEGOHMS.



Specifications

| | |
|------------------------------|---|
| Power Output Stereo: | 8 Ohm 1kHz 150W 0.012% |
| BTL Power Out: | 8 Ohm 20-20kHz THD 140W 0.012% |
| Power Bandwidth: | 8 Ohm 320W |
| Input Sensitivity/Impedance: | 8 Ohm Half Rated Power 10~100kHz - 1 dB |
| Frequency Response: | 8 Ohm Rated Power 1.2V/45kΩ |
| Signal-to-Noise Ratio: | 5~100kHz - 1 dB |
| Intermodulation Distortion: | 120 dB |
| Channel Separation: | 0.012% |
| (Input Shorted) | 8 Ohm Half Rated Power 1kHz 90 dB |
| GENERAL | |
| Power Consumption: | 120V 7A |
| Dimensions: | 453mm(W) x 141mm(H) x 336mm(D) (17.8"(W) x 5.6"(H) x 13.2"(D)) |
| Weight: | Net 14.5 kgs (31.9 lbs.) |

* Specifications and appearance design subject to change without notice.