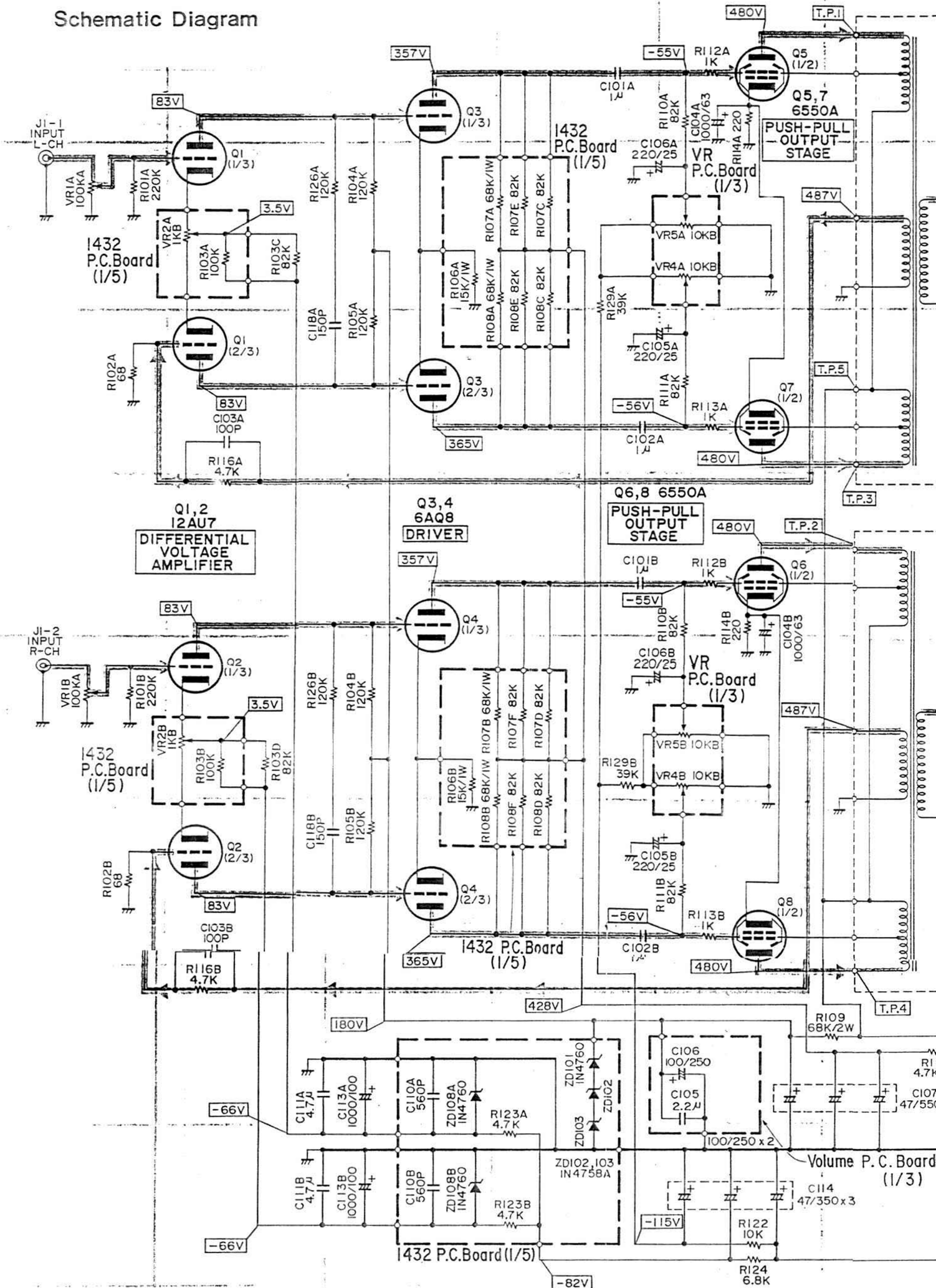


Schematic Diagram



<Notes>

- Measuring Condition
- Power supply voltage : AC220V, 50/60Hz
- Measuring meter : Digital multi meter

- Measuring point reference : Between ground
- Measuring condition : No signal input

