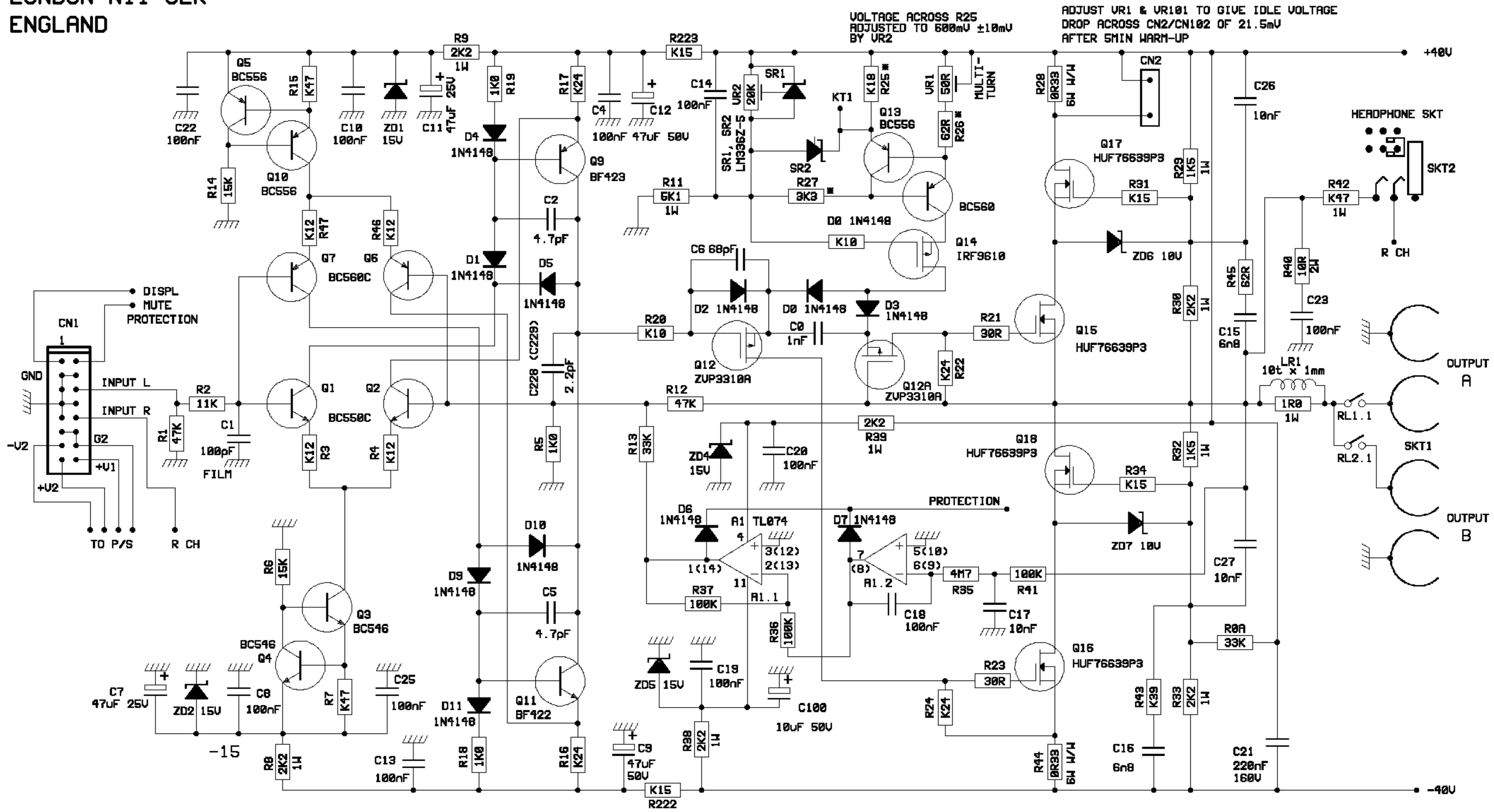


**CREEK AUDIO Ltd.**  
 2 BELLEVUE ROAD  
 LONDON N11 3ER  
 ENGLAND

**SCHEMATIC DIAGRAM OF CREEK 5350mk2 SE PART 1**  
**INTEGRATED AMPLIFIER V1.0**



© CREEK AUDIO LTD 2002  
 TEL: 020-8361-4133  
 FAX: 020-8361-4136  
 EMAIL: info@creekaudio.co.uk

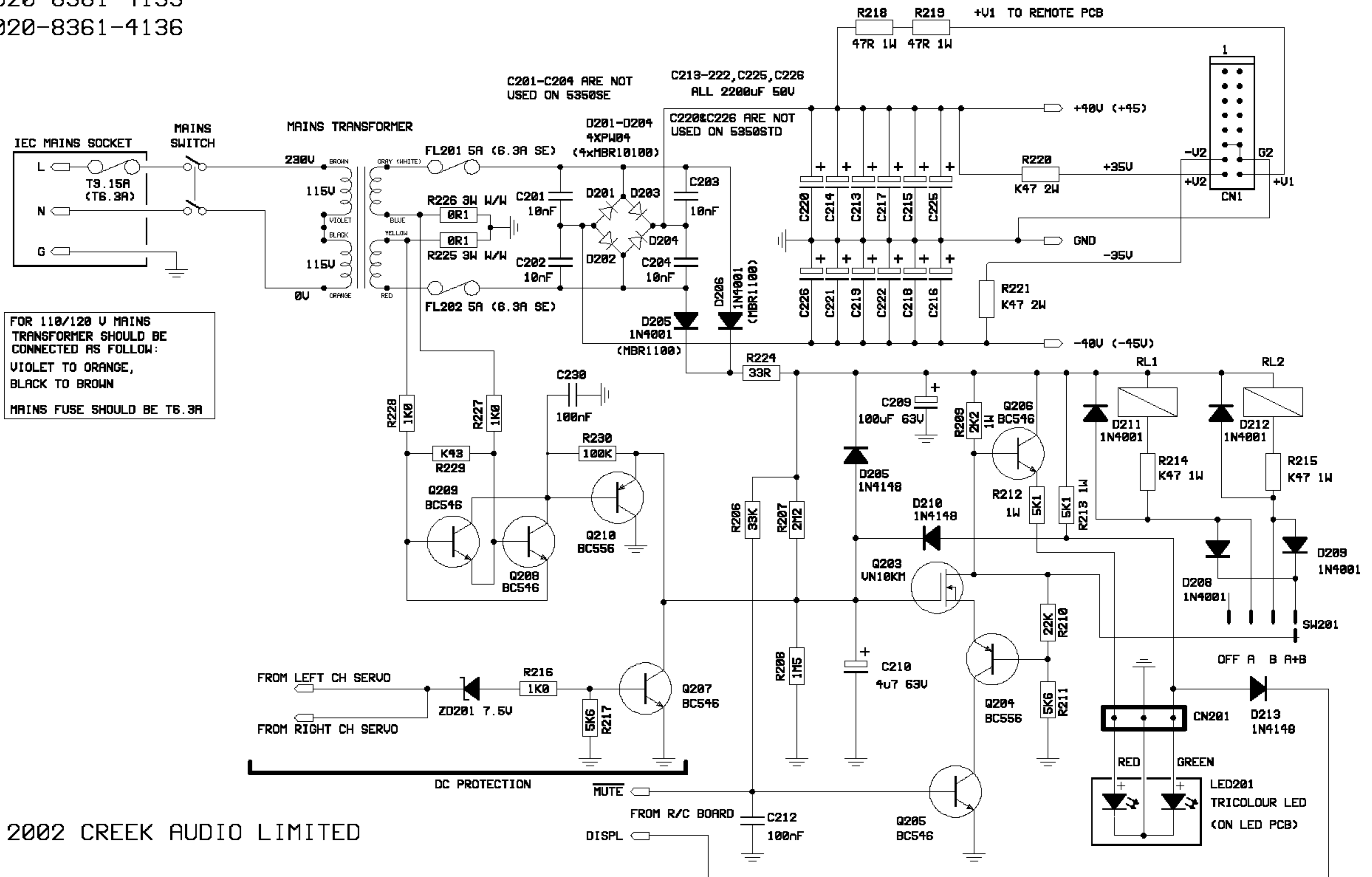
NOTE 1: DRAWING SHOWS LEFT HAND COMPONENTS ONLY  
 FOR RIGHT HAND PART NOS ADD 100 EXCEPT  
 WHERE SHOWN IN BRACKETS

Version 3.0  
 05.08.2002  
 FILE: 5350M2SE.SCH

# CREEK AUDIO LIMITED

2, BELLEVUE ROAD  
 FRIERN BARNET  
 LONDON N11 3ER  
 TEL 020-8361-4133  
 FAX 020-8361-4136

## SCHEMATIC DIAGRAM OF 5350 AMPLIFIER V1 PROTECTION AND POWER SUPPLY (Rev2)



© 2002 CREEK AUDIO LIMITED

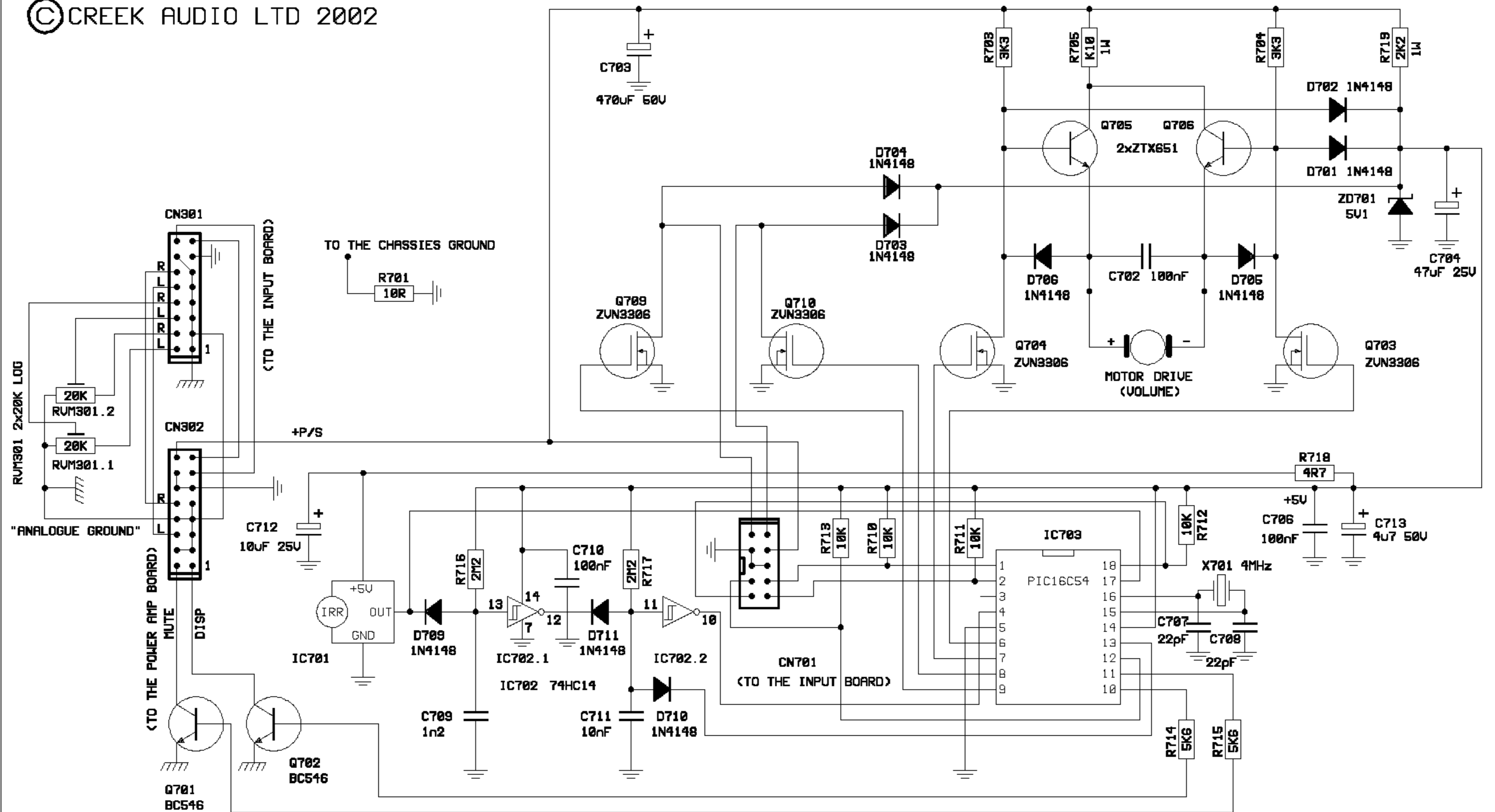
CREEK AUDIO LTD  
 2 BELLEVUE ROAD  
 LONDON N11 3ER  
 ENGLAND

TEL: 020-8361-4133

FAX: 020-8361-4136

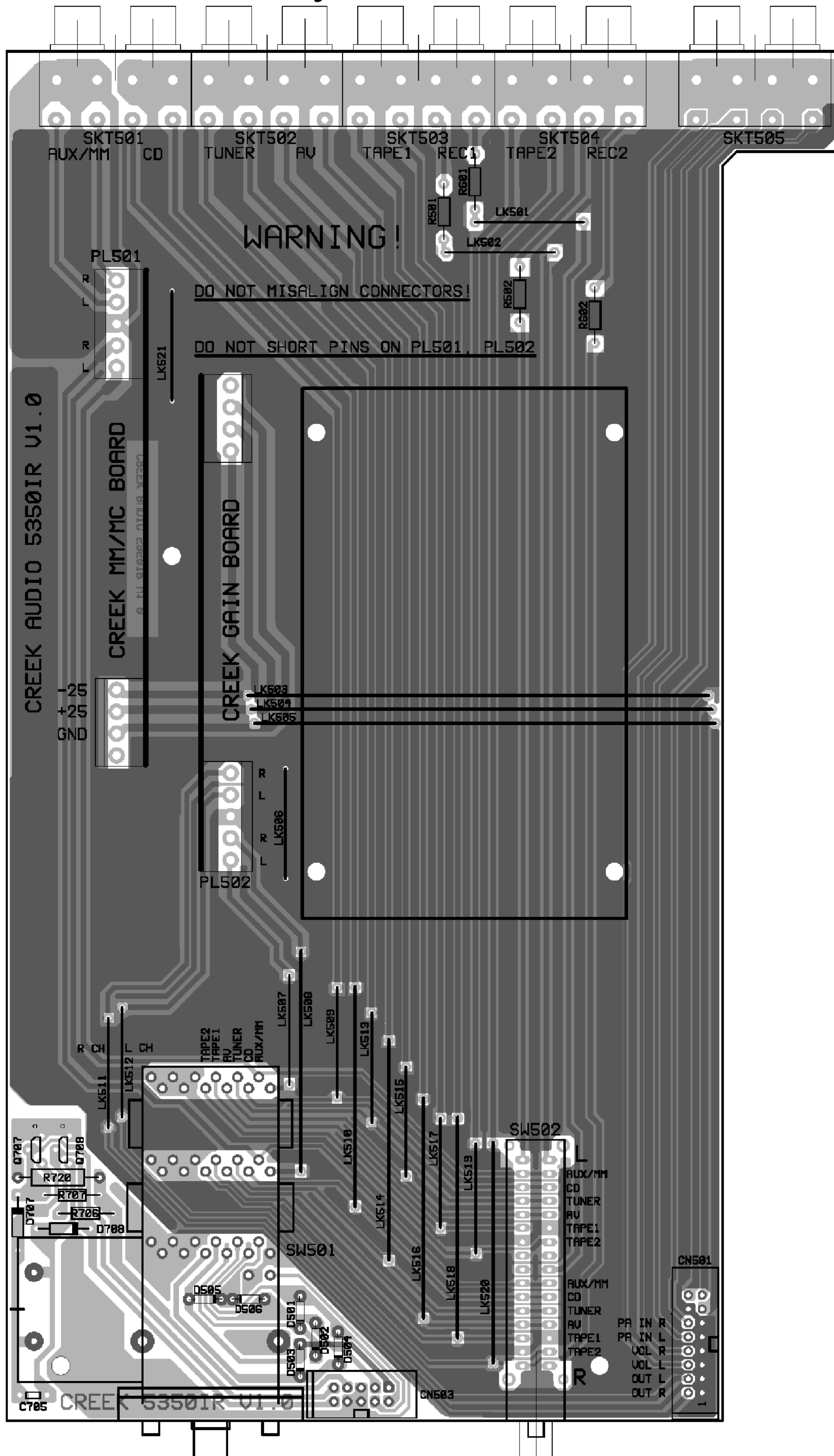
© CREEK AUDIO LTD 2002

# 5350 REMOTE VOLUME PCB V1.0



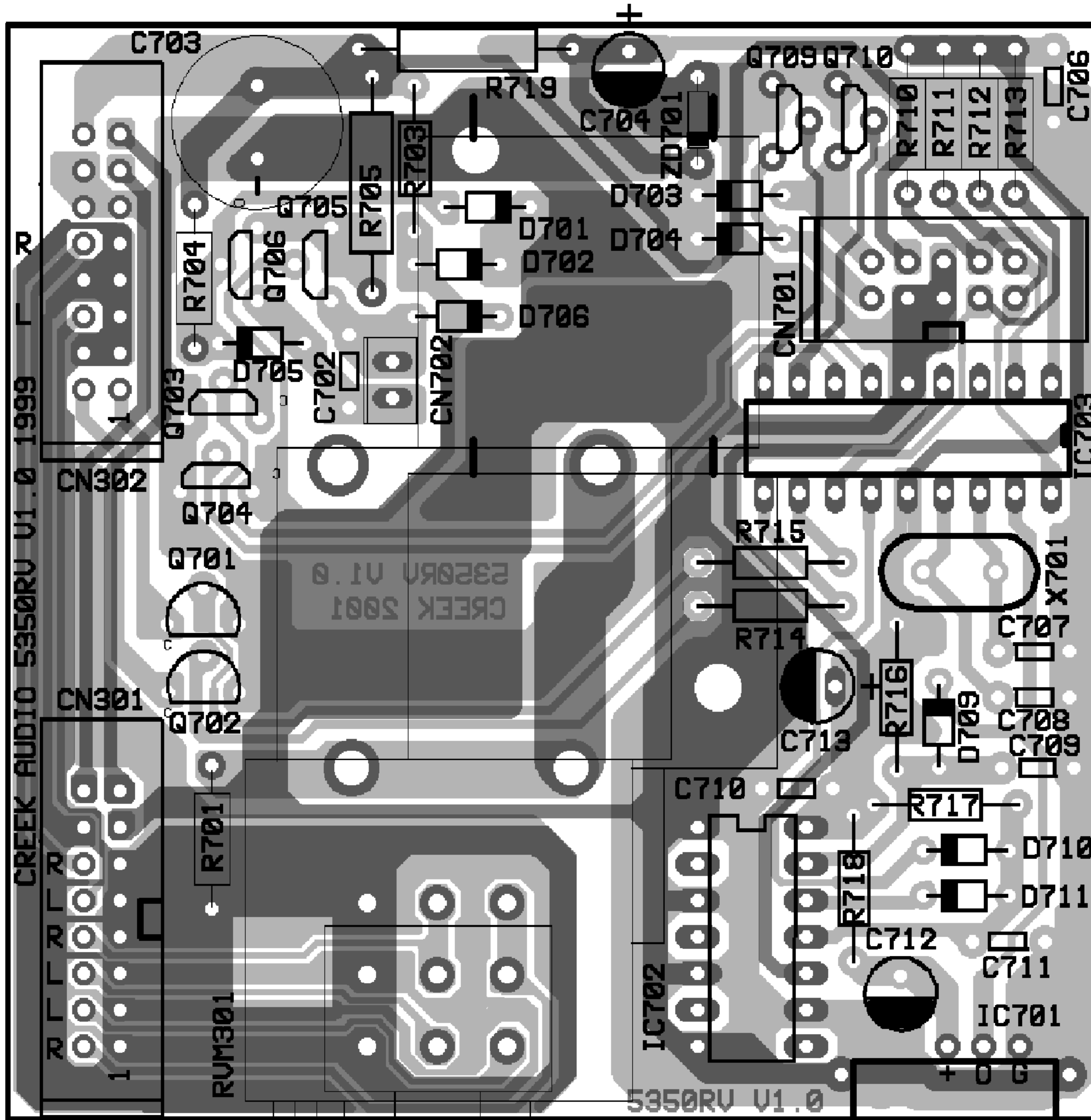
# 5350SE Integrated Amplifier

V1.0 IN PCB Layout ©2002 Creek Audio Ltd



# 5350SE Integrated Amplifier

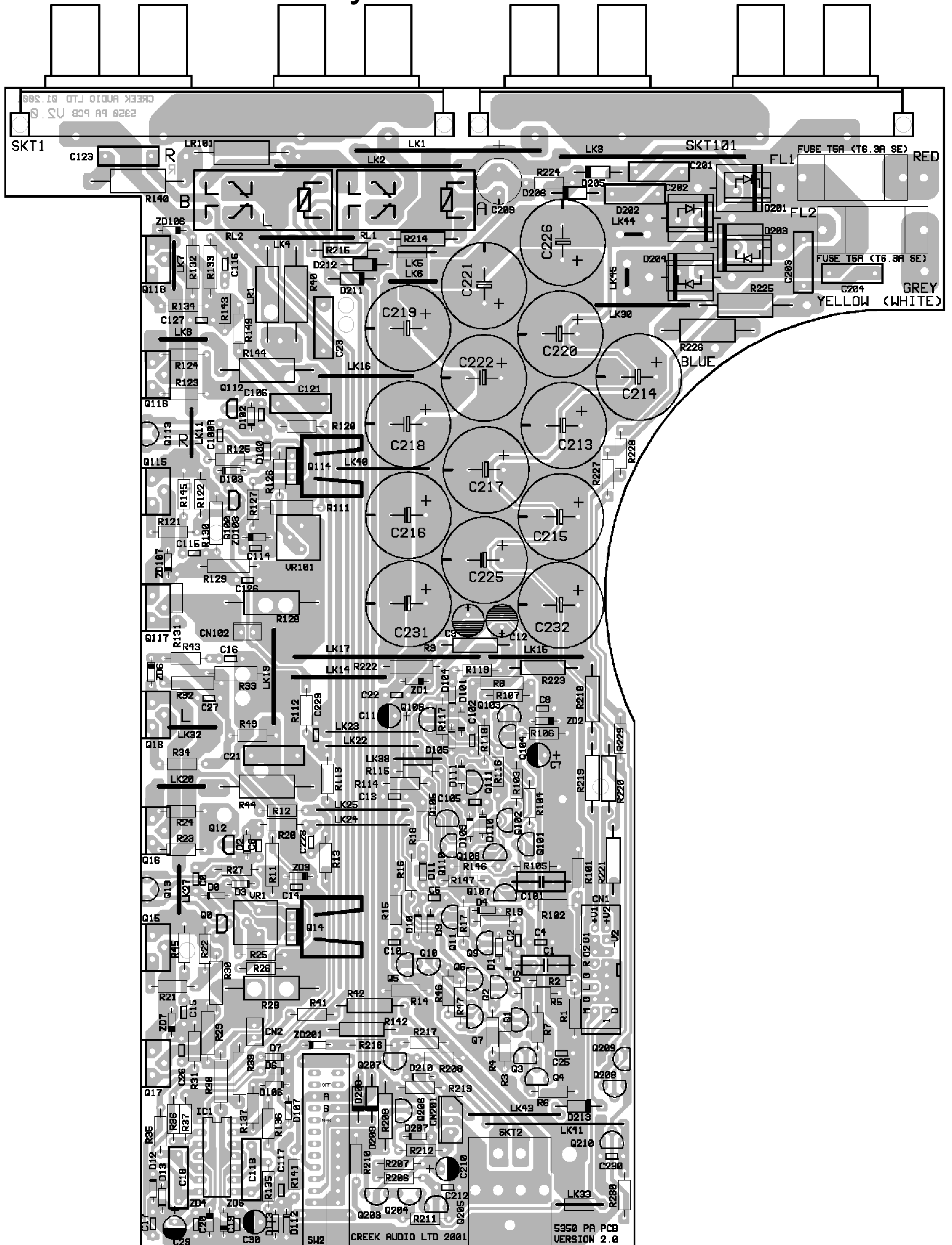
V1.0 RV PCB Layout ©2002 Creek Audio Ltd





# 5350SE Integrated Amplifier

## V2.0 PA PCB Layout ©2002 Creek Audio Ltd



CREEK AUDIO LTD  
 2 BELLEVUE ROAD  
 LONDON N11 3ER  
 ENGLAND

5350R/5350SE INTEGRATED AMPLIFIER  
 REMOTE INPUT BOARD V1.0

TEL: 020-8361-4133  
 FAX: 020-8361-4136

© CREEK AUDIO 2000

DRAWING SHOWS LEFT HAND COMPONENTS ONLY  
 FOR RIGHT HAND PART NOS ADD 100

