

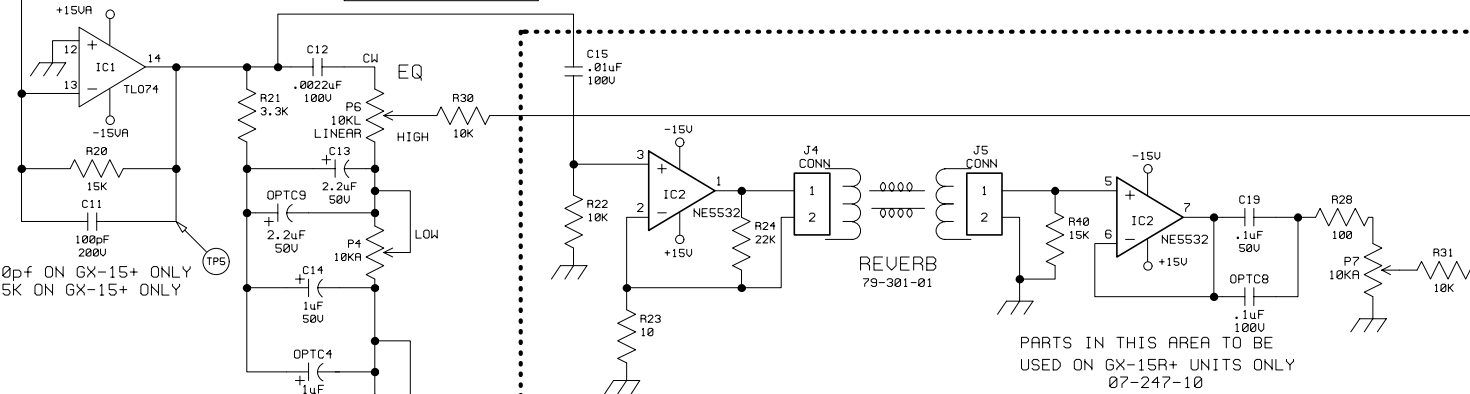
GX-15(R) TEST POINTS

SW1 IN (OVERDRIVE CHANNEL)  
 INPUT SIGNAL 50mV P-P @ 1KHz  
 GAIN & LEVEL @ "10"; EQ's @ "5"

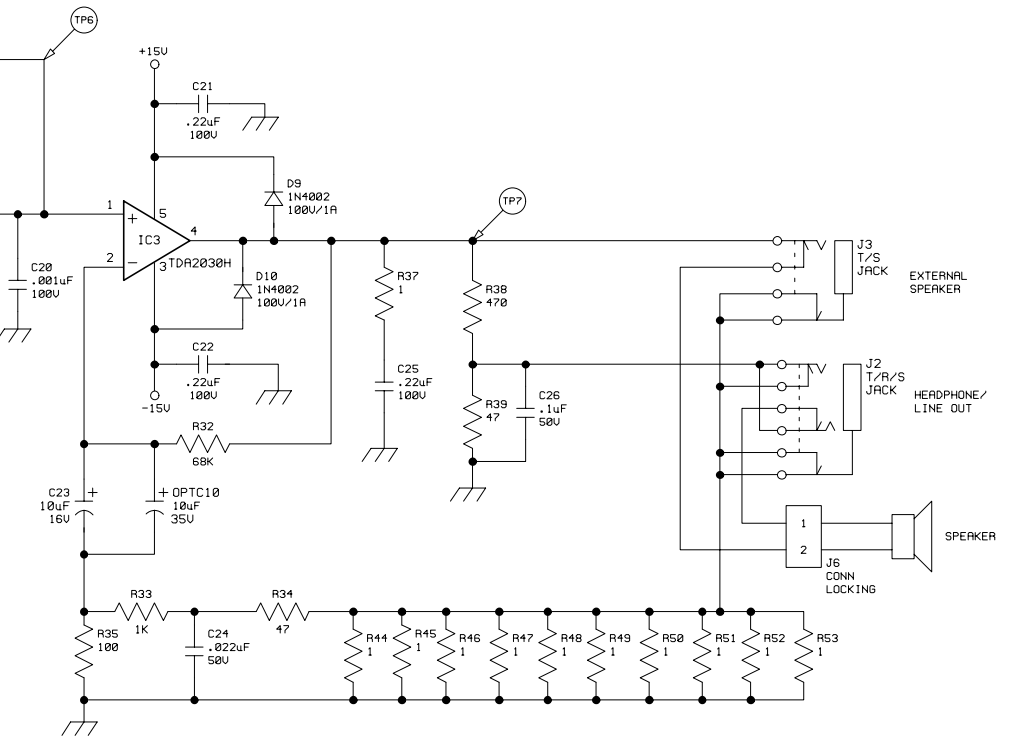
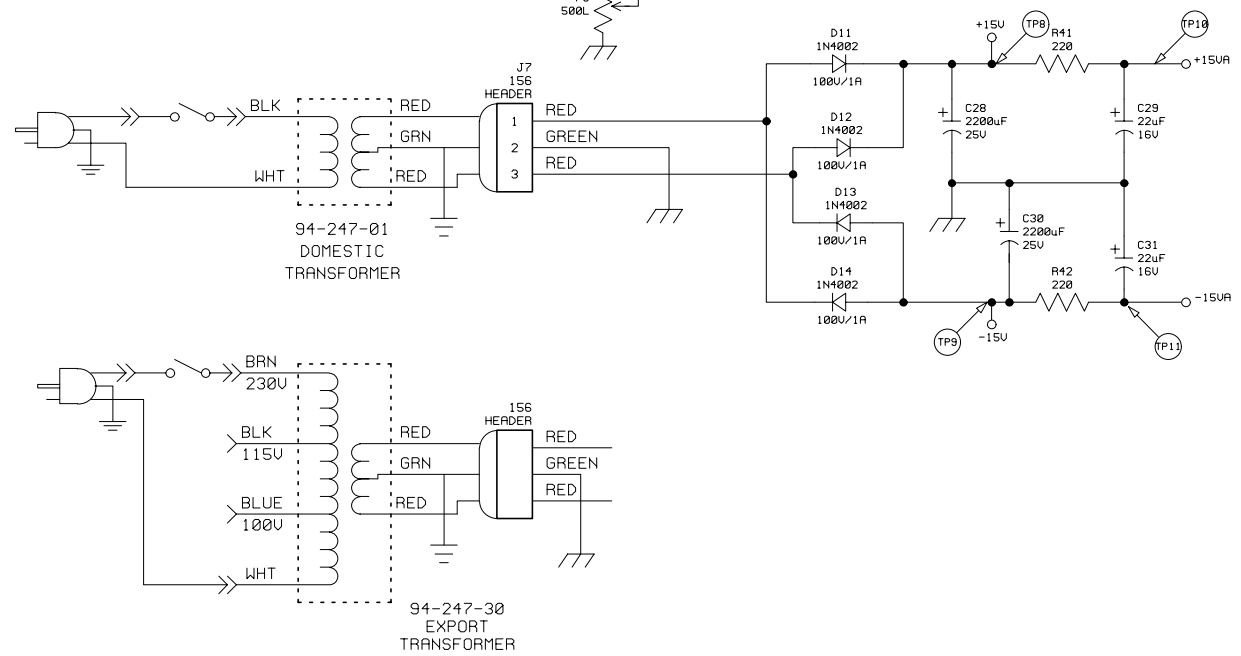
T.P.	AC VOLTAGE	DC VOLTAGE	WAVEFORM
1	50mV p-p	0VDC	~
2	120mV p-p	.8mVDC	~
3	6.5V p-p	1.3mVDC	~
4	4.0V p-p	.8mVDC	~
5	680mV p-p	1.0mVDC	~
6	45mV p-p	2.1mVDC	~
7	27V p-p	6.0mVDC	~
8	170mV p-p ripple	14.8VDC	~
9	170mV p-p ripple	-14.8VDC	~
10	15mV p-p ripple	13.0VDC	~
11	15mV p-p ripple	-13.0VDC	~

SW1 OUT (CLEAN CHANNEL)  
 INPUT SIGNAL 50mV P-P @ 1KHz  
 VOLUME @ "10"; EQ's @ "5"

T.P.	AC VOLTAGE	DC VOLTAGE	WAVEFORM
1	50mV p-p	0VDC	~
2	120mV p-p	.4mVDC	~
3	8V p-p	1.3mVDC	~
4	8V p-p	0VDC	~
5	680mV p-p	2.0mVDC	~
6	20mV p-p	2.1mVDC	~
7	14V p-p	6.0mVDC	~
8	170mV p-p ripple	14.8VDC	~
9	170mV p-p ripple	-14.8VDC	~
10	15mV p-p ripple	13.0VDC	~
11	15mV p-p ripple	-13.0VDC	~



PARTS IN THIS AREA TO BE USED ON GX-15R+ UNITS ONLY 07-247-10



4	11-23-98	RLB		UPDATE TO AGREE WITH PICTORIAL PER E980586
3	01/20/98	REM	DJR	NO_CHANGE_REU_TO_MATCH_PICT_PER_E970820.
2	1-17-96	RLB	TEK	REMOVE_OPTR1_PER_ECO_ECO_960485
1	-	-	-	-
REV	DATE	BY	CHK'D	DESCRIPTION
SIGNATURES:				DATE: 7-26-96
DRAWN: RLB				11800 BORMAN DR. ST. LOUIS, MISSOURI 63146
CHK'D: DR				PROJECT NAME: GX-15+/15R+_GUITAR_AMP
APP'D: DR				DRAWING NAME: SCHEMATIC
ORIGINAL ISSUED: 7-26-96				
PLOT DATE: 2:00				DRAWING NO. 07S247-01/10 REV. 42
FILE NAME: 24701C4Z				SCALE: NONE SHEET: 1_OF_1