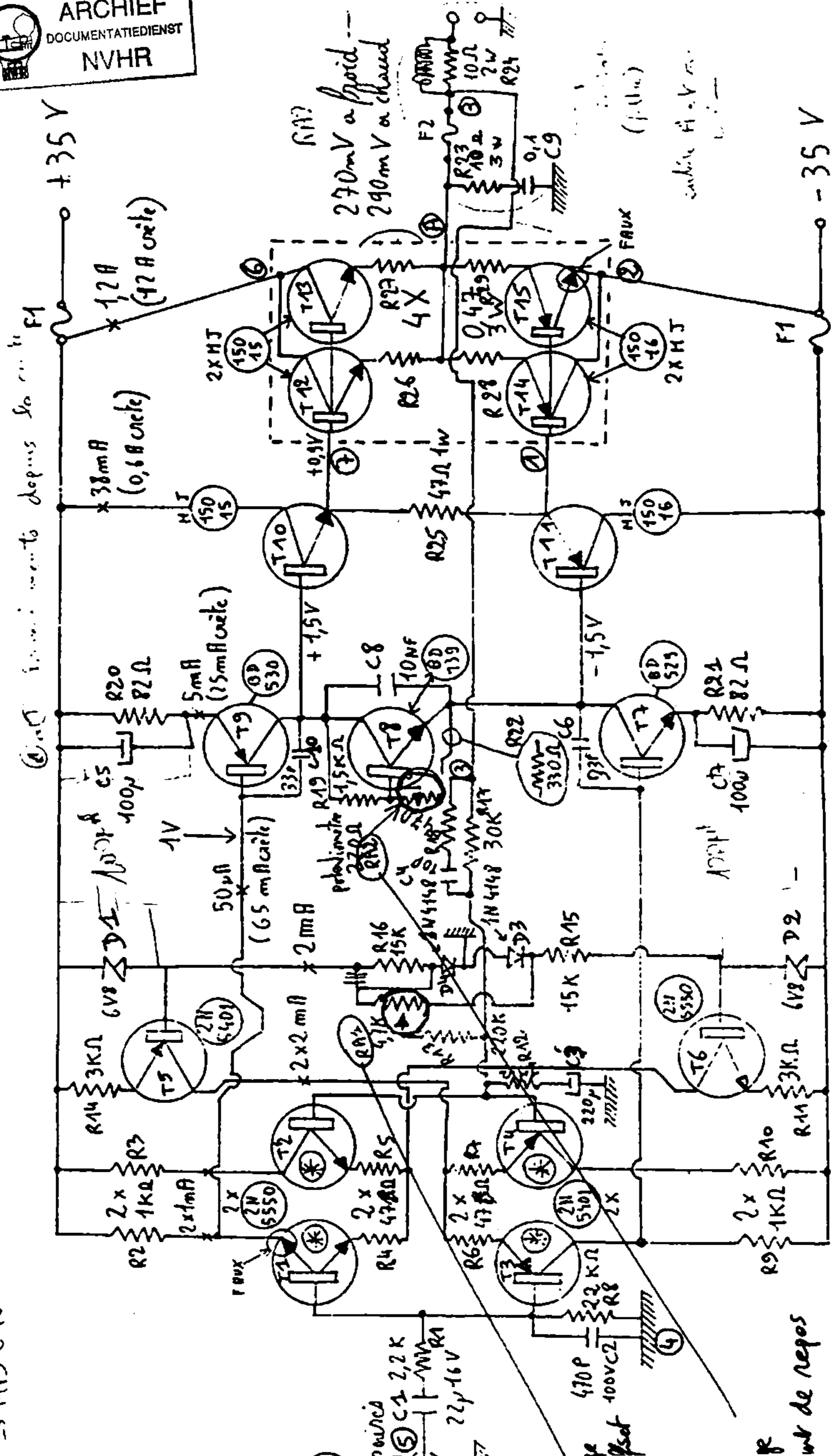


Amplificateur 2x50W en classe A H9 (AUDIOANALYSE) PA2



8-1-84

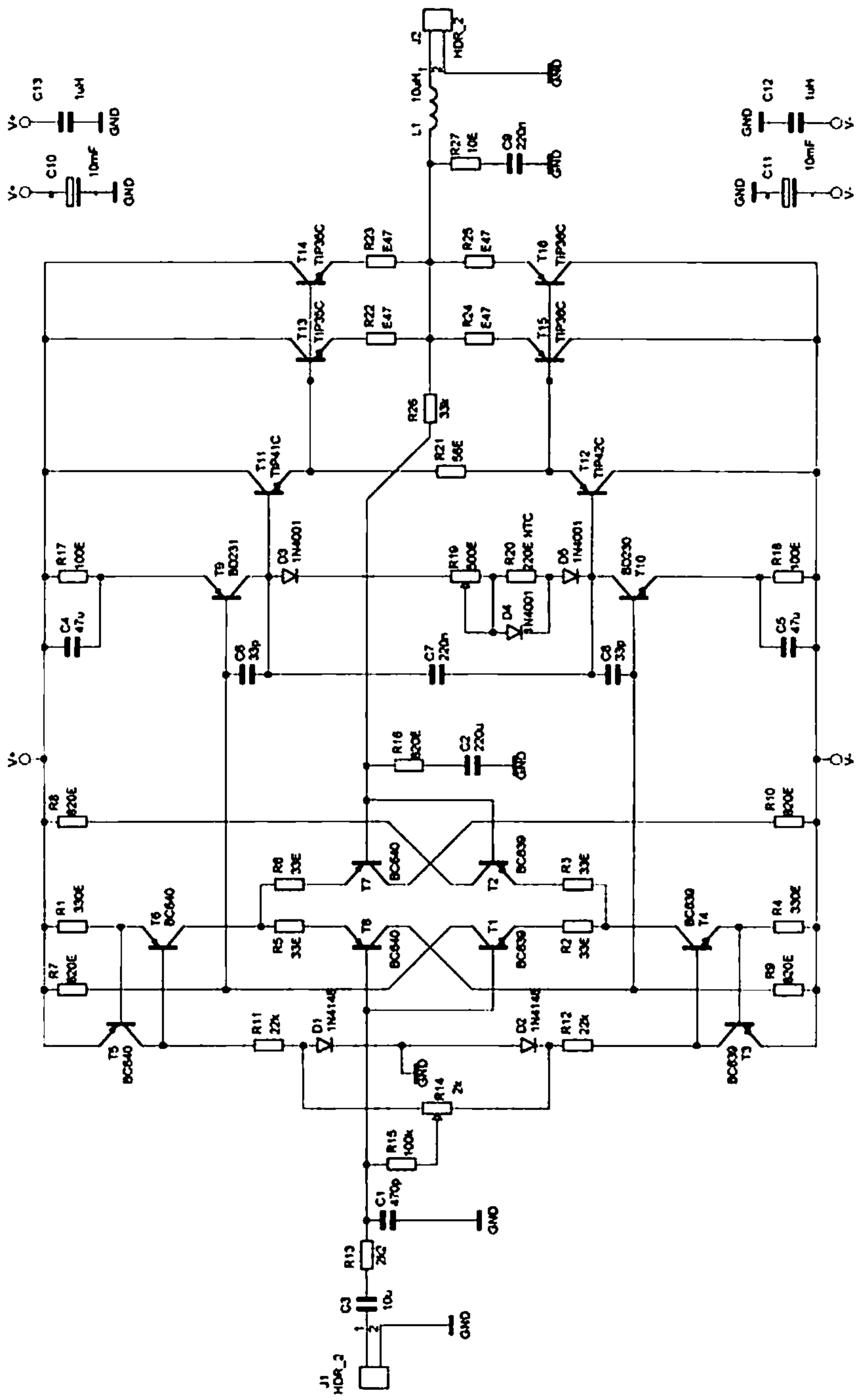
→ MFS 010



En utilisation Sono on peut régler l'impédance avec B avec 200mA de courant de repos soit 50mV sur chaque résistance de 0,47Ω

F1 en 50V 8Ω = 1,8A
 en 90W 4Ω = 3,15A
 F2 en 50W 8Ω = 3,15A
 en 90W 4Ω = 6,3A

MFS 010 → 250 2008
 271-1117



0 1 2 3 4 5 6 7

0 1 2 3 4 5 6 7

D

C

B

A

D

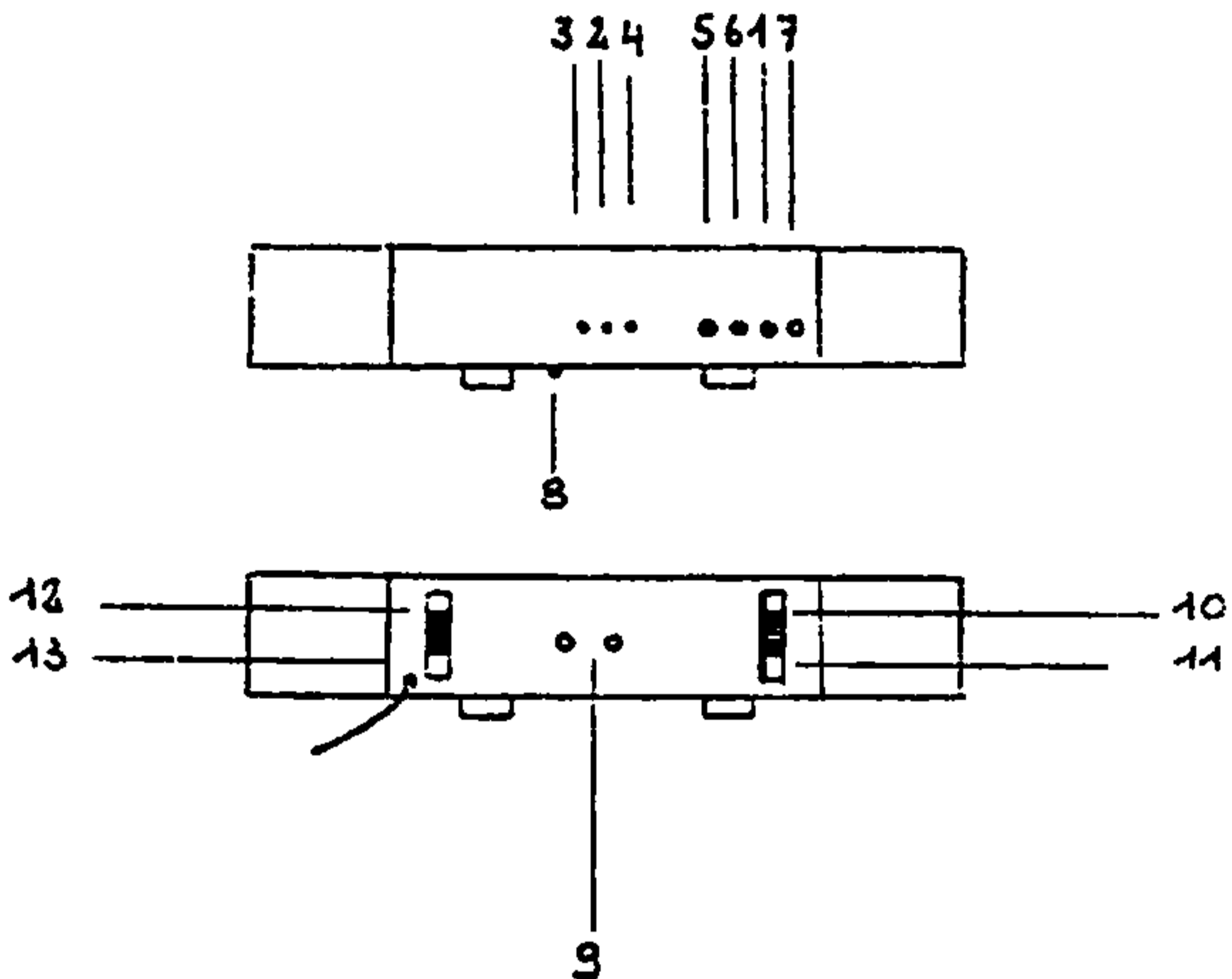
C

B

A

DESCRIPTION

The B90MK2 is a class AB amplifier with a low rate of feedback in order to obtain a low TID. For low power, this amplifier works in class A and switches automatically to class AB above 2 X 20W. Thanks to its differential input and its complementary output equipped with 12 transistors capable of dissipating 750 Watts/canal, the B90 MK2 can provide current above 32 amps. Therefore it is capable of giving the best results with any loudspeaker and gives a very high quality sound with those whose impedance is particularly complicated.



1. On/Off switch
2. On signal
3. Bridging signal (lit if mono bridging)
4. Overloading signal (lit if the dissipated power is above 100W/canal/8 ohms)
5. On switch for loudspeaker group 1
6. On switch for loudspeaker group 1 + 2
7. Headphone socket ($Z > 8$ ohms)
8. Bridging switch (left : mono ; outside - right : stereo)
9. Cinch input sockets
10. loudspeaker 2 left red + ; black -
11. loudspeaker 1 left red + ; black -
12. loudspeaker 2 right red + ; black -
13. loudspeaker 1 red red + ; black -

CONNECTIONS

Loudspeakers : the push terminals 10, 11, 12 and 13 are used to connect the loudspeakers to the amplifier. Be careful to connect the red terminals of the amplifier to the red terminals or + of the loudspeakers and the black terminals of the amplifier to the black terminals or - of the loudspeakers.

Preamplifier : The 9 jacks are to be used to connect the amplifier to the preamplifier.

POWER SUPPLY

The B90 MK2 amplifier must be connected by the electric cord to a 220V power source.

OPERATION

The amplifier is to be turned on by using the On/Off switch. The LED (2) signal should light up when the amplifier is on.

It is advisable to turn on the amplifier after the preamplifier.

Attention : Before turning on the B90 MK2 amplifier, please check that the bridging switch 8 is in stereo position, i.e. towards the right.

If you want to use the B90 amplifier in bridged mode (mono) push the switch 8 toward the left. The loudspeaker, whose allowable power is above 300 Watts, must have its + terminal connected to the red input terminal HP left 1 and its - terminal connected to the red output terminal HP right 1.