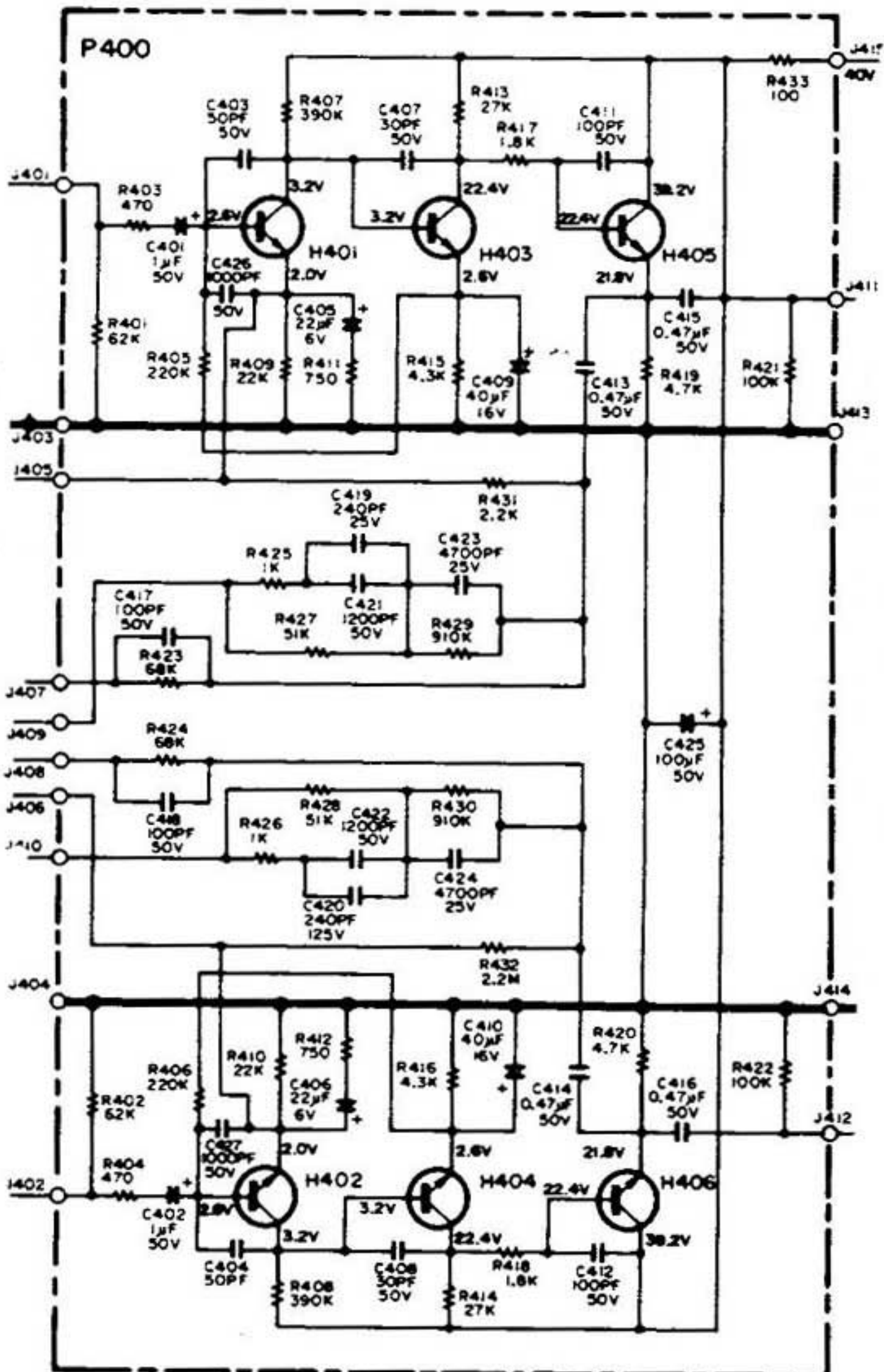


H401. 402
HT 313271 T
2SC1327 T

H403~ 406
HT 313282 T
2SC1328 S.T

P400

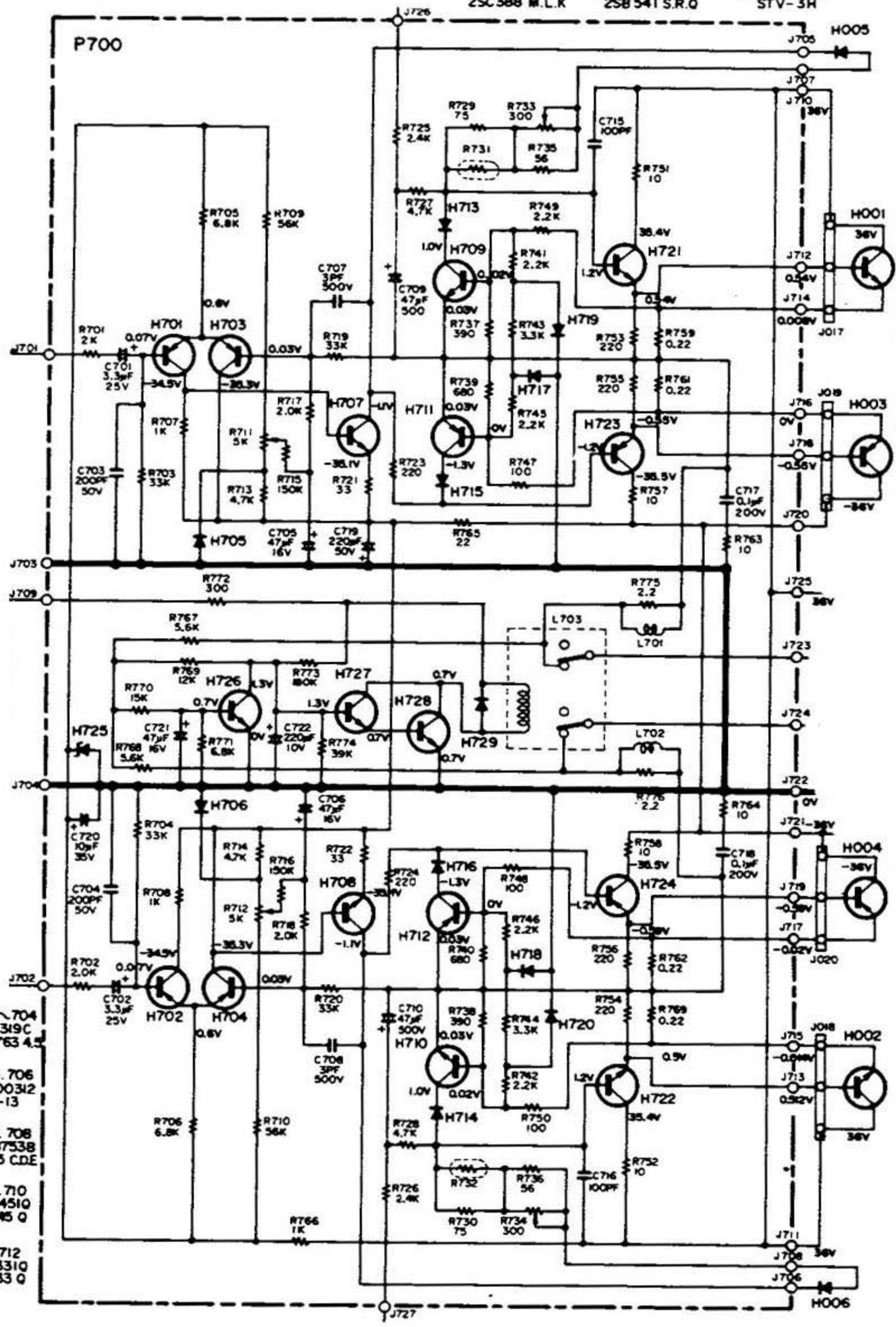


H001.002
HK054119 A
2SC388 M.L.K

H003.004
HK054119 A
2SB 541 S.R.O

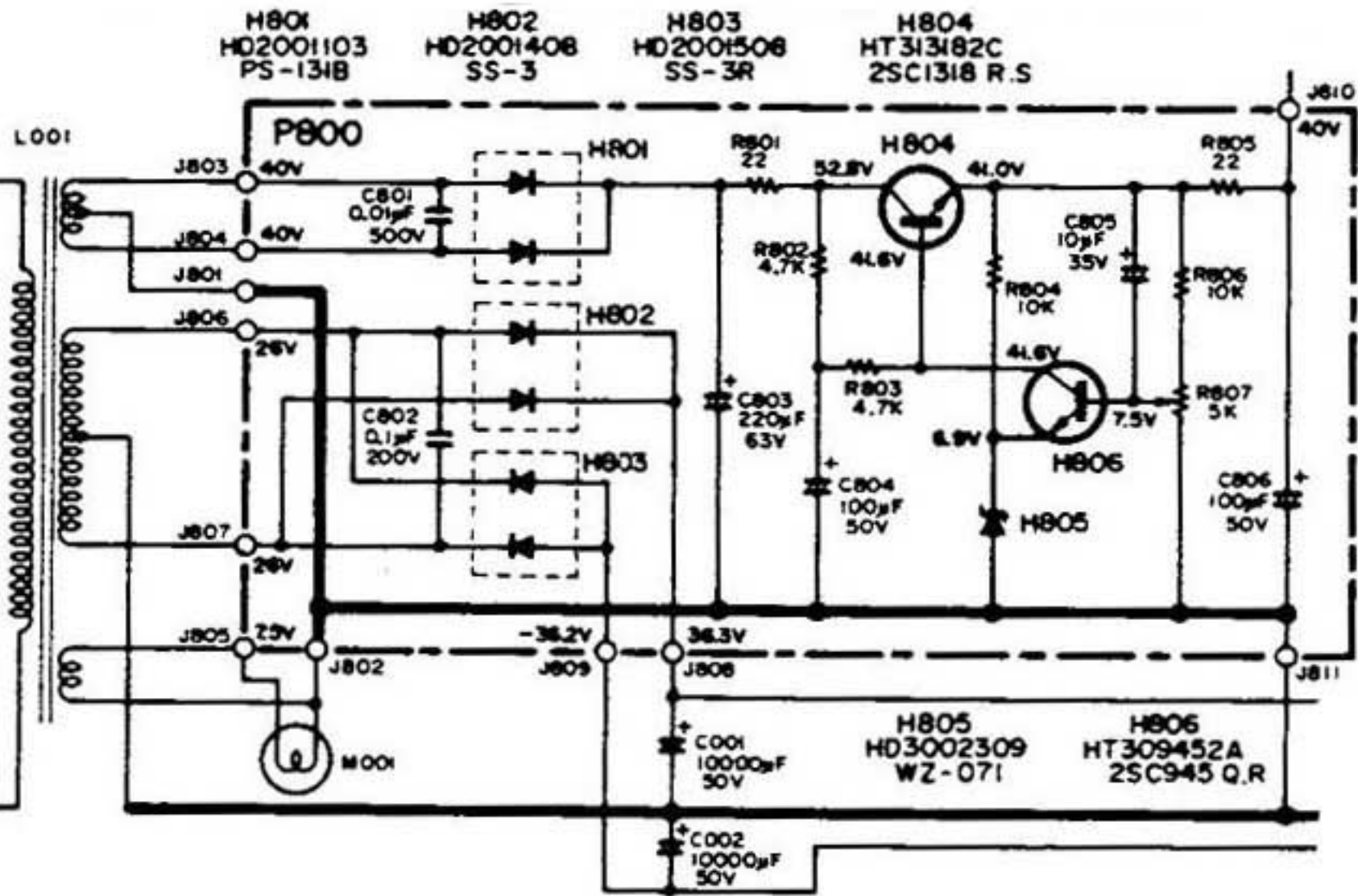
H005.006
HV0000508
STV-3H

P700



- H701~704
HK076319C
2SA763 4.5
- H705.706
HK0000312
MV-13
- H707.708
HT308753B
2SC875 CDE
- H709.710
HT309451Q
2SC945 Q
- H711.712
HT107331Q
2SA733 Q

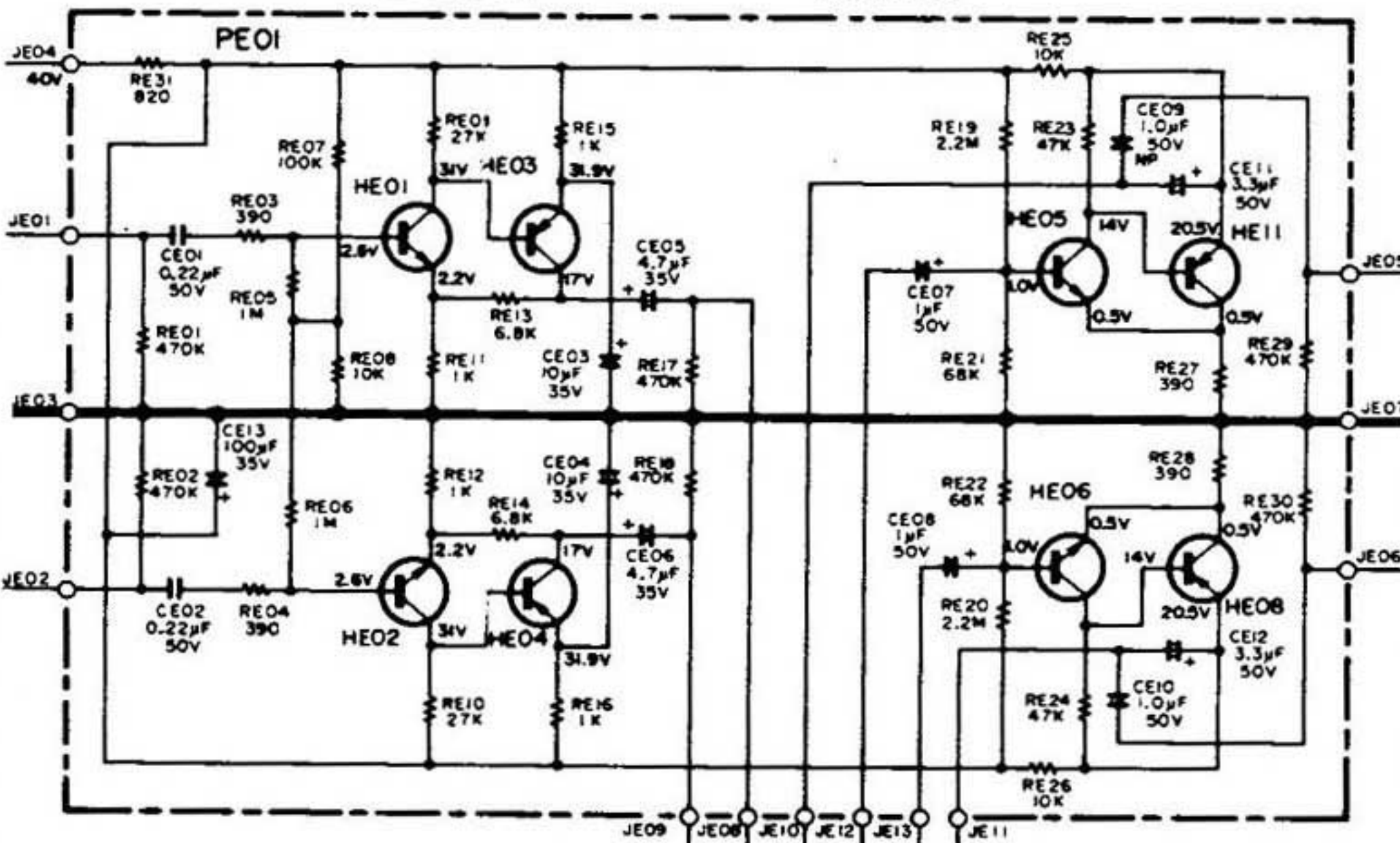
- H713~720
HD2000211
IS2472(Gr)
- H721.722
HK079419B
2SC1567 Q.R
- H723.724
HK079419B
SA794 Q.R
- H725
HD3003009
WZ-177
- H726.727
HT309452A
2SC945 Q.R
- H728
HT313182C
2SC1318 R.S
- H729
HD2000321
IS2471

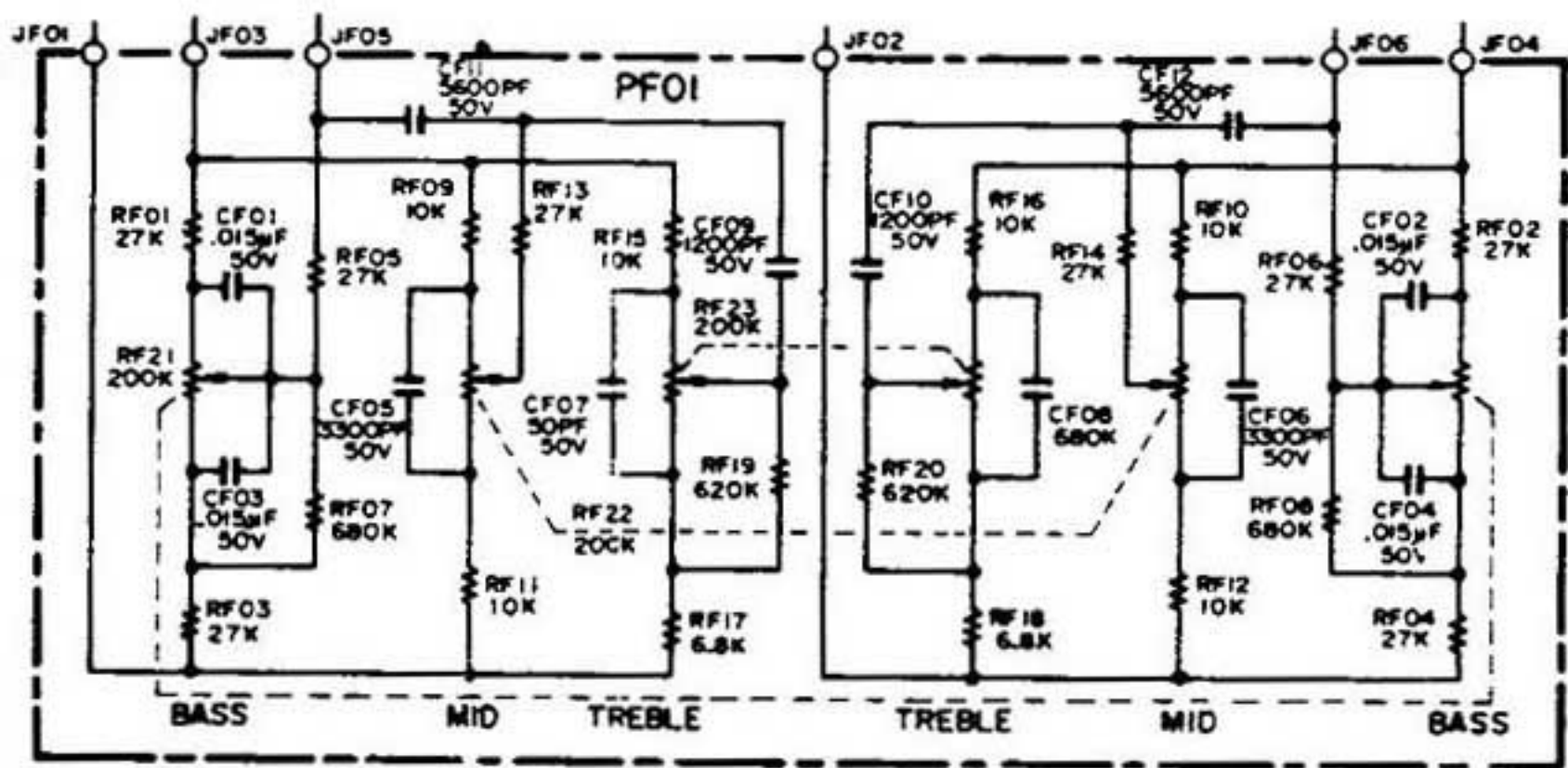


HE01.02, HE05.06
HT313283 A
2SC1328 S.T.U

HE03.04, HE07.08
HT107632A
2SA763 4.5

PE01





PH01

JH01

RH01
1M

RH03
220K

CH01
.047 μ F
50V

RH05
100K

SH01-1

CH02
.047 μ F
50V

RH06
100K

RH02
1M

RH04
220K

JH02

JH04

RH07
4.7K

RH09
2.2M

CH03
.0068 μ F
50V

SH01-2

RH08
4.7K

RH10
2.2M

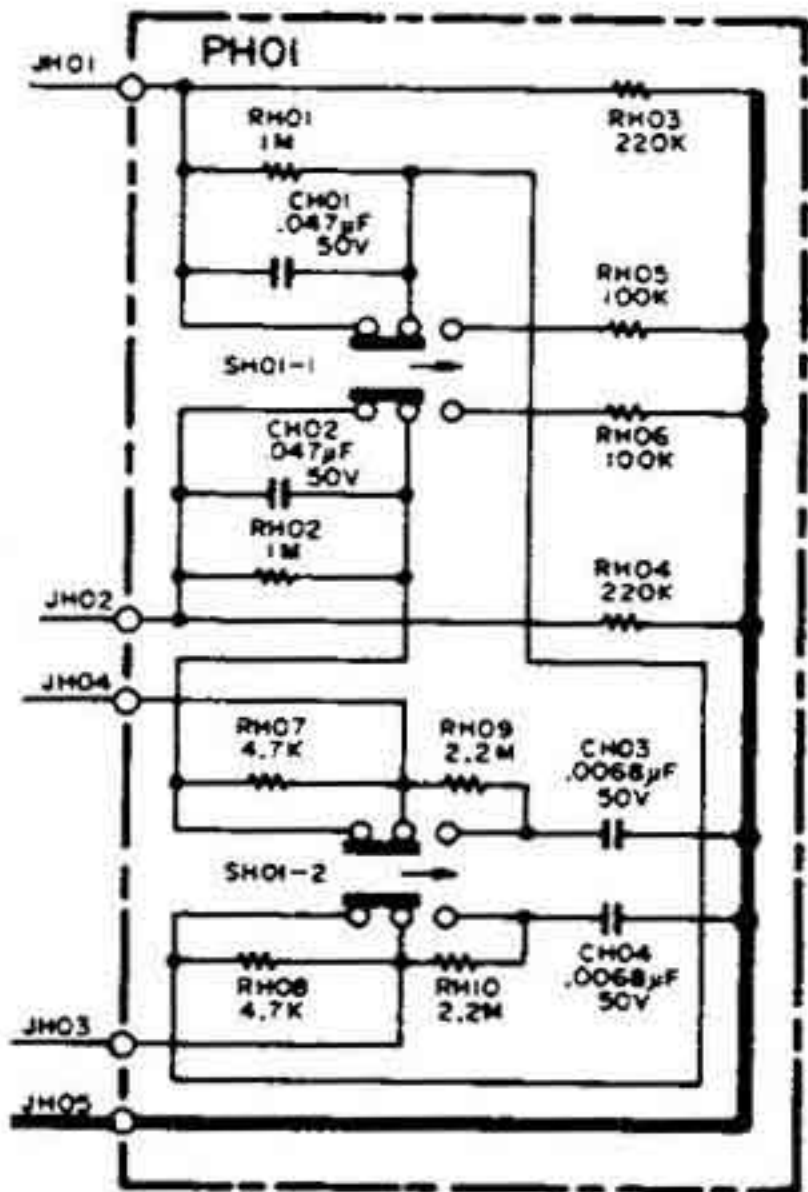
CH04
.0068 μ F
50V

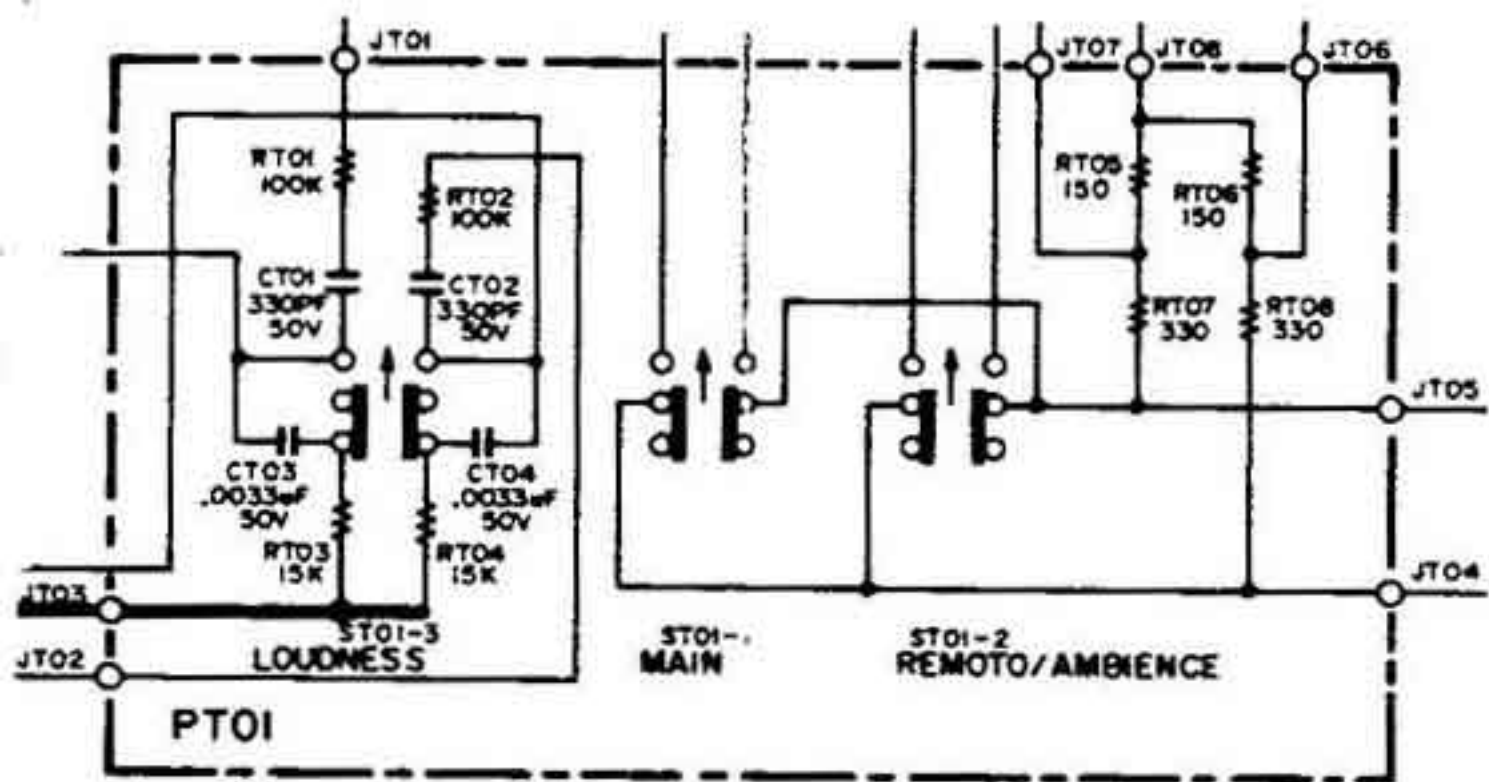
JH03

JH05

LOW
FILTER

HIGH
FILTER



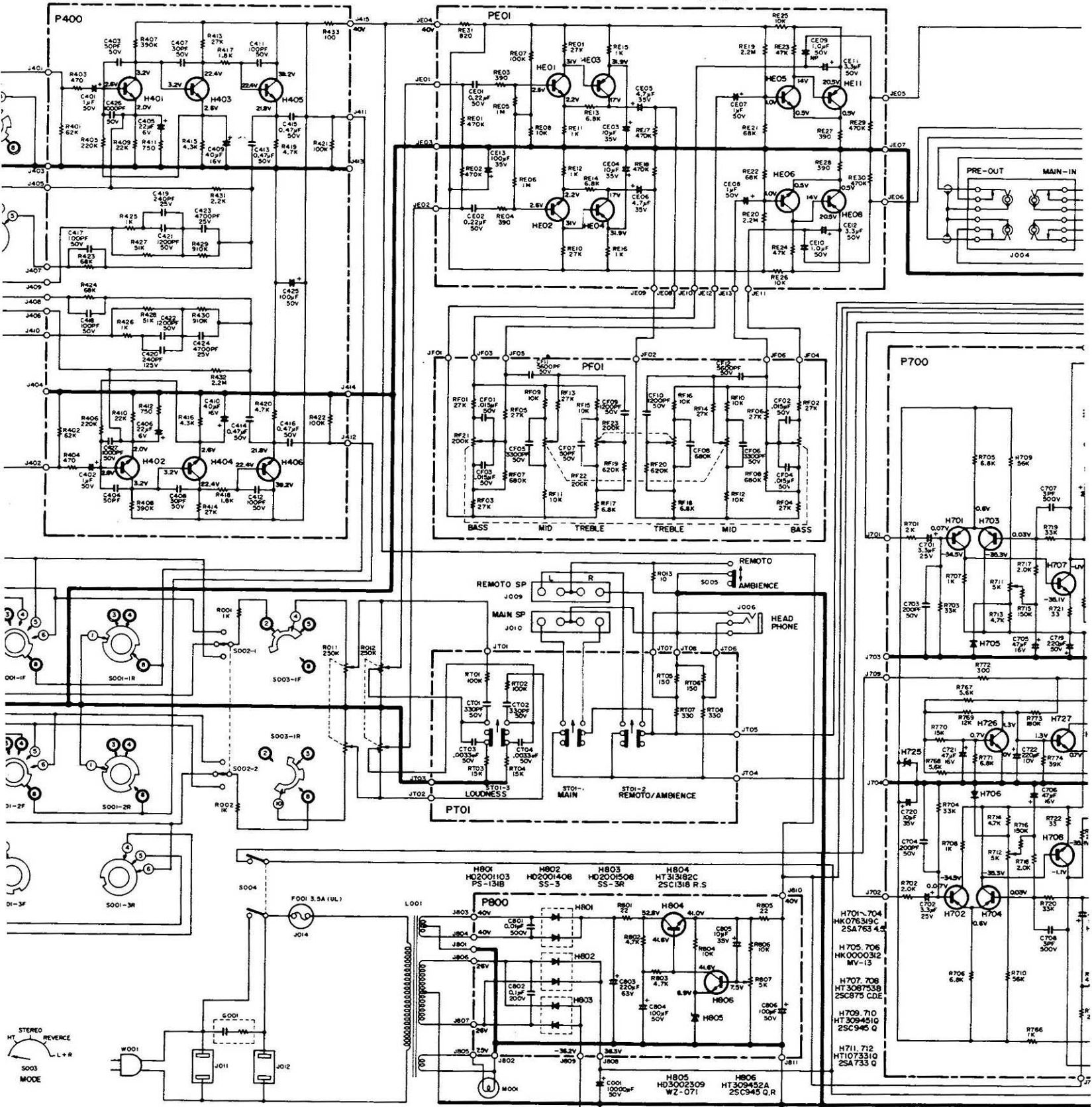


H401-402
HT 31327 T
25C1327 T

H403-406
HT 31328 T
25C1328 S.T

HE01,02, HE05,06
HT31328 A
25C1328 S.T.U

HE03,04, HE07,08
HT107632A
25A763 4.5



H713-720
HK076349C
25A763 4.5

H705, 706
HK0000312
MV-13

H707, 708
HT 308753B
25C875 CDE

H709, 710
HT 309451G
25C945 Q

H711, 712
HT107331G
25A733 Q

H713, 720
H0200211
152472(Gr)

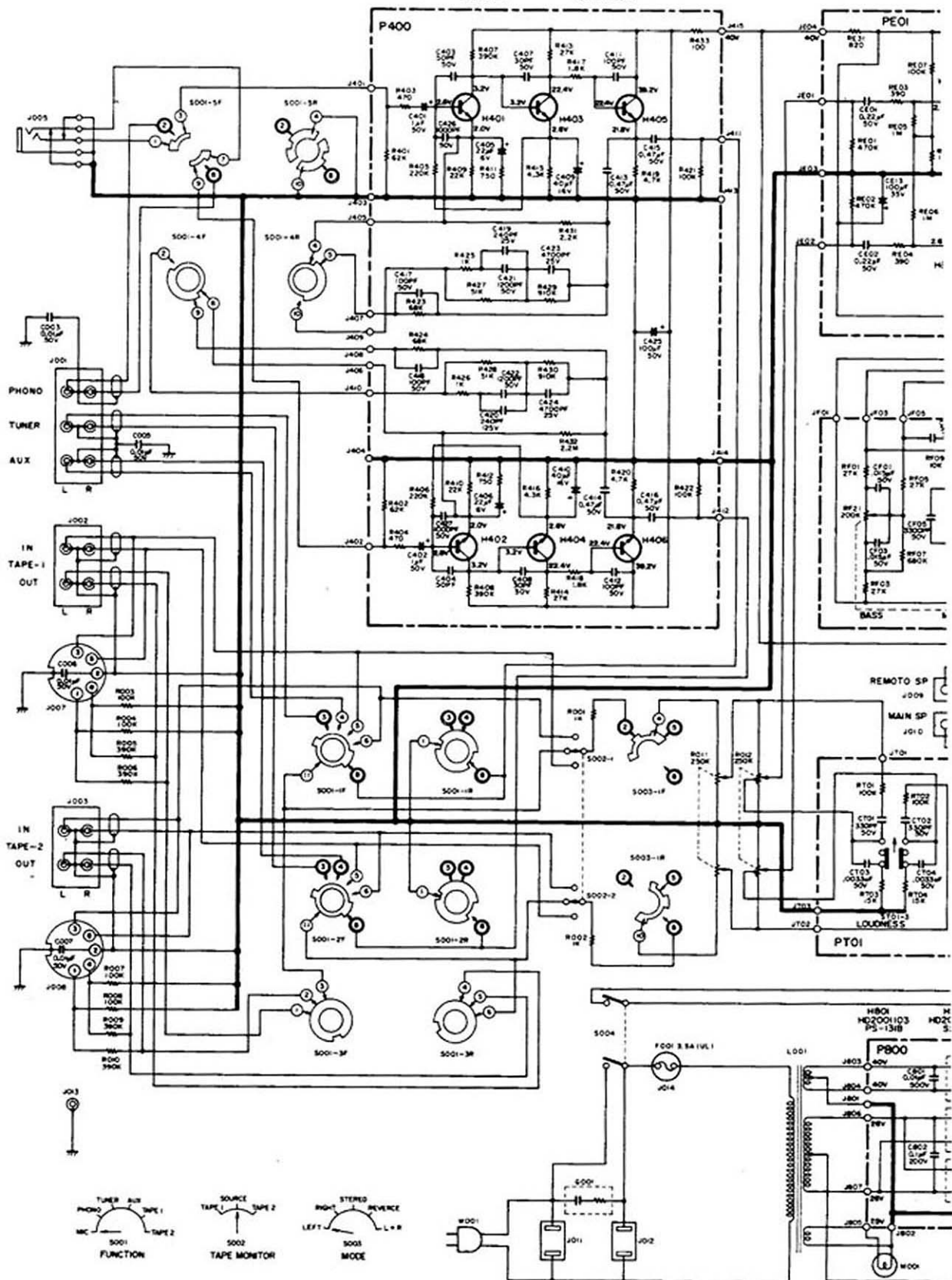
H721, 722
HK075419B
25C1567 Q.R

H723, 724
HK075419B
SA794 Q.R

H725
H0300300
WZ-177

H401-402
HT 313271 T
25C1327 T

H403-406
HT 313282 T
25C1328 5 T



HE01.02, HE05.06
HT31383A
25C1328 S.T.U

HE03.04, HE07.08
HT107632A
25A763 4.5

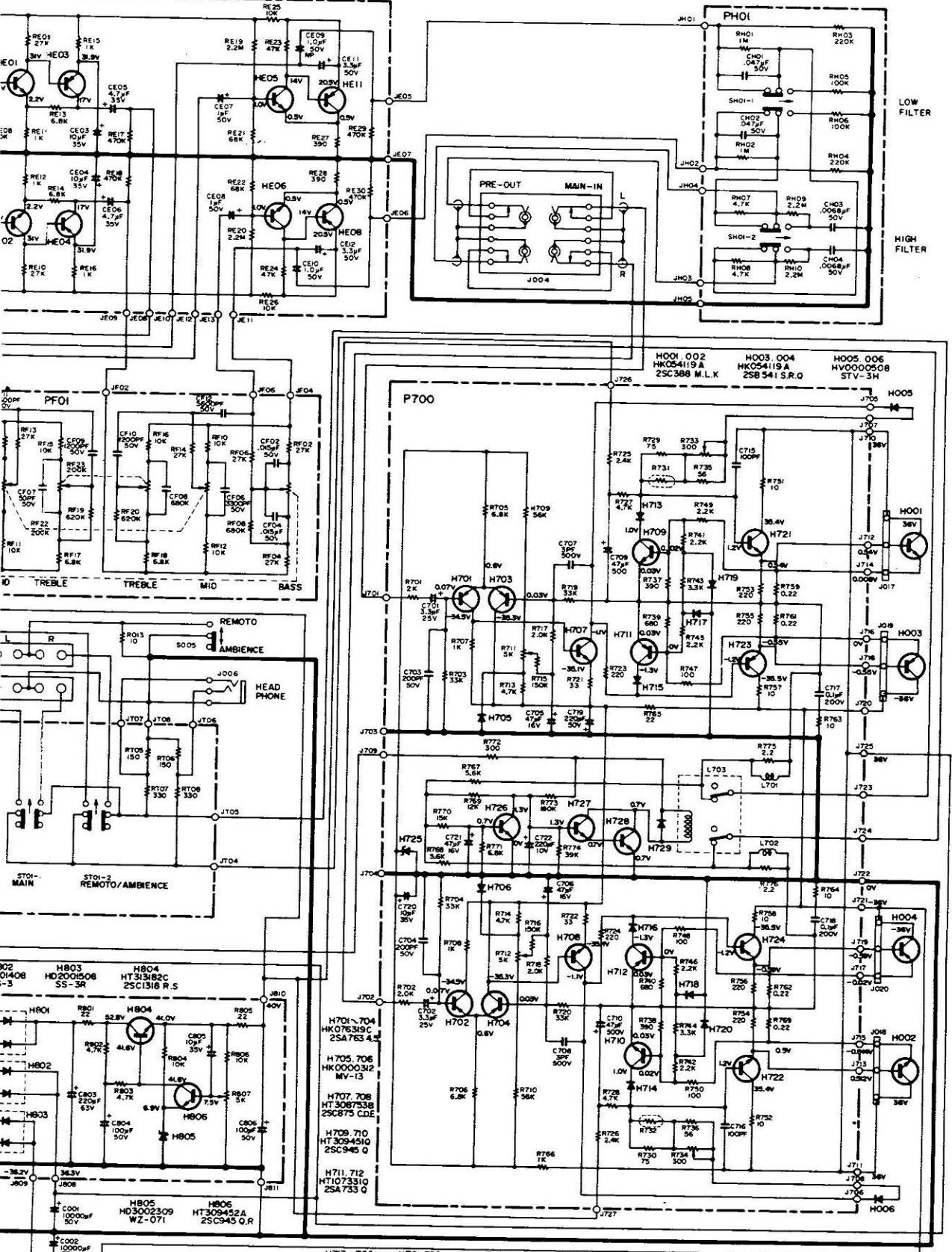


Figure 15. Schematic Diagram