

## CIRCUIT ADJUSTMENT (回路調整)

STEP ステップ	ADJUST ITEM 調整項目	PROCEDURE 電圧検出		ADJUST 調整箇所	REMARKS 調整・備考
		TEST EQ'PT 検出器	CONNECTING POINT 接続点		
<b>EQUALIZER AMP ASSEMBLY (711-0010-00)</b> イコライザアンプAss'y					
1	DC Balance of "L" Equalizer Amp. イコライザアンプ"L"DCバランス	V.O. Meter Set range to less than DC0.3V テスター	REC OUT "L" on rear panel バックパネルREC OUT "L"	VR 1	Adjust for "O" reading of V.O. Meter テスターの指示"O"に調整
2	DC Balance of "R" Equalizer Amp. イコライザアンプ"R"DCバランス	DC0.3V以下のレンジ	REC OUT "R" on rear panel バックパネルREC OUT "R"	VR 2	
<b>POWER AMP ASSEMBLY (717-0012-00)</b> パワーアンプAss'y					
1	Bias Current Adj. for L ch. Lch: バイアス電流	V.O. Meter Set range to less than DC0.3V テスター	(1)and(2) terminals of Cement Resistor セメント抵抗の両端(1)と(2)	VR 1	Adjust for DC +44mV reading of V.O. Meter テスターの指示 DC+44mVに調整する
2	Bias Current Adj. for R ch. Rch: バイアス電流	DC0.3V以下のレンジ	(1)and(2) terminals of Cement Resistor セメント抵抗の両端(1)と(2)	VR 2	

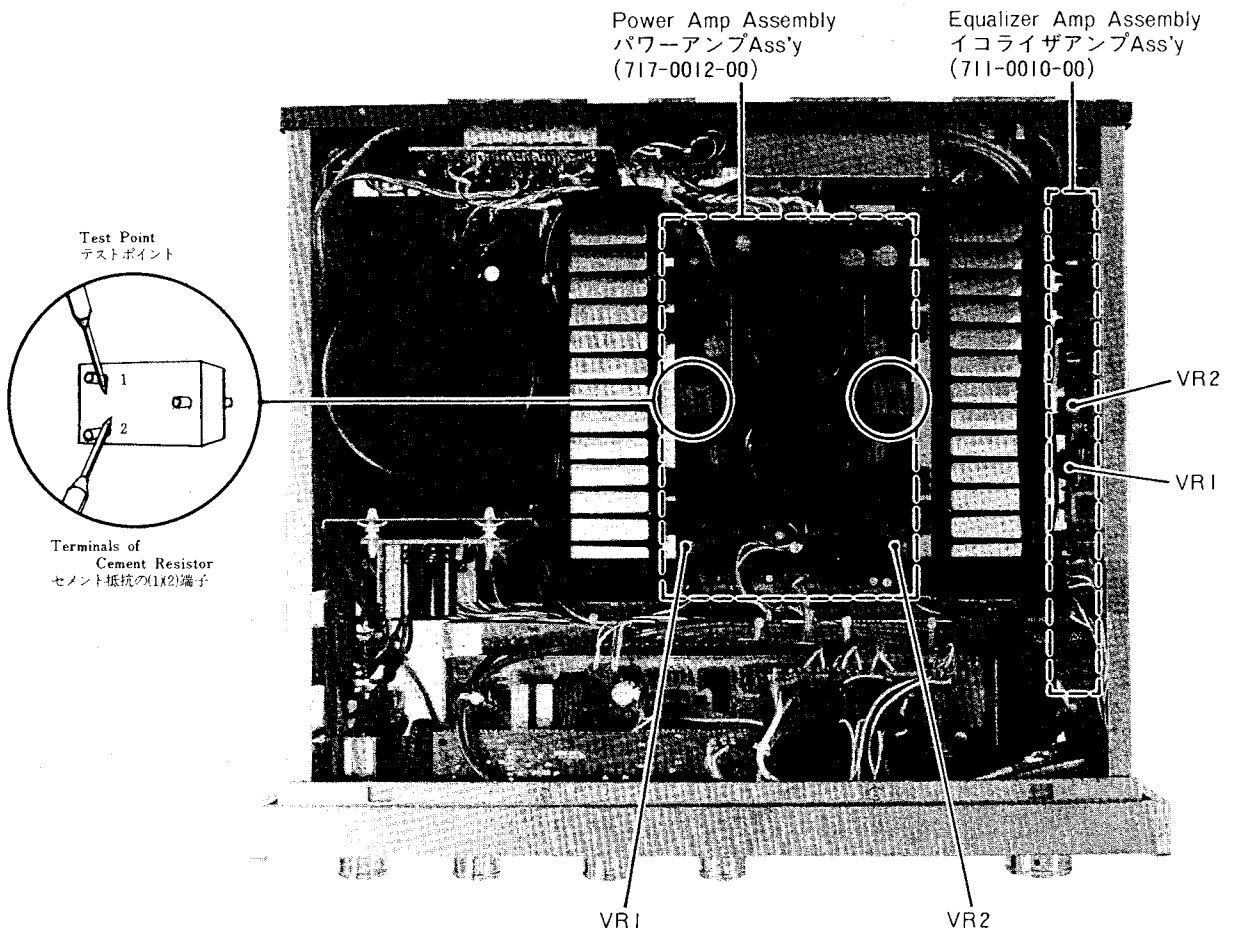
Notes ; ※1 Internal input resistance of volt-ohm meter should be higher than 10k ohms.  
テスターは、入力抵抗10kΩ以上のものをお使い下さい。

※2 Following readjustment is not required when a whole Print Circuit Board has been changed. However, in case of any component parts on the Printed Circuit Board having been changed, apply readjustment according to the following table.

次の調整は、通常PCボードを変換した場合は不要ですが、PCボードの部品を交換した場合は、表に従って調整を行って下さい。

※3 In the DC Balance adjustment, though a normal volt-ohm meter can only indicate the offset balance, with a very small amount of meter scale, adjust it carefully so as the meter to indicate exact ZERO potential.

DCバランス(OFFSET)調整は、テスターで見た場合は微小な範囲でしか動きませんので、注意してテスターの指針が全く動かない程度に調整して下さい。



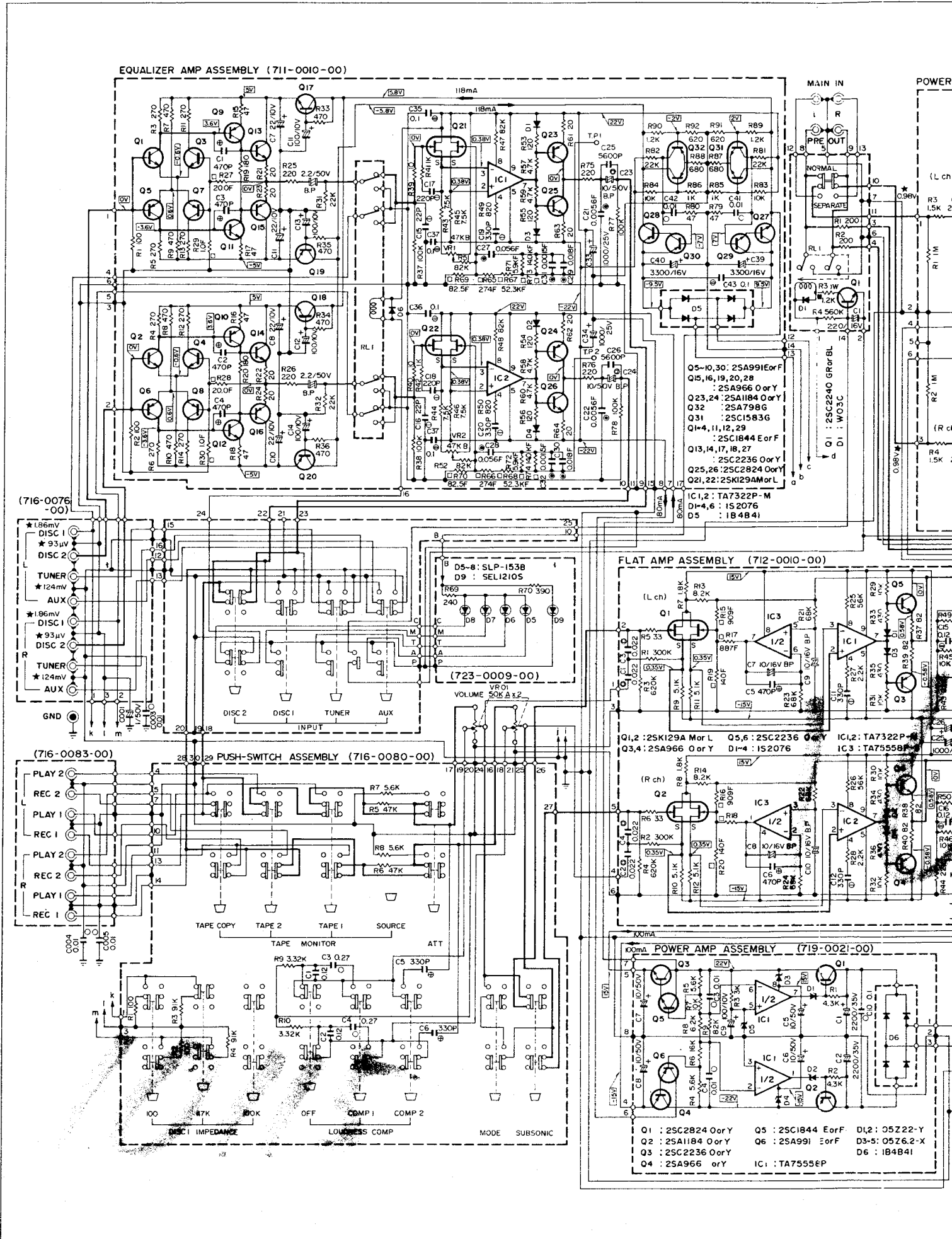
Accuphase

# E-204 SCHEMATIC DIAGRAM

**NOTES**

1. The heavy lines on the schematic denote the signal path.
2. Big spots denote the ground.
3. The mark of capacitors and resistors on the schematic are...
  - CERAMIC CAPACITORS.
  - ⊖ MICA CAPACITORS.
  - ⊕ TANTALUM SOLID CAPACITORS.

- METALLIZED FILM CAPACITORS
- POLYSTYRENE FILM CAPACITOR
- ⊖ METALLIZED POLYESTER FILM CAPACITORS
- ⊕ METALLIZED POLYPROPYLENE FILM CAPACITORS
- ⊖ WIRE WOUND RESISTORS
- ⊕ SOLID RESISTORS

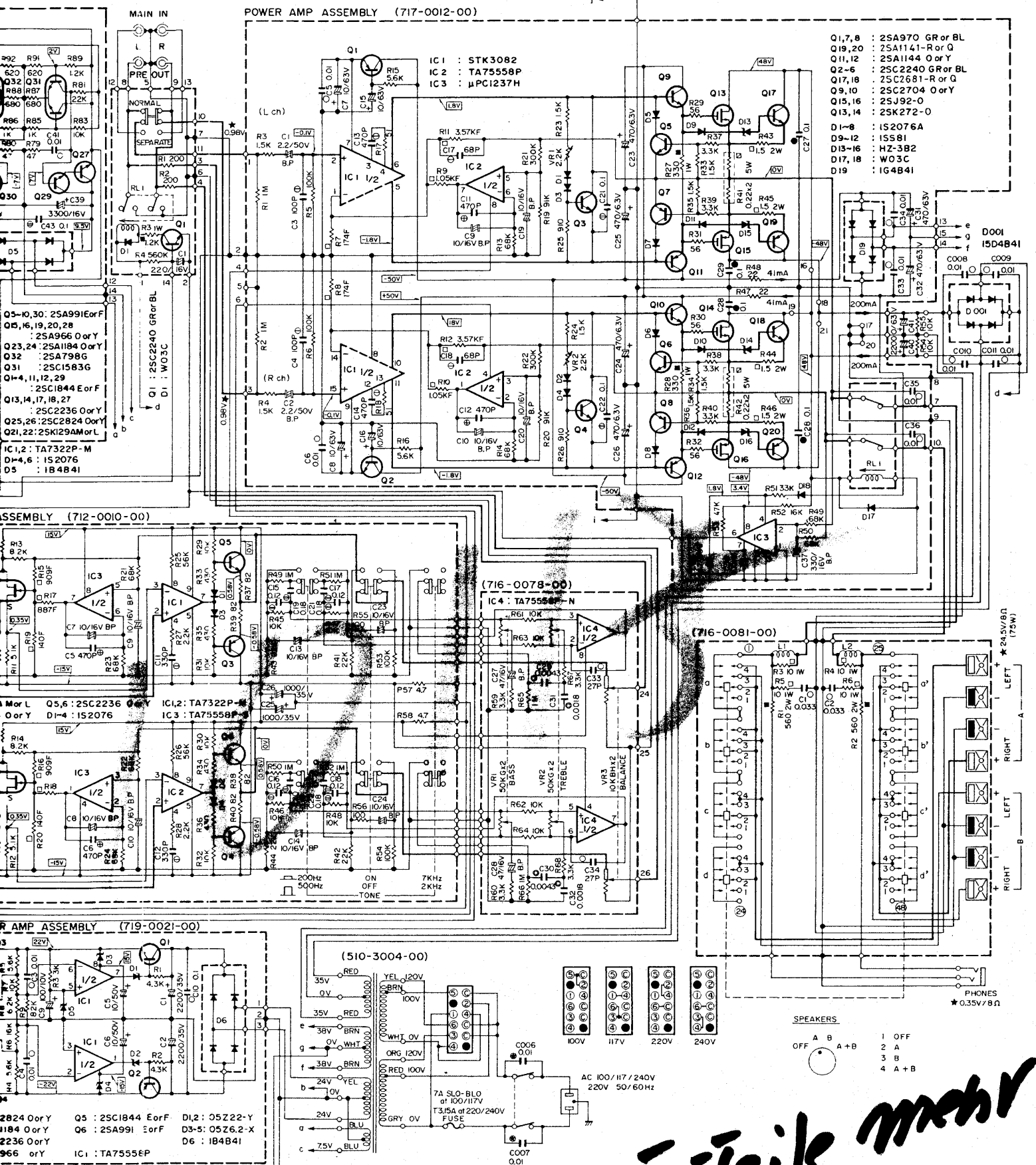


the signal path.  
the schematic are...

- METALLIZED FILM CAPACITORS.
- POLYSTYRENE FILM CAPACITORS.
- ⊗ METALLIZED POLYESTER FILM CAPACITORS.
- ⊗ METALLIZED POLYPROPYLENE FILM CAPACITORS.
- ⊗ WIRE WOUND RESISTORS
- ⊗ SOLID RESISTORS

- METAL FILM RESISTORS.
  - OXIDE METAL FILM RESISTORS.
  - ▣ METAL PLATE RESISTORS
- Unless otherwise specified : Capacitors are ELECTROLYTIC types.  
Resistors are CARBON FILM types  
1.4 watt and ±5% tolerance.

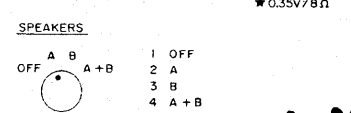
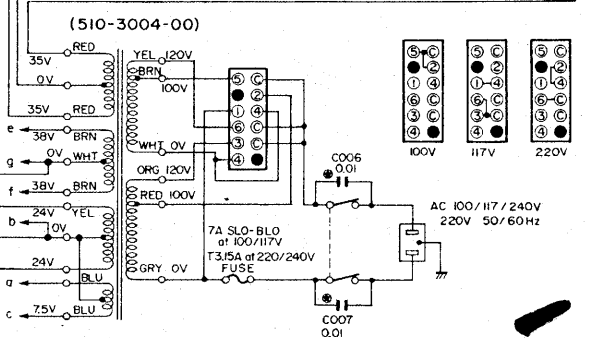
4. VOLTAGE : Operating with no input.  
★ Indicates respective voltage reading when an input of 1kHz, 93 μV is fed to "DISC 1" with Head Amp at ON
5. CURRENT : Operating with no input.



- Q1,7,8 : 2SA970 GR or BL
- Q19,20 : 2SA1141-R or Q
- Q11,12 : 2SA1144 O or Y
- Q2-6 : 2SC2240 GR or BL
- Q17,18 : 2SC2681-R or Q
- Q9,10 : 2SC2704 O or Y
- Q15,16 : 2SJ92-0
- Q13,14 : 2SK272-0
- D1-8 : IS2076A
- D9-12 : IS581
- D13-16 : HZ-3B2
- D17,18 : W03C
- D19 : 1G4B41

- Q5,6 : 2SC2236 O or Y
- Q1-4 : IS2076
- IC1,2 : TA7322P-M
- D1-4,6 : IS2076
- D5 : 1B4B41

- Q5 : 2SC1844 E or F
- Q6 : 2SA991 E or F
- Q1 : 2SC2240 GR or BL
- Q1 : W03C
- Q1 : 2SC1844 E or F
- Q13,14,17,18,27 : 2SC2236 O or Y
- Q25,26 : 2SC2824 O or Y
- Q21,22 : 2SK129A or L
- IC1,2 : TA7322P-M
- D1-4,6 : IS2076
- D5 : 1B4B41



*KEMEC Teile mehr!*

am may be changed in case of performance improvement.

(822-3016-00)